

A49 ACOUSTICAL WALL

PRODUCT DESCRIPTION

A49 Acoustical Wall System

A49 Acoustical Wall System consists of a nominal 24 ga. fluted exterior panel with a minimum 3" thick, 16" wide, 4# density fibrous acoustical insulation in panel void. A 1/2" thick sound buffer board shall separate the exterior wall system and a nominal 26 ga. flush metal septum panel. The septum panels shall be installed perpendicular to the exterior wall panels with void filled with 3" thick, 16" wide, 4# density fibrous acoustical insulation. A vibration retardant tape will be installed between the septum panel ribs and a perforated formed liner panel. The system shall have NRC of 1.00 and STC of 49. Wall accessories may effect overall performance.

The Acoustical Wall Systems have been tested in explicit conformity with the requirements of the ASTM Designations E90-87 and E413-87.

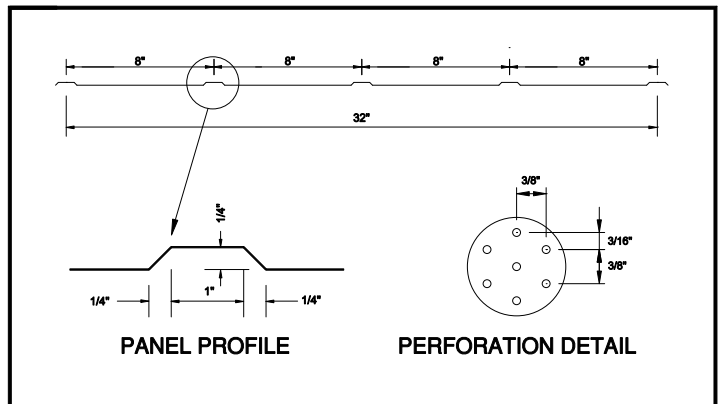
Cavity Insulation	R 11
Continuous Insulation	R 0.45
Cavity Insulation	R 11

Calculated system "U" value 0.07 (ASHRAE zone method)

PRODUCT NAME
A49 Acoustical Wall System

MANUFACTURER

Parkline, Inc.
P.O. Box 65
Winfield, West Virginia 25213
Phone: (304) 586-2113 in WV
(800) 786-4855 outside WV
(304) 586-3842 FAX
web: <http://www.parkline.com>
E-mail: parkline@parkline.com



PARKLINE, INC.

13122 A49