

FIXED LOUVERS

PRODUCT DESCRIPTION

FIXED LOUVER

Fixed louvers shall be nominal 26 gauge, G90 galvanized steel, general purpose type of self framing design with free area of 75 sq. inches. Finish shall be bright galvanized. All louvers shall be complete with #8 insect screen.

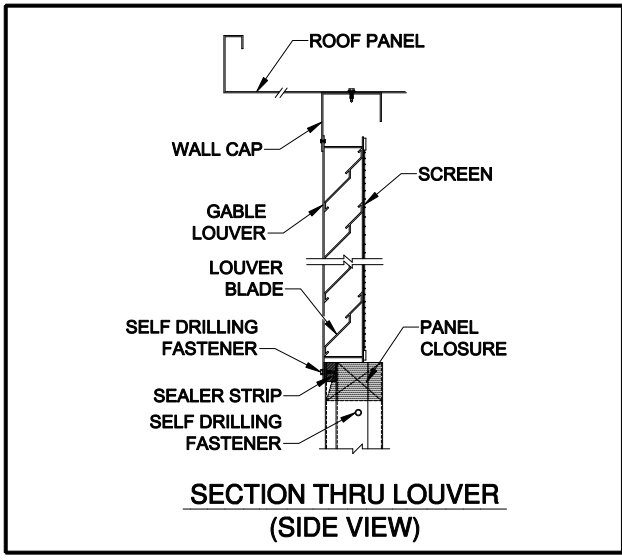
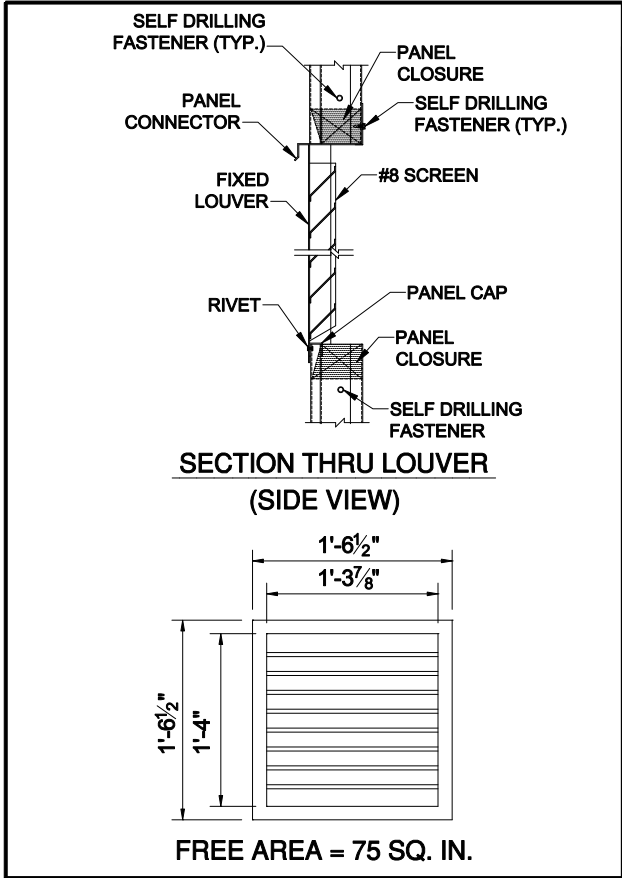
Available size is 16" wide x 16" high.

Note: Designer must specify louver sill height. Minimum sill or head height is 6".

GABLE LOUVER (Type AL buildings only)

Gable louvers shall be fixed type with blades set on a 45 degree slope. Blades and frames shall be nominal 14 gauge extruded aluminum with natural mill finish. Louver shall include #18-14 aluminum mesh insect screens.

BUILDING WIDTH	SIZE	FREE AREA
8'-0"	not available	
12' AND 20'	32"x 6"	37 SQ. IN.
16' AND 24'	16"x 10"	48 SQ. IN.
28'	32"x 12"	130 SQ. IN.
32'	48"x 12"	198 SQ. IN.



PRODUCT NAME

Fixed Louvers

MANUFACTURER

Parkline, Inc.
 P.O. Box 65
 Winfield, West Virginia 25213
 Phone: (304) 586-2113 in WV
 (800) 786-4855 outside WV
 (304) 586-3842 FAX

web: <http://www.parkline.com>
 E-mail: parkline@parkline.com



13122 FL