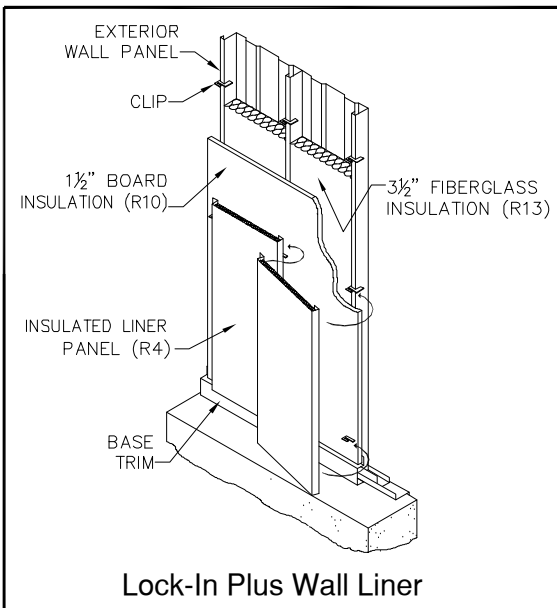
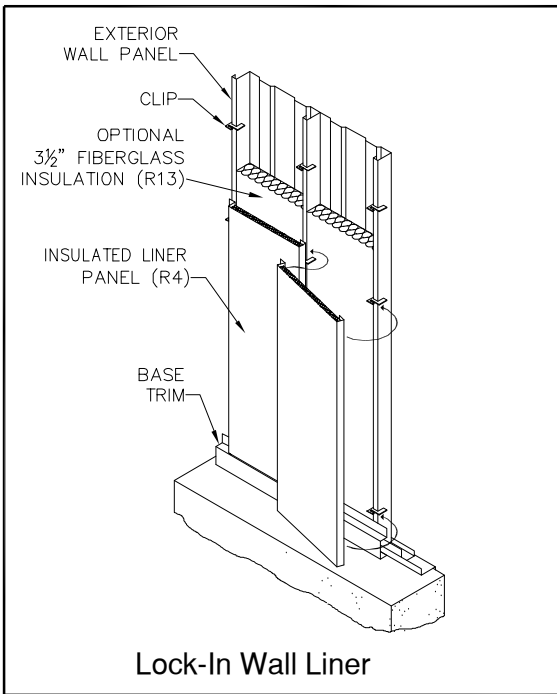


LOCK-IN WALL LINERS



PRODUCT DESCRIPTION

LOCK-IN WALL LINER

The interior of the building shall be finished with a factory assembled insulated metal liner panel having no exposed fasteners except at the matching base, ceiling and accessory trim.

Liner panels shall be 16" wide, nominal 26 gauge, embossed, galvanized steel, prepainted Arctic White. Insulation shall be non-combustible, nominal 1" thick, 2# minimum density fiberglass laminated to the liner panel.

Cavity Insulation	R 4
-------------------	-----

Calculated system "U" value 0.28 (ASHRAE zone method)

Optional: The void between the exterior wall panel and the lock-in liner panel shall be insulated with 16" wide, 3 1/2" thick R-13 unfaced fiberglass insulation.

Cavity Insulation	R 4
Cavity Insulation	R 13

Calculated system "U" value 0.13 (ASHRAE zone method)

LOCK-IN WALL LINER PLUS

The interior of the building shall be finished with a factory assembled insulated metal liner panel having no exposed fasteners except at the matching base, ceiling and accessory trim.

The wall liner system shall have a concealed insulating board of 1 1/2" thick polyisocyanurate foam impaled on rib clips.

Liner panels shall be 16" wide, nominal 26 gauge, embossed, galvanized steel, prepainted Arctic White. Insulation shall be non-combustible, nominal 1" thick, 2# minimum density fiberglass laminated to the liner panel.

The void between the exterior wall panel and the lock-in liner panel shall be insulated with 16" wide, 3 1/2" thick R-13 unfaced fiberglass insulation.

Cavity Insulation	R 4
Continuous Insulation	R 10
Cavity Insulation	R 13

Calculated system "U" value 0.13 (ASHRAE zone method)

PRODUCT NAME

Lock-in Wall Liners

MANUFACTURER

Winfield, West Virginia 25213
 Phone: (304) 586-2113 in WV
 (800) 786-4855 outside WV
 (304) 586-3842 FAX

web: <http://www.parkline.com>
 E-mail: parkline@parkline.com



13122 LIL