

PARTITION

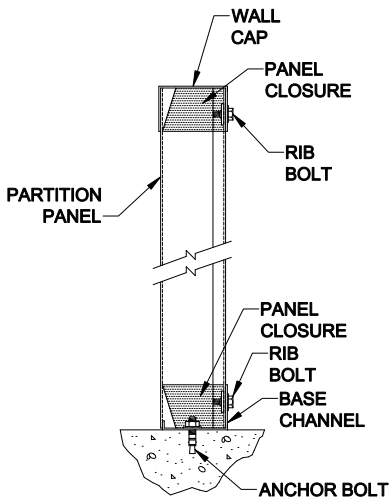
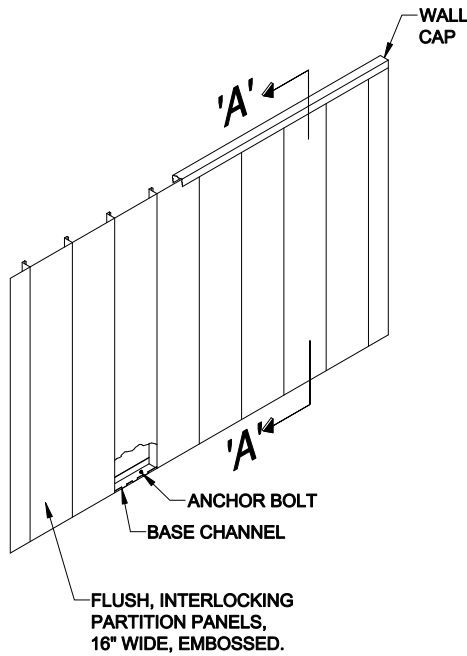
PRODUCT DESCRIPTION

PARTITION

Partitions shall be constructed of 3" x 16" interlocking flush type smooth or embossed surfaced panels in a nominal 24 gauge galvanized steel, factory painted Arctic White. Partitions will be furnished complete with base channel, wall cap and all required fasteners.

Partitions will accept all wall accessories such as walk doors, framed openings, louvers, wall opening kits, and windows. In addition to wall accessories, partitions can be supplied with all interior liners and insulation for a complete field assembled system.

Optional: Partitions can be supplied embossed in nominal 20 gauge and unembossed in nominal 18 gauge, galvanized steel, factory painted Arctic White.



SECTION - 'A'

PRODUCT NAME

Partition

MANUFACTURER

Parkline, Inc.
 P.O. Box 65
 Winfield, West Virginia 25213
 Phone: (304) 586-2113 in WV
 (800) 786-4855 outside WV
 (304) 586-3842 FAX

web: <http://www.parkline.com>
 E-mail: parkline@parkline.com



13122 PART