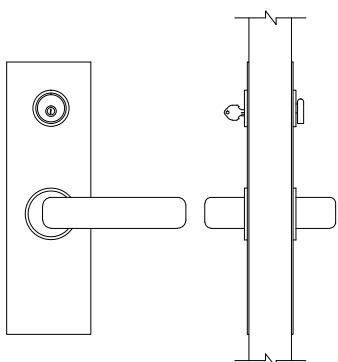
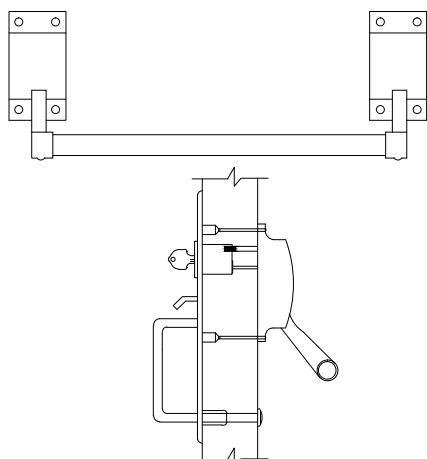


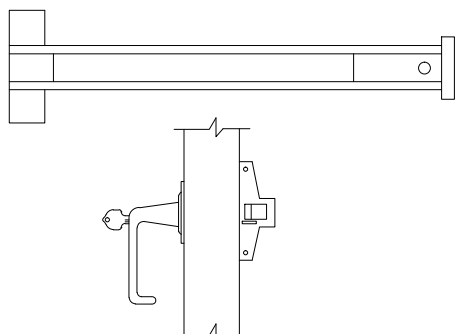
HOLLOW METAL DOOR HARDWARE



MORTISE LOCKSET



CROSS BAR



PUSH PAD

PRODUCT DESCRIPTION

STANDARD DOOR HARDWARE

- a) - (3) 4 $\frac{1}{2}$ " steel hinges per ANSI #A5133 630 Satin Stainless Steel Finish with non-rising pins.
- b) - 5" wide, $\frac{7}{8}$ " high extruded aluminum threshold. (out swing)
- c) - $\frac{1}{4}$ " x $\frac{7}{8}$ " rubber / aluminum rigid weather stripping.
- d) - Mortise lockset per ANSI A156.13, Series 100, Grade 1, Function F13, 626 Satin Chrome Finish. Supplied with levers both sides.

OPTIONAL DOOR HARDWARE:

- e) - Rim type "Cross Bar" panic device per ANSI A156.3, Type 1, Grade 1, Function 05, with 630 Stainless Finish.
- f) - Rim type "Push Pad" panic device built to ANSI A156.3, Type 1, Grade 1, Function 08, Aluminum Lacquer Finish / 626 Satin Chrome Exterior.
- g) - Cylindrical key in knob lockset per ANSI A125.2, Series 4000, Grade 2, Function F81, with 626 Satin Chrome Finish.
- h) - Passage set per ANSI A125.2, Series 4000, Grade 2, Function F75, 626 Satin Chrome Finish.
- i) - Door closer is certified to conform to ANSI 156.4, Grade 1 and meets exterior barrier free codes in Aluminum Lacquer Finish 689.
- j) - 23" wide x 20" high adjustable blade louver with mesh insect screen.
- k) - ADA (The Americans with Disabilities Act) Package.

PRODUCT NAME

Hollow Metal Door Hardware

MANUFACTURER

Parkline, Inc.

P.O. Box 65

Winfield, West Virginia 25213

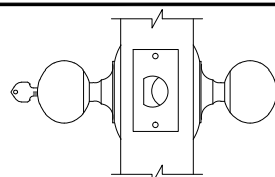
Phone: (304) 586-2113 in WV

(800) 786-4855 outside WV

(304) 586-3842 FAX

web: <http://www.parkline.com>

E-mail: parkline@parkline.com



**CYLINDRICAL KEY IN
KNOB LOCKSET and
PASSAGE SET (without lock)**



PARKLINE, INC.

13122 HMD4