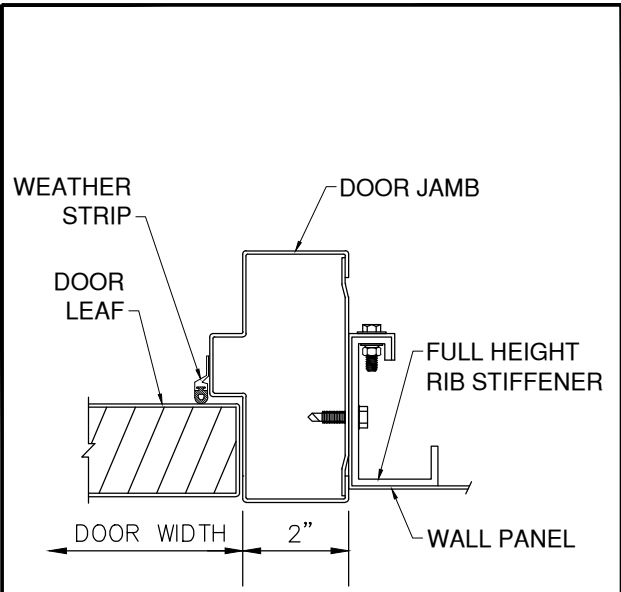
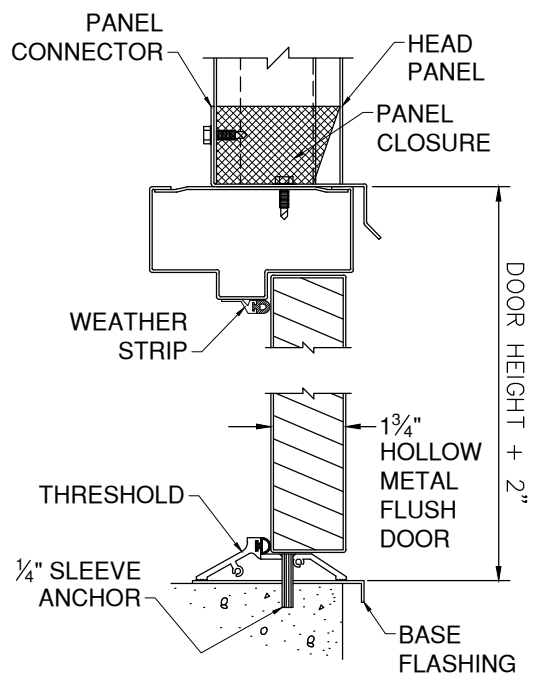


## HOLLOW METAL DOOR OPTIONAL 18 GAUGE INSULATED LEAF



JAMB SECTION



VERTICAL SECTION

**NOTE:**

Refer to Walk Door Hardware Schedule **A-DS**, Floor Plan and Elevation Drawing for exact door size, door options, door swing and location of accessories,

### PRODUCT DESCRIPTION

#### 18 GAUGE DOOR LEAF

Door leaves shall be 1<sup>3</sup>/<sub>4</sub>" thick flush construction of a nominal 18 gauge galvanized steel, insulated foamed-in-place, rigid closed cell polyurethane core is chemically bonded to minimum 18 gauge galvanized steel face sheets. Leaves shall be manufactured in accordance with ANSI/SDI-100, Grade 1, Model 1. (STC rating 22 and U value .07).

#### DOOR FRAME

Door frames shall be double rabbeted type, of nominal 16 gauge galvanized steel. Frames shall have hinge reinforcement of a nominal 7 gauge and lock reinforcement of a nominal 16 gauge.

#### DOOR FINISH (STANDARD)

All leaves and frames shall be factory painted with one coat of baked on primer.

#### DOOR FINISH (OPTIONAL)

Factory painted door and frame.

#### DOOR ASSEMBLY

All doors shall be provided "assembled" in their frames with all hardware, except door levers, knobs, cross bar or closers installed on door leaf. (Double swing doors will require some field assembly).