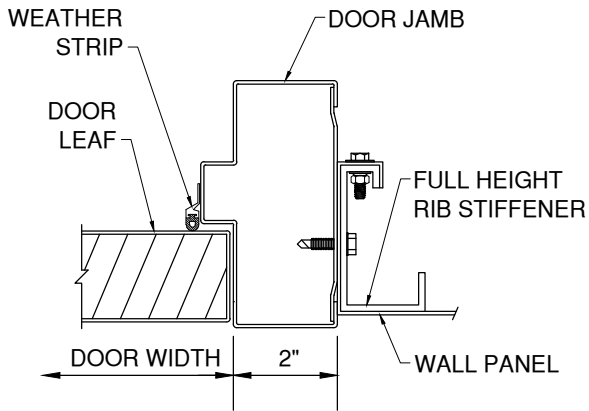
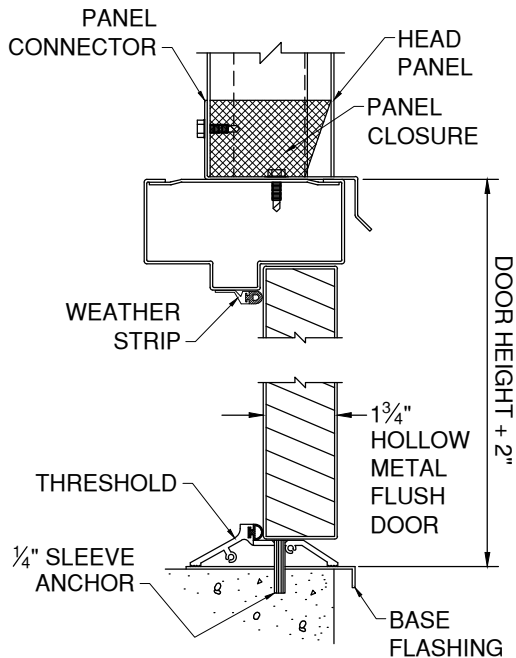


**HOLLOW METAL DOOR
STANDARD LEAF AND FRAME**



JAMB SECTION



VERTICAL SECTION

NOTE:

Refer to Walk Door Hardware Schedule A-DS, Floor Plan and Elevation drawings for exact door size, door options, door swing and location of accessories.

PRODUCT DESCRIPTION

DOOR LEAF

Door leaves shall be 1³/₄" thick flush construction of a nominal 20 gauge galvanized steel, reinforced by lamination to a small cell honeycomb core. Leaves shall be manufactured in accordance with ANSI/SDI-100, Grade 1, Model 1. (STC rating 30 and U value.14).

DOOR FRAME

Door frames shall be 4³/₄" deep, double rabbeted type, of nominal 16 gauge galvanized steel. Frames shall have hinge reinforcement of a nominal 7 gauge and lock reinforcement of a nominal 16 gauge.

DOOR FINISH (STANDARD)

All leaves and frames shall be factory painted with one coat of baked on primer.

DOOR FINISH (OPTIONAL)

Factory painted door and frame.

DOOR ASSEMBLY

All doors shall be provided "assembled" in their frames with all hardware, except door levers, knobs, cross bar or closers installed on door leaf. (Double swing doors will require some field assembly.)