

## HOLLOW METAL DOOR OPTIONS

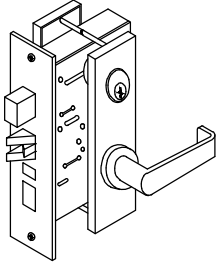
**NOTE:**

Refer to Walk Door Hardware Schedule **A-DS** For Any Door Options Being Provided. Any of The Following Door Options Not Already Shown on Schedule **A-DS** At The Time of Approval, May Be Subject To a Price Adjustment.

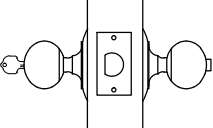
### PRODUCT DESCRIPTION

**DOOR OPTIONS:**

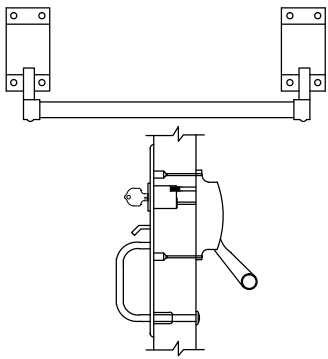
- (3) 4½" steel hinges per ANSI #A5112 std. wt., ball bearing, 630 Satin Stainless Steel Finish with non - rising pins.
- (3) 4½" steel hinges per ANSI #A5111 heavy wt., ball bearing, 630 Satin Stainless Steel Finish with non - rising pins.
- Rim type "Cross Bar" panic device built to ANSI # A156.3, Type1, Grade 1, F05, 630 Stainless Finish.
- Rim type "Push Pad" panic device built to ANSI # A156.3, Type 1, Grade 1, F08, 626 Satin Chrome Finish (exterior), 689 Aluminum Lacquer Finish (interior).
- Cylindrical key in knob lockset per ANSI # A156.2, Series 4000, Grade 2, F81, 630 Satin Stainless Steel Finish.
- Passage set per ANSI # A156.2, Series 4000, Grade 2, F75, 626 Satin Chrome Finish.
- Door closer is certified to conform to ANSI # A156.4 Grade 1 and meets exterior barrier free codes in 689 Aluminum Lacquer Finish.
- 23" wide x 20" high adjustable blade louver with mesh insect screen.
- Head and foot bolts for inactive leaf of double door only. Conforms to ANSI # A156.16, L04151.
- Insulated foamed in place, rigid, closed cell poly-urethane core chemically bonded to minimum 20 gauge galvanized steel face sheets. Insulated leaves have an STC rating of 22 and a U value of .07.
- Factory painted to match wall color.
- 18 gauge galvanized steel leaves.
- Removable transoms. **STANDARD SIZES:**
  - 2'-0" High
  - 3'-0" High
  - Special \_\_\_\_\_ High



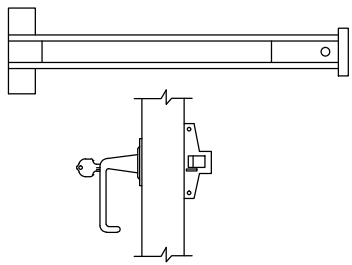
MORTISE LOCKSET



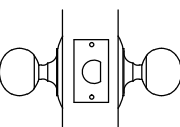
CYLINDRICAL KEY IN KNOB LOCKSET



CROSS BAR



PUSH PAD



PASSAGE SET