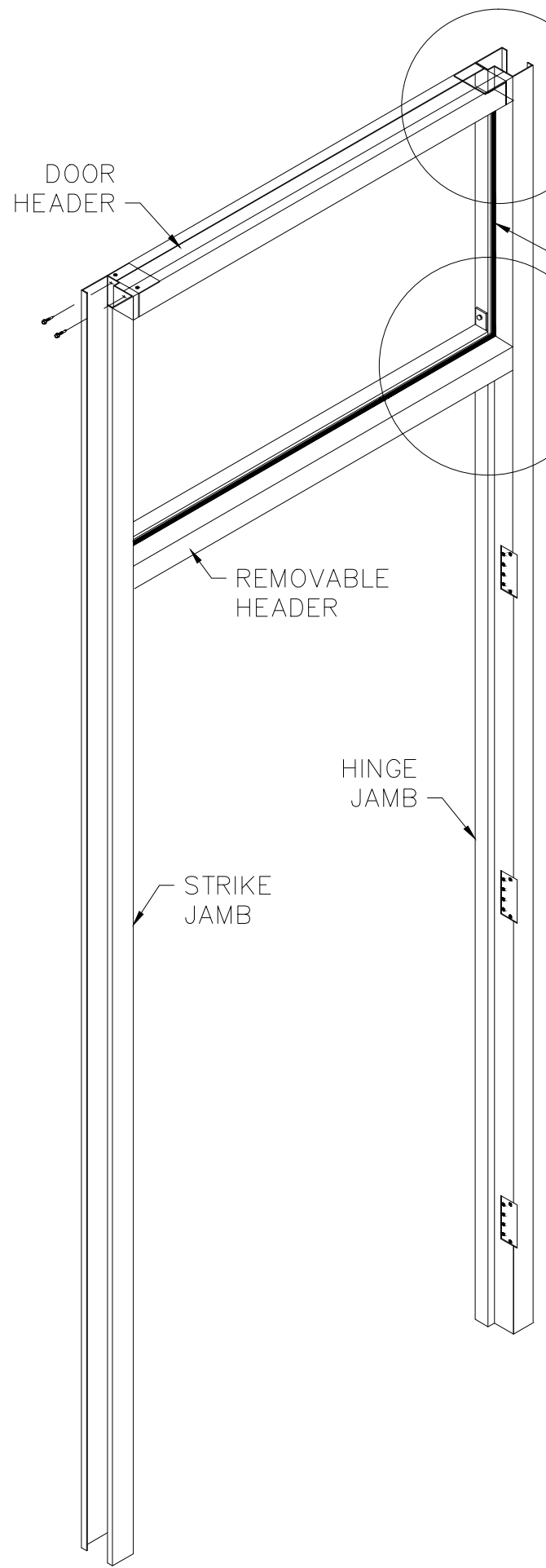
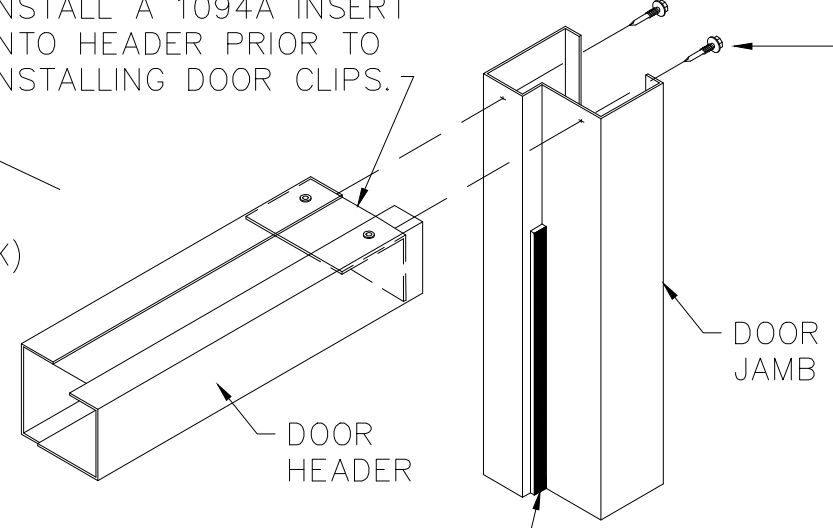


NOTE:
ON DOUBLE DOORS,
INSTALL A 1094A INSERT
INTO HEADER PRIOR TO
INSTALLING DOOR CLIPS.

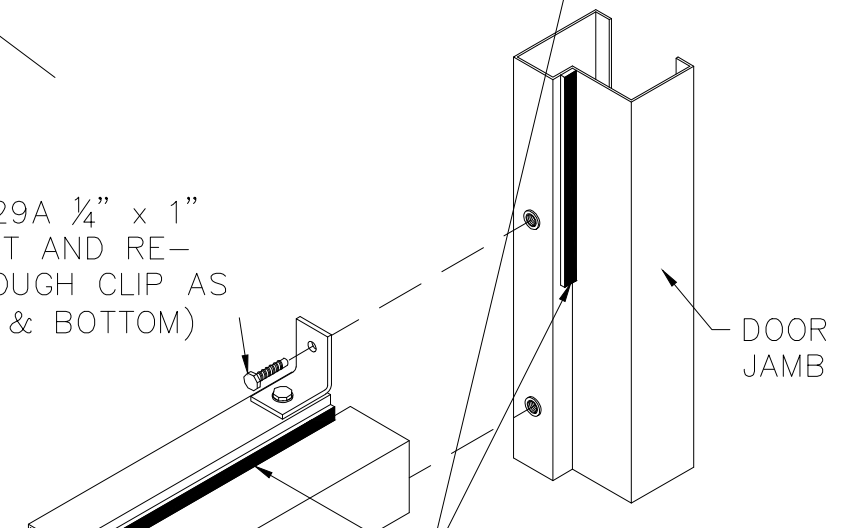


WS-STD-LF
(PEEL & STICK)
WEATHER
STRIPPING



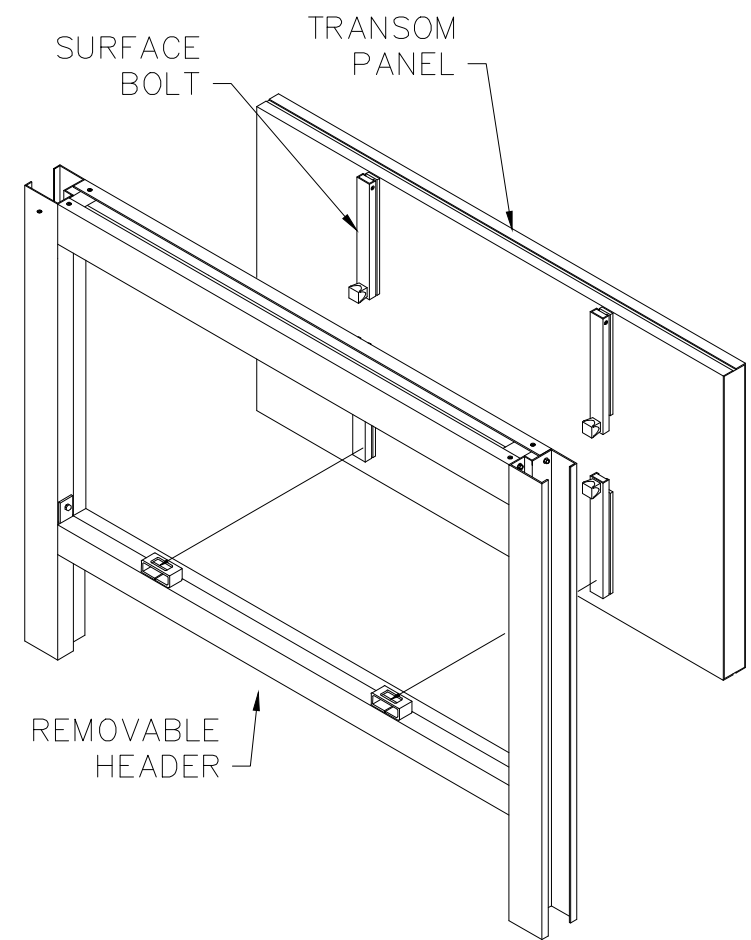
(2) SDF12114AW
#12 X 1/4" FASTENER
PER SIDE THRU
JAMB INTO CLIP

REMOVE K2029A 1/4" x 1"
MACHINE BOLT AND RE-
INSTALL THROUGH CLIP AS
SHOWN (TOP & BOTTOM)

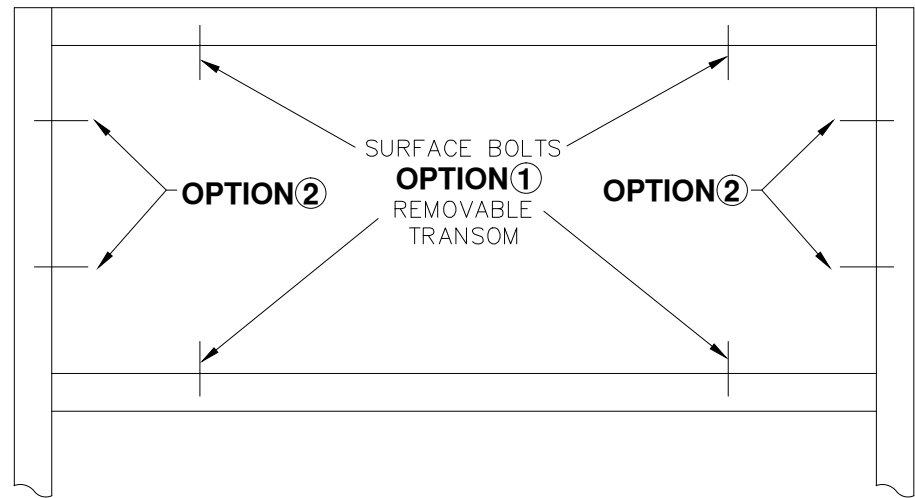


WS-STD-LF (PEEL & STICK)
WEATHER STRIPPING

REMOVABLE HEADER

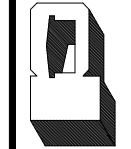


- NOTES:**
- 1). SURFACE BOLTS ARE PROVIDED FOR FIELD INSTALLATION. (INSTALL ON INTERIOR SIDE)
 - 2). THE QUANTITY OF SURFACE BOLTS PROVIDED ARE GOVERNED BY THE SIZE OF THE TRANSOM PANEL.
 - 3). FOUR (4) SURFACE BOLTS ARE PROVIDED FOR PANELS THAT ARE OVER 2'-0" TALL AND/OR 4'-0" WIDE.
 - 4). ALL OTHERS REQUIRE (2).
 - 5). REMOVE ARM TO BODY BOLT FROM OPTIONAL DOOR CLOSER IF APPLICABLE. REMOVE PIVOT HINGE IF APPLICABLE.



REVISIONS	BY
03-17-11	TLC
04-14-11	RAP
09-19-11	RAP
01-02-12	TLC

PARKLINE, INC.
RT. 62, ELEANOR INDUSTRIAL PARK
ELEANOR, WY 25070
EMAIL: PARKLINE@PARKLINE.COM
PHONE: 800-786-4855
FAX: 304-586-3842
ENGINEER: TOM HARDING
THARDING@PARKLINE.COM



JOB DESCRIPTION
**DOOR WITH 3" FRAME
AND REMOVABLE
TRANSOM**

SHEET TITLE
ASSEMBLY DETAILS

DATE	02-28-11
DRAWN BY	TLC
SCALE	NTS
ORDER NO.	
REVISION	4

DR3-TRAN-1