

CAULKING DETAIL FOR 'Z' FLASHING BETWEEN DOOR HEAD AND HEAD ASSEMBLY

INSTALL FRAMED OPENING PER DRAWING FO-2A AND FO-2B.

STEP 1.

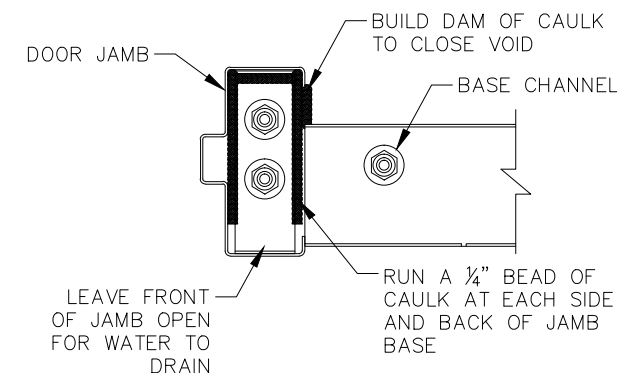
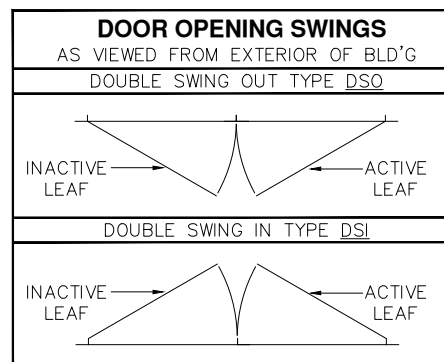
FASTEN JAMB CLIPS TO FOUNDATION (SEE SECTION 'B'-'B' AND BASE CHANNEL LAYOUT). ASSEMBLE DOOR JAMBS, HEADER, AND THRESHOLD. SET FRAME ASSEMBLY OVER JAMB CLIPS AND FASTEN PER SECTION 'B'-'B'. ATTACH DOOR JAMB TO FRAMED OPENING JAMB WITH (2) K1236 #14 FASTENERS THRU DOOR JAMB STRAPS. (SEE SECTION 'B'-'B')

STEP 2.

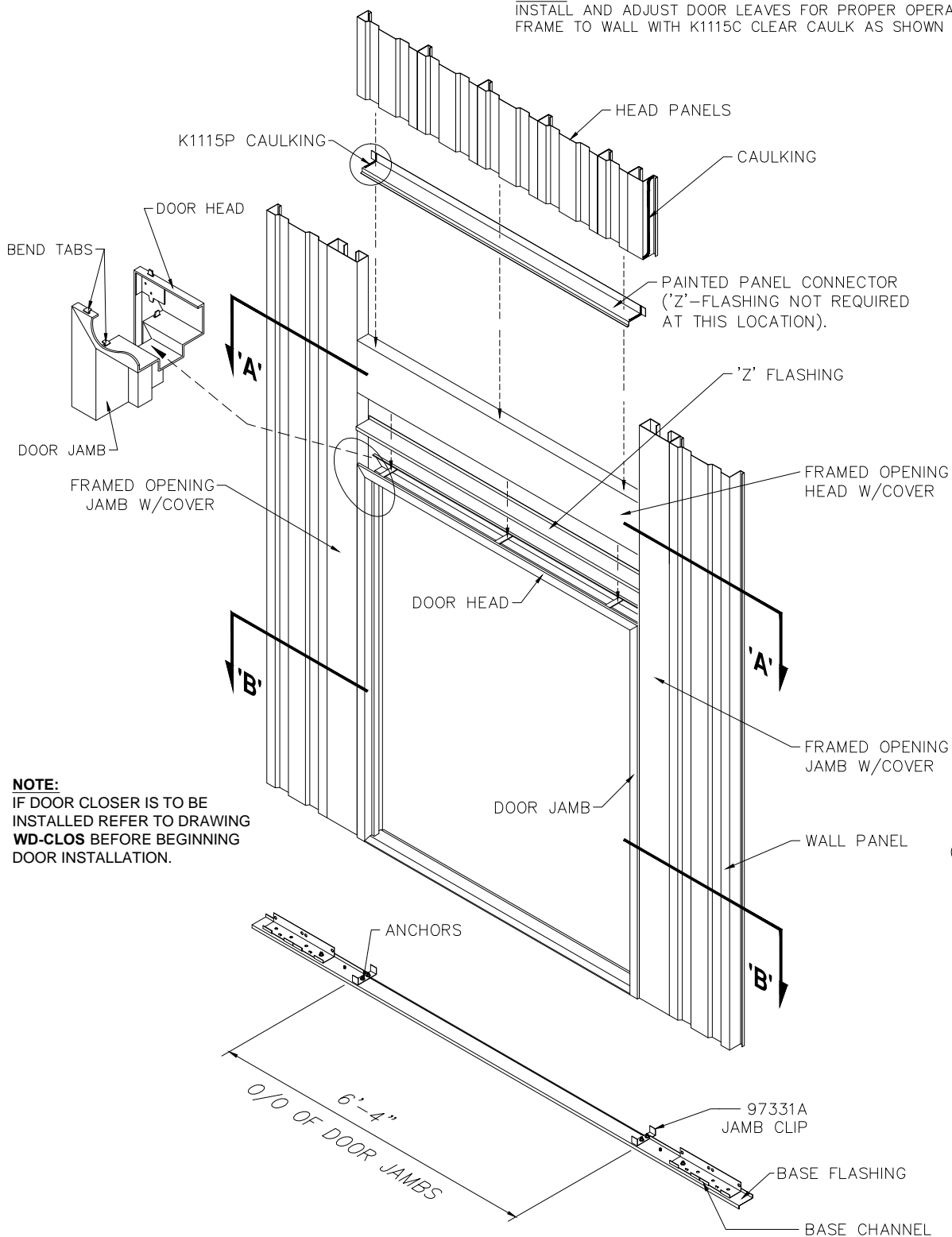
INSTALL PANEL CONNECTOR PER DETAIL BELOW. PLACE PANEL CONNECTOR INTO POSITION, BETWEEN HEAD PANELS AND FRAMED OPENING HEAD ASSEMBLY. (CAULK PER DETAIL BELOW). SECURE DOOR INTO FRAMED OPENING USING (2) K1236 #14 FASTENERS, THRU HEAD ASSEMBLY AND FLASHING, INTO EACH DOOR HEAD STRAP. (SEE SECTION 'A'-'A') PANEL CONNECTOR TO BE PLACED ABOVE FRAMED OPENING HEAD ASSEMBLY. PLACE HEAD PANELS INTO POSITION AND FASTEN TO BACK OF PANEL CONNECTOR. SWEEP CAULK EACH HEAD PANEL AS SHOWN ON FRAMED OPENING DRAWING.

STEP 3.

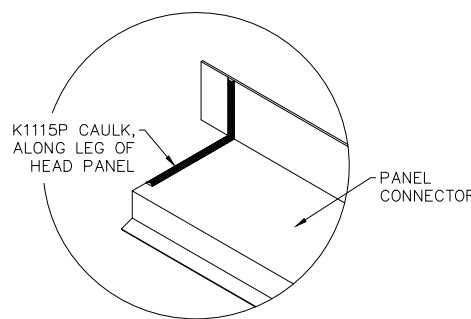
INSTALL AND ADJUST DOOR LEAVES FOR PROPER OPERATION. SURFACE CAULK DOOR FRAME TO WALL WITH K1115C CLEAR CAULK AS SHOWN IN SECTION 'B'-'B'.



TYPICAL CAULKING DETAIL @ BASE OF DOOR JAMB



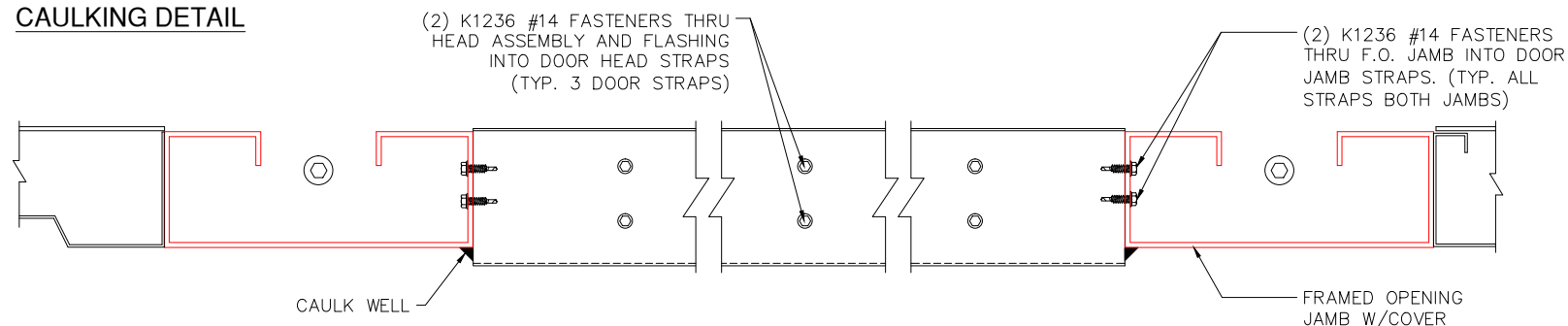
NOTE:
IF DOOR CLOSER IS TO BE INSTALLED REFER TO DRAWING **WD-CLOS** BEFORE BEGINNING DOOR INSTALLATION.



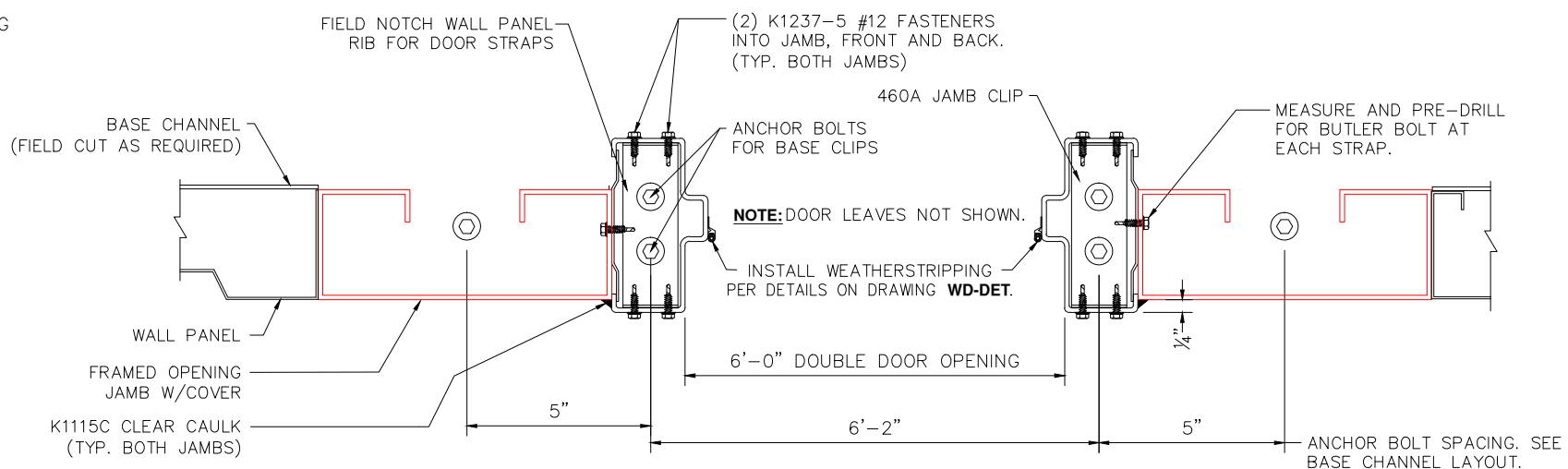
CAULKING DETAIL

NOTES:

1. DOUBLE DOORS CANNOT BE SHIPPED COMPLETELY PREASSEMBLED. FIELD ASSEMBLY OF FRAME AND LEAF UNITS IS REQUIRED.
2. DOUBLE SWING OUT DOOR ASSEMBLY SHOWN. SEE ORDER SPECIFIC DRAWINGS TO CONFIRM TYPE OF DOOR.
3. DOOR FRAMING MUST BE INSTALLED AS WALL PANELS ARE ERECTED.
4. DOOR MUST BE INSTALLED SQUARE AND PLUMB.
5. INSTALL WEATHERSTRIP ON DOOR AS SHOWN IN DETAILS ON DRAWING **WD-DET**.
6. CHECK INSIDE DOOR FRAME FOR ADDITIONAL HARDWARE ITEMS SUCH AS KNOBS, ETC.



SECTION 'A'-'A'



SECTION 'B'-'B'

REVISIONS	BY
01-28-08	CEM
07-27-09	CEM
08-19-10	RAP
08-27-10	RAP
03-06-12	TLC

PARKLINE, INC
P O Box 65 Winfield, WV 25213
phone: (304) 586-2113

6'-0" WIDE WALK DOOR, IN HIGH VELOCITY WIND AREA, FOR 10'-0" EAVE HT. BUILDINGS

JOB DESCRIPTION

SHEET TITLE

INSTALLATION DETAILS

DATE	06-13-06
DRAWN BY	CEM
SCALE	N.T.S.
ORDER NO.	
REVISION	5

WD-60-HV10