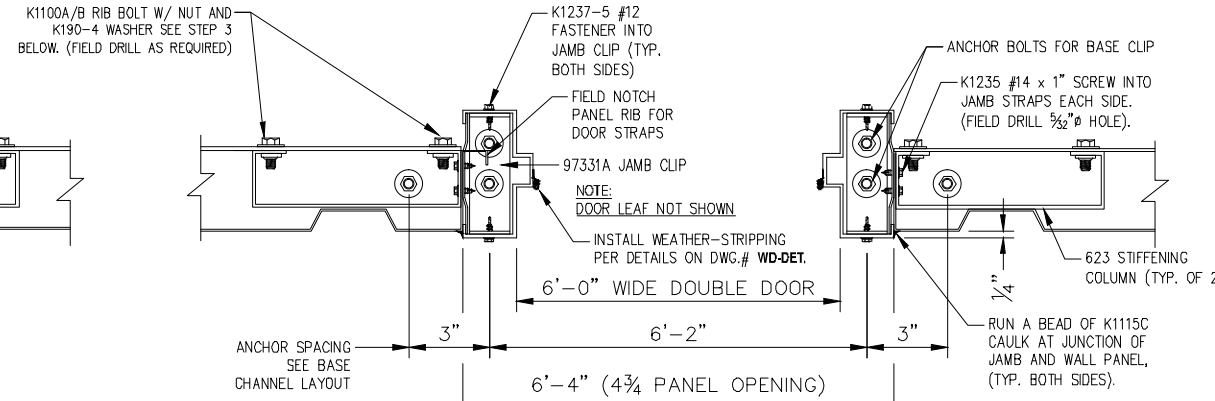
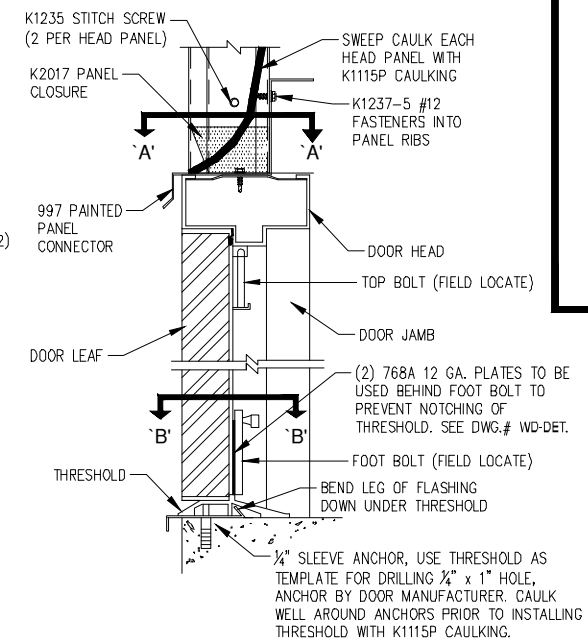


SECTION 'A'-'A'



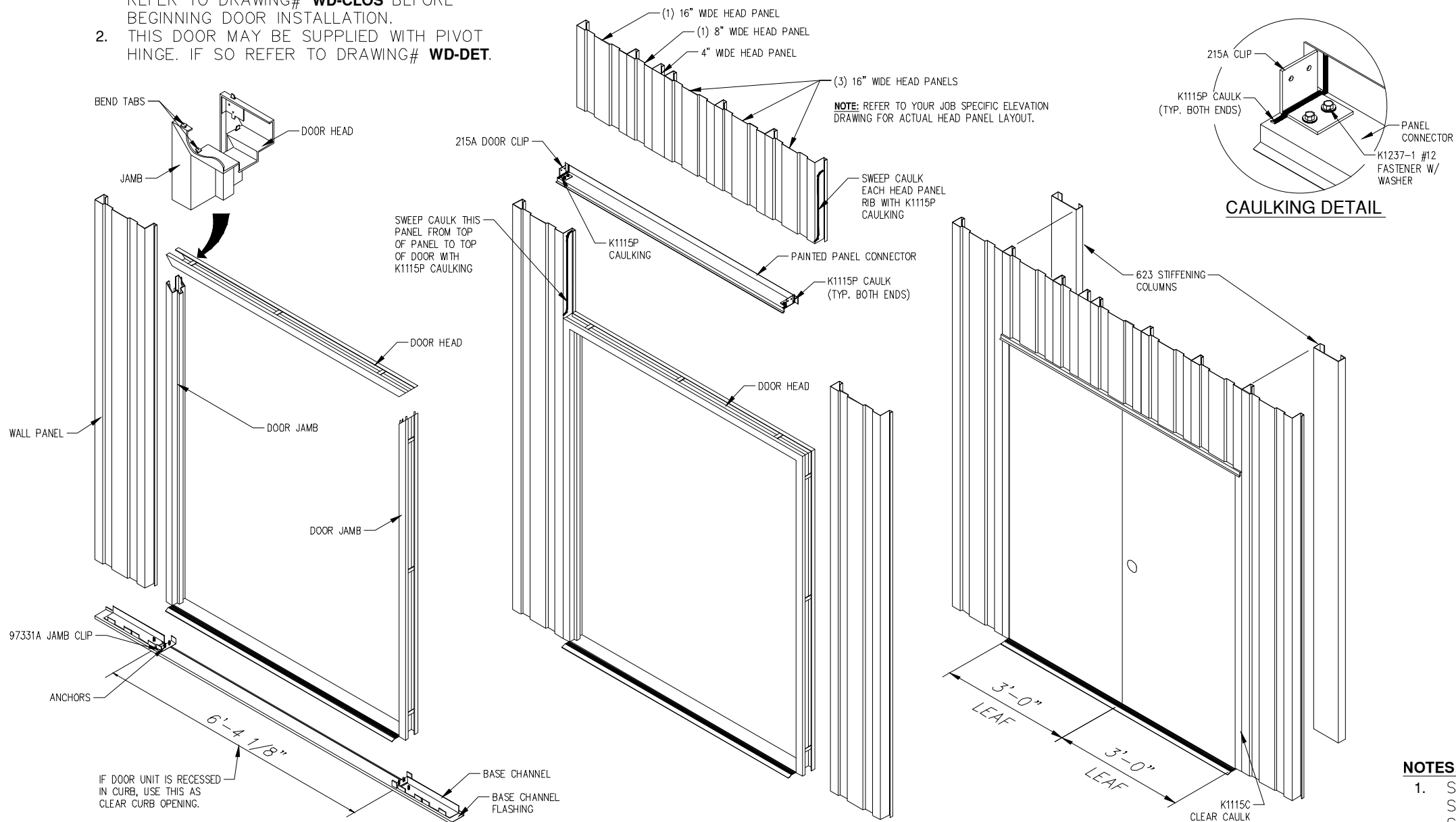
SECTION 'B'-'B'



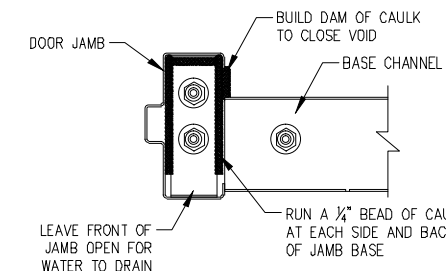
SECTION THRU DOOR

**NOTES:**

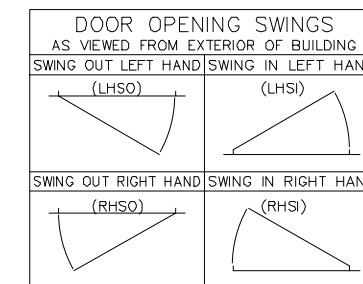
1. IF DOOR CLOSER IS TO BE INSTALLED, REFER TO DRAWING# **WD-CLOS** BEFORE BEGINNING DOOR INSTALLATION.
2. THIS DOOR MAY BE SUPPLIED WITH PIVOT HINGE. IF SO REFER TO DRAWING# **WD-DET**.



CAULKING DETAIL



TYPICAL CAULKING DETAIL @ BASE OF DOOR JAMB



**NOTES:**

1. SWING OUT LEFT HAND (LHSO) DOOR ASSEMBLY SHOWN, SEE FLOOR PLAN FOR ACTUAL DOOR SWINGS.
2. DOOR FRAMING MUST BE INSTALLED AS WALL PANELS ARE ERECTED.
3. DOOR MUST BE INSTALLED SQUARE AND PLUMB.
4. INSTALL WEATHER-STRIP ON DOOR AS SHOWN IN DETAILS ON DRAWING **WD-DET**.
5. CHECK INSIDE OF DOOR FRAME FOR ADDITIONAL HARDWARE ITEMS SUCH AS KNOBS, ETC.

**STEP 1**  
FASTEN JAMB CLIPS TO FOUNDATION. (SEE SECTION 'B'-'B' AND BASE CHANNEL LAYOUT). SET DOOR ASSEMBLY OVER CLIPS AND FASTEN PER SECTION 'B'-'B'. (BEND BACK LEG OF BASE FLASHING AS SHOWN, SEE SECTION THRU DOOR). ATTACH DOOR JAMBS TO PANEL RIBS WITH K1235 SCREWS THRU DOOR JAMB STRAPS. (SEE SECTION 'B'-'B'). (SEE TYPICAL CAULKING DETAIL @ BASE OF DOOR JAMB).

**STEP 2**  
PLACE PANEL CONNECTOR INTO POSITION AND FASTEN TO HEAD. CAULK PANEL CONNECTOR PER DETAIL ABOVE. (SEE SECTION 'A'-'A') CAULK FROM TOP OF WALL PANEL TO DOOR HEAD AS SHOWN, THEN PLACE HEAD PANELS INTO POSITION AND FASTEN TO BACK OF PANEL CONNECTOR. (SEE SECTION THRU DOOR) SWEEP CAULK EACH HEAD PANEL AS SHOWN, THEN INSTALL PANEL TO RIGHT OF OPENING.

**STEP 3**  
PLACE STIFFENING COLUMNS INTO POSITION AND BOLT TO BASE CHANNEL USING K1100A RIB BOLTS W/ NUT. (SEE SECTION 'B'-'B'). FASTEN DOOR CLIPS AS SHOWN IN SECTION 'A'-'A'. INSTALL AND ADJUST DOOR LEAVES FOR PROPER OPERATION. SURFACE CAULK DOOR FRAME TO WALL PANEL WITH K1115C CLEAR CAULK AS SHOWN IN SECTION 'B'-'B'.

REVISIONS	BY
08-17-10	RAP
08-27-10	RAP

**PARKLINE, INC**  
P O Box 65 Winfield, WV 25213  
phone: (304) 586-2113

**6'-0" WIDE WALK DOOR IN HIGH VELOCITY WIND AREA FOR 8' HIGH BLDG.**

JOB DESCRIPTION

SHEET TITLE

**INSTALLATION DETAILS**

DATE	05-24-06
DRAWN BY	CEM
SCALE	N.T.S.
ORDER NO.	
REVISION	2

**WD-60-HV8**