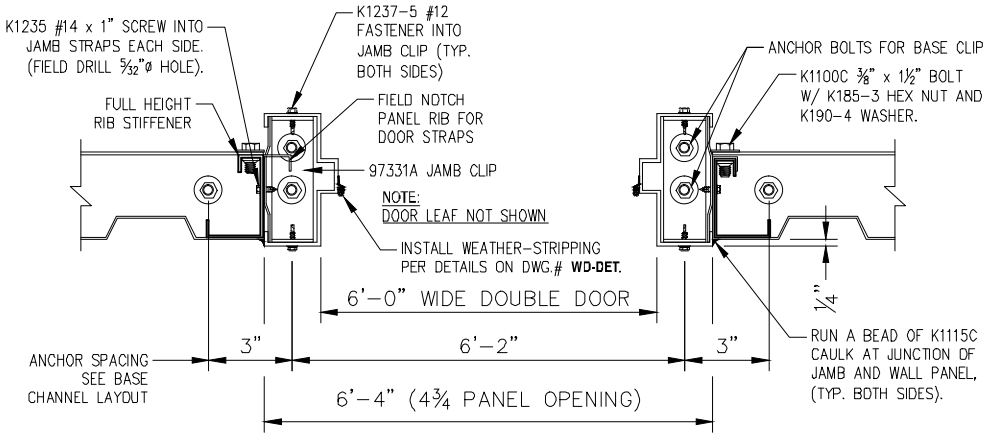
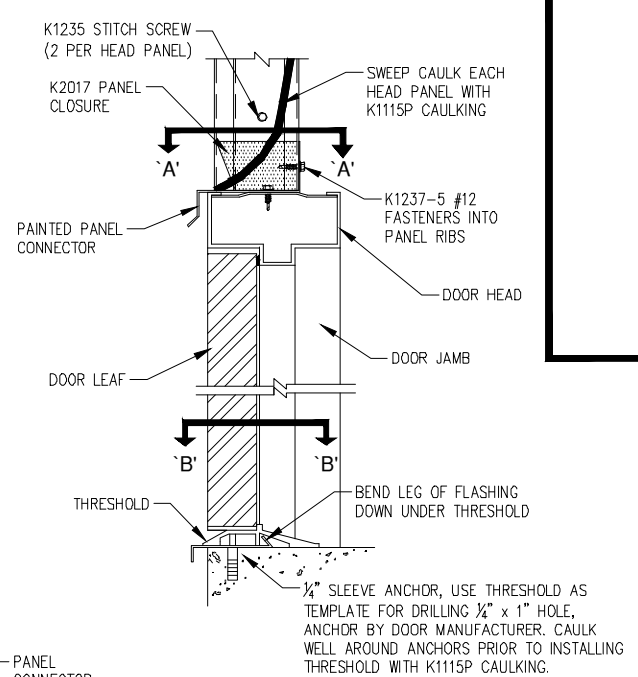


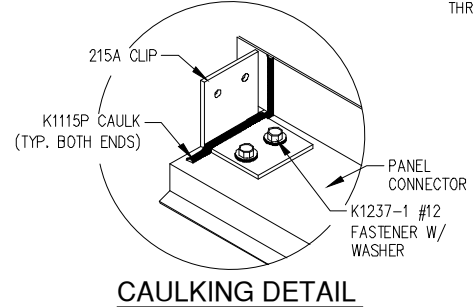
SECTION 'A'-'A'



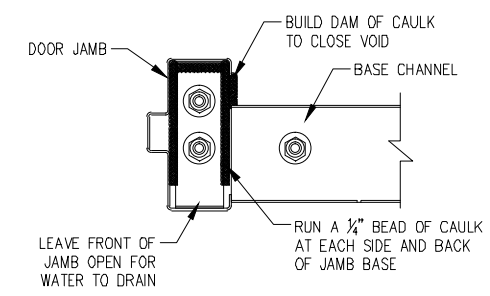
SECTION 'B'-'B'



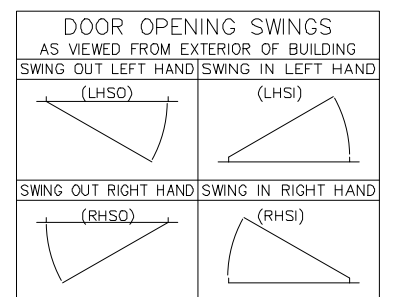
SECTION THRU DOOR



CAULKING DETAIL



TYPICAL CAULKING DETAIL @ BASE OF DOOR JAMB

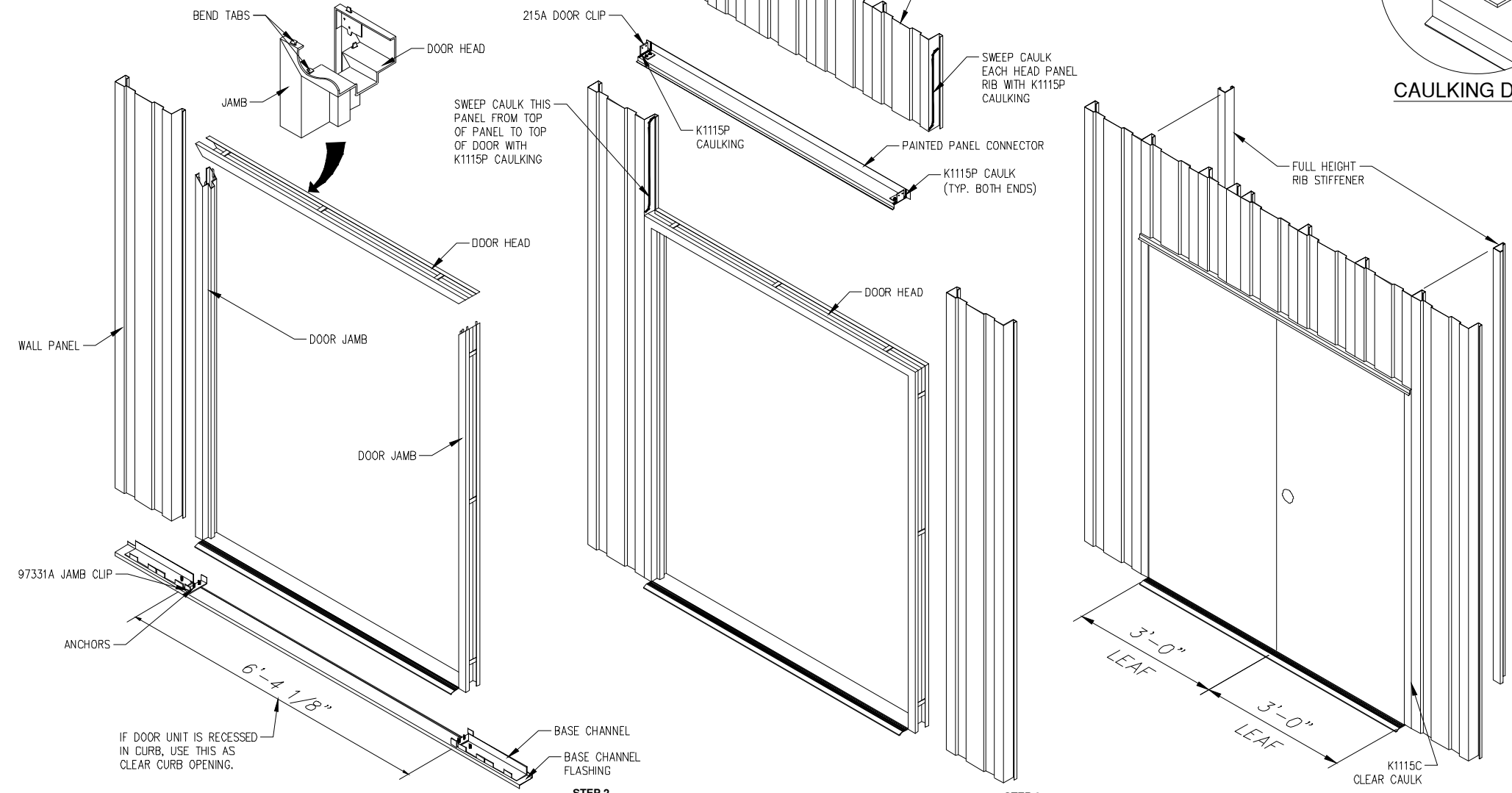
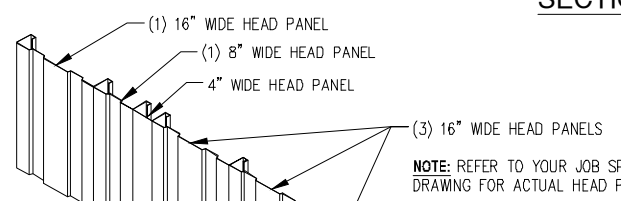


NOTES:

1. SWING OUT LEFT HAND (LHSO) DOOR ASSEMBLY SHOWN, SEE FLOOR PLAN FOR ACTUAL DOOR SWINGS.
2. DOOR FRAMING MUST BE INSTALLED AS WALL PANELS ARE ERECTED.
3. DOOR MUST BE INSTALLED SQUARE AND PLUMB.
4. INSTALL WEATHER-STRIP ON DOOR AS SHOWN IN DETAILS ON DRAWING **WD-DET**.
5. CHECK INSIDE OF DOOR FRAME TO WALL PANEL FOR ADDITIONAL HARDWARE ITEMS SUCH AS KNOBS, ETC.

NOTES:

1. IF DOOR CLOSER IS TO BE INSTALLED, REFER TO DRAWING# **WD-CLOS** BEFORE BEGINNING DOOR INSTALLATION.
2. THIS DOOR MAY BE SUPPLIED WITH PIVOT HINGE. IF SO REFER TO DRAWING# **WD-DET**.



STEP 1

FASTEN JAMB CLIPS TO FOUNDATION. (SEE SECTION 'B'-'B' AND BASE CHANNEL LAYOUT). SET DOOR ASSEMBLY OVER CLIPS AND FASTEN PER SECTION 'B'-'B'. (BEND BACK LEG OF BASE FLASHING AS SHOWN, SEE SECTION THRU DOOR). ATTACH DOOR JAMBS TO PANEL RIBS WITH K1235 SCREWS THRU DOOR JAMB STRAPS. (SEE SECTION 'B'-'B'). (SEE TYPICAL CAULKING DETAIL @ BASE OF DOOR JAMB).

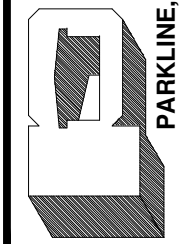
STEP 2

PLACE PANEL CONNECTOR INTO POSITION AND FASTEN TO HEAD. CAULK PANEL CONNECTOR PER DETAIL ABOVE. (SEE SECTION 'A'-'A') CAULK FROM TOP OF WALL PANEL TO DOOR HEAD AS SHOWN, THEN PLACE HEAD PANELS INTO POSITION AND FASTEN TO BACK OF PANEL CONNECTOR. (SEE SECTION THRU DOOR) SWEEP CAULK EACH HEAD PANEL AS SHOWN, THEN INSTALL PANEL TO RIGHT OF OPENING.

STEP 3

PLACE FULL HEIGHT RIB STIFFENERS IN POSITION AND LOCK INTO PANEL RIBS. FULL HEIGHT RIB STIFFENERS **MUST** BE INSTALLED IN PANEL RIBS BEFORE INSTALLING WALL CAPS OR EAVE CAPS. ATTACH THROUGH BASE CHANNEL AND WALL/EAVE CAPS WITH K1100C BOLTS AS SHOWN IN SECTION 'B'-'B'. FIELD DRILL IF REQUIRED. FASTEN THROUGH PANEL RIBS INTO STIFFENER. (SEE SECTION 'B'-'B'). SURFACE CAULK DOOR FRAME TO WALL PANEL WITH K1115C CLEAR CAULK AS SHOWN IN SECTION 'B'-'B'.

REVISIONS	BY
11-16-98	DLR
11-15-02	DLR
05-12-03	RAP
12-22-04	WBD
11-02-06	BHKJ
01-28-08	BAS
03-02-09	JMC
07-21-09	CS
08-03-10	RAP
05-14-12	JMC



PARKLINE, INC
P O Box 65 Winfield, WV 25213
phone: (304) 586-2113

6'-0" WIDE WALK DOOR
INSTALLATION

DETAILS

DATE	04-14-94
DRAWN BY	DB
SCALE	N.T.S.
ORDER NO.	
REVISION	14

WD-60