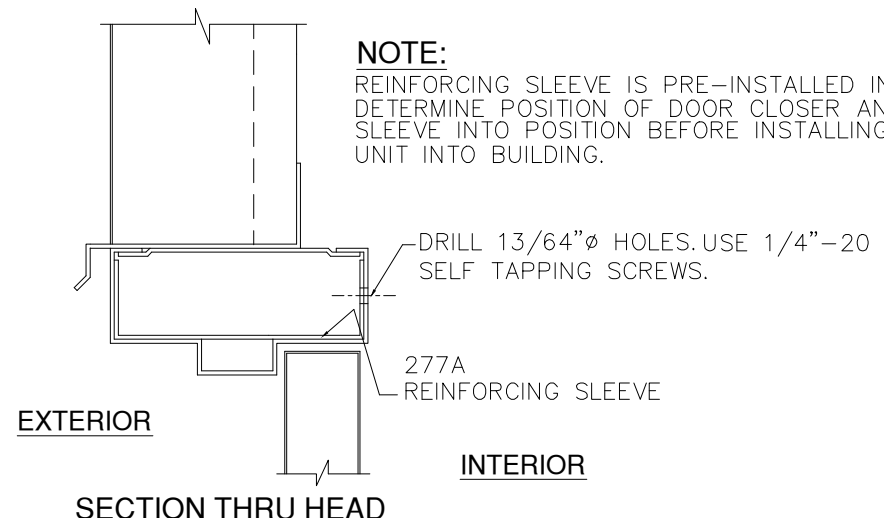
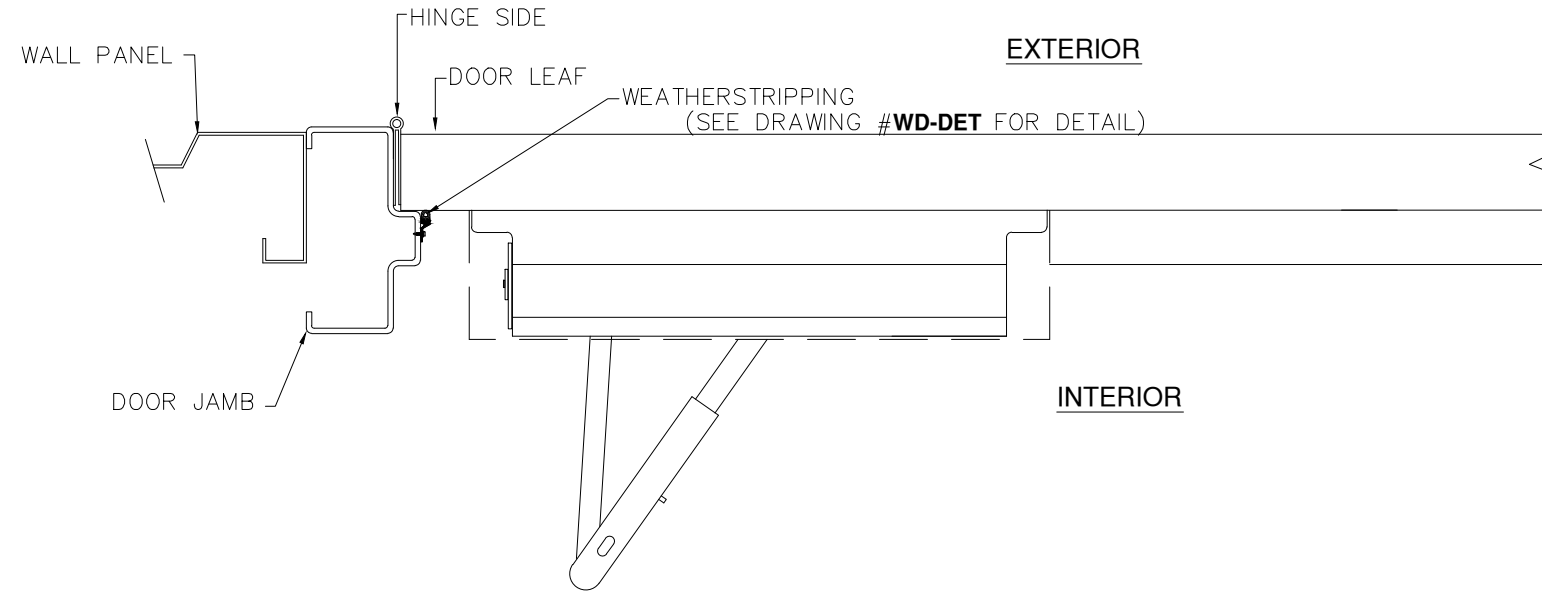
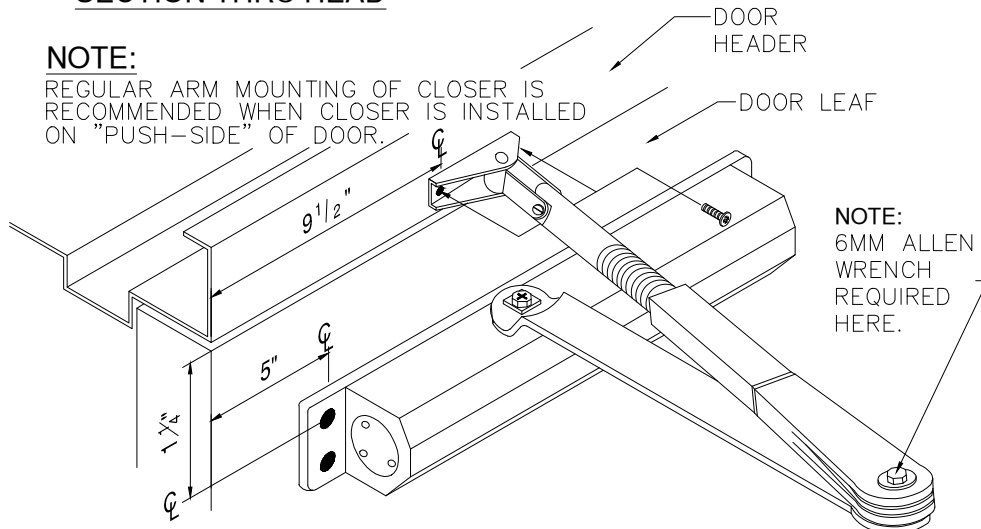


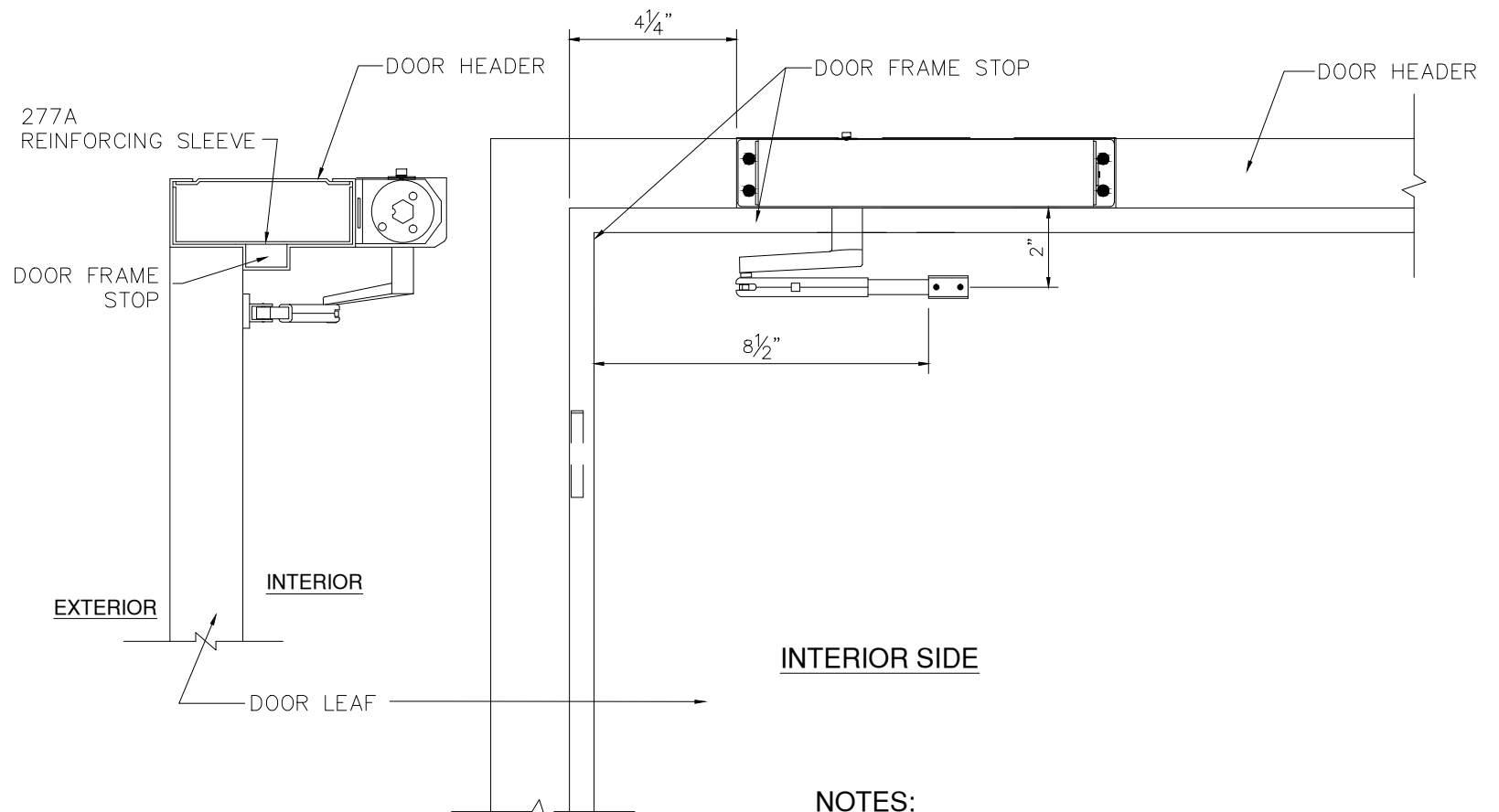
SECTION THRU DOOR LEAF



SECTION THRU HEAD



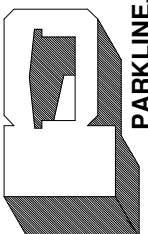
**OPTIONAL DOOR CLOSER MOUNTING DETAILS
(FOR SWING-IN DOORS ONLY)**



NOTES:

- 1). WHEN MEASURING BOTH SIDES OF DOOR, BE SURE TO ALLOW FOR BEVELED EDGE OF DOOR, MAKING CERTAIN THAT HOLES ALIGN.
- 2). \varnothing DIMENSIONS SHOWN ARE TO \varnothing OF HOLES UNLESS NOTED OTHERWISE.
- 3). EXACT HOLES SIZE SHOWN IS IMPORTANT. DO NOT OVERSIZE.
- 4). DISREGARD INSTRUCTIONS PACKED IN DOOR CLOSER BOX FOR CLOSER INSTALLATION DIMENSIONS.

REVISIONS	BY
05-19-03	RAP
07-16-03	RAP
02-02-05	DLR
07-26-07	BHKJ
03-24-08	BAS
10-23-08	BAS
09-13-10	JMC
07-06-11	RAP



PARKLINE, INC
P O Box 65 Winfield, WV 25213
phone: (304) 586-2113

**WALK DOOR CLOSER
INSTALLATION**

DETAILS

DATE	02-24-03
DRAWN BY	DLR
SCALE	N.T.S.
ORDER NO.	
REVISION	8

WD-CLOS