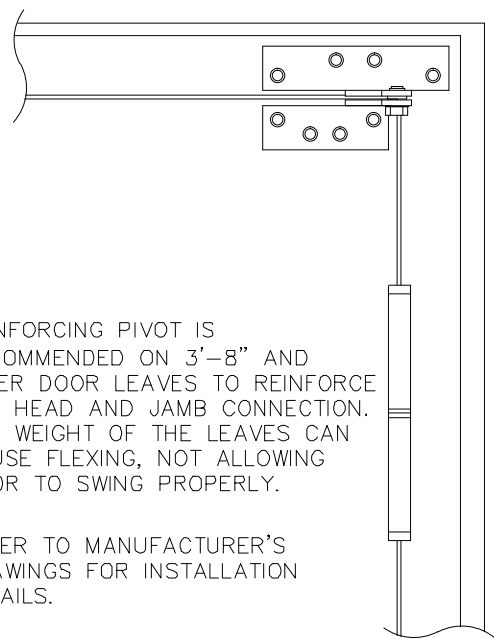


INSTALL (2) PART 768A FLAT SPACERS BEHIND FOOT BOLT. FOLLOW MANUFACTURER'S INSTALLATION DRAWINGS TO COMPLETE.

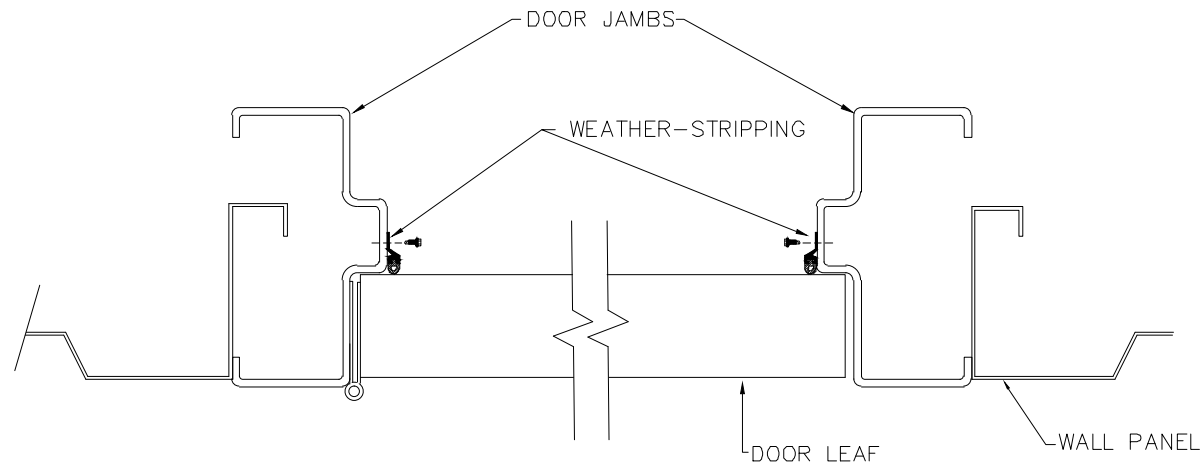
FOOT BOLT SPACER INSTALLATION
DOUBLE SWING DOORS ONLY



REINFORCING PIVOT IS RECOMMENDED ON 3'-8" AND WIDER DOOR LEAVES TO REINFORCE THE HEAD AND JAMB CONNECTION. THE WEIGHT OF THE LEAVES CAN CAUSE FLEXING, NOT ALLOWING DOOR TO SWING PROPERLY.

REFER TO MANUFACTURER'S DRAWINGS FOR INSTALLATION DETAILS.

REINFORCING PIVOT
3'-8" AND WIDER DOOR LEAF
(EXTERNAL VIEW)



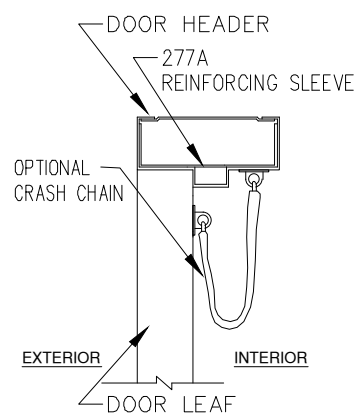
DOOR WEATHER-STRIPPING DETAIL

WEATHER-STRIPPING INSTALLATION

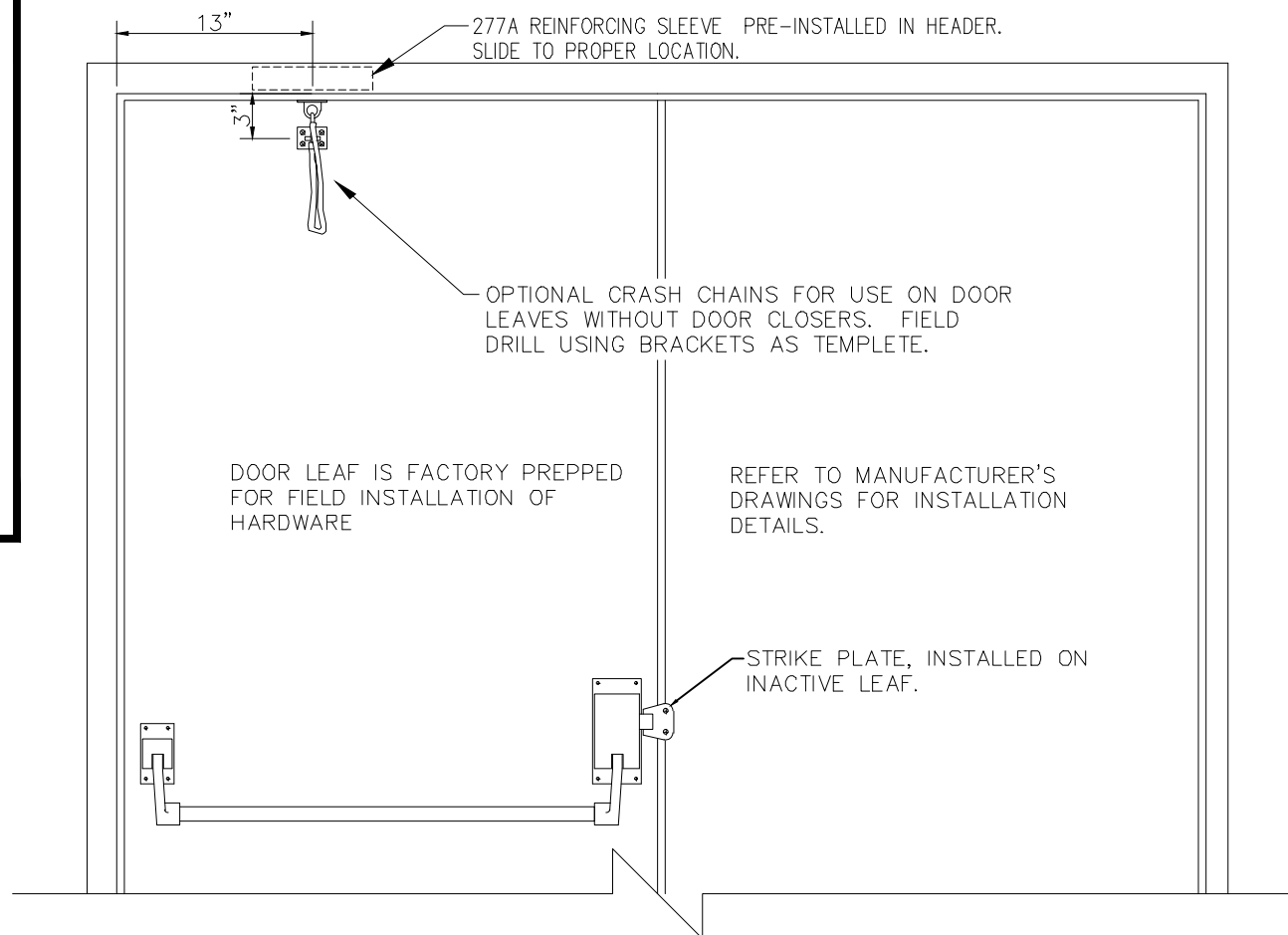
- STEP 1.** CUT WEATHER-STRIPPING TO LENGTH AS REQUIRED.
- STEP 2.** CUT AROUND ANY DOOR BOLTS OR PLATES AS NEEDED.
- STEP 3.** ATTACH WITH STANDARD SELF DRILLING SCREWS PROVIDED USING PRE-DRILLED HOLES IN WEATHER-STRIPPING AS TEMPLATE.

NOTE:

INSTALLATION AT DOOR HEADER (NOT SHOWN) IS THE SAME AS SHOWN ON JAMBS.



OPTIONAL CRASH CHAIN



PANIC HARDWARE INSTALLATION
DOUBLE SWING DOORS ONLY

DOOR PAINTING INSTRUCTIONS

TIPS FOR FINISH PAINTING YOUR DOOR:

THE PRIME PAINT FINISH ON THIS DOOR IS DESIGNED TO PROVIDE PROTECTION DURING NORMAL STORAGE, SHIPPING AND INSTALLATION AT THE JOBSITE, AND TO PROVIDE A UNIFORM BASE FOR FINISH PAINTING. IT IS RECOMMENDED THAT A GOOD TOP COAT OF PAINT BE APPLIED TO THE DOOR AFTER INSTALLATION IS COMPLETED. IT IS THE RESPONSIBILITY OF THE USER TO MAINTAIN THE INTEGRITY OF THE FINISH AFTER INSTALLATION.

RECOMMENDED PAINTING INSTRUCTIONS:

FIRST REPAIR ANY DENTS OR SCRATCHES WHICH OCCURRED DURING INSTALLATION. (AS NOTED BELOW)

SAND THE PRIMER FINISH LIGHTLY WITH A VERY FINE EMERY CLOTH. BE SURE THE SURFACE IS CLEAN AND DRY. PAINT WITH A LOW GLOSS PAINT.

IF THE DOOR HAS BEEN SCRATCHED OR DAMAGED SO THAT RUSTING HAS OCCURRED, SAND LIGHTLY WITH STEEL WOOL OR FINE SANDPAPER TO REMOVE ALL TRACES OF RUST (ANY RUST NOT REMOVED WILL EVENTUALLY BECOME ACTIVE AND BLEED THROUGH ANY SUBSEQUENT TOP COATS.) AFTER ALL RUST HAS BEEN REMOVED AND YOU ARE SURE THE SURFACE IS CLEAN AND DRY, REAPPLY GALVANIZED METAL PRIMER OVER THE ENTIRE REPAIR AREA AND THEN PAINT THE DOOR WITH A LOW GLOSS TRIM PAINT.

DENT REPAIR:

SAND TO BARE METAL (INCLUDING AREA AROUND DENT) WITH #80 EMERY CLOTH. APPLY AUTOMOBILE BODY FILLER ACCORDING TO DIRECTIONS ON THE CONTAINER. AFTER FILLING, CURE THOROUGHLY, SAND WITH #100-120 EMERY CLOTH TO A SMOOTH FLAT SURFACE. BE SURE SURFACE IS CLEAN AND DRY, THEN REAPPLY PRIMER OVER ENTIRE REPAIR AREA.

SCRATCHES:

FEATHER SCRATCH TO THE BARE METAL WITH #300 EMERY CLOTH. BE SURE SURFACE IS CLEAN AND DRY, THEN REAPPLY PRIMER OVER ENTIRE REPAIR AREA. COAT WITH GALVANIZED METAL PRIMER AND LET DRY FOR 24 HOURS BEFORE FINISH PAINTING.

REVISIONS	BY
5-13-98	CBP
01-27-03	DLR
03-25-03	DLR
08-22-03	DLR
08-27-03	RAP
01-26-05	DLR
11-02-06	BHKJ
05-07-09	KRK

PARKLINE, INC.
P. O. Box 65 Winfield, WV 25213
phone: (304) 586-2113

**WALK DOOR HARDWARE
INSTALLATION**

DETAILS

DATE	7-14-97
DRAWN BY	JEH
SCALE	N.T.S.
ORDER NO.	
REVISION	8

DWG. NO. **WD-DET**