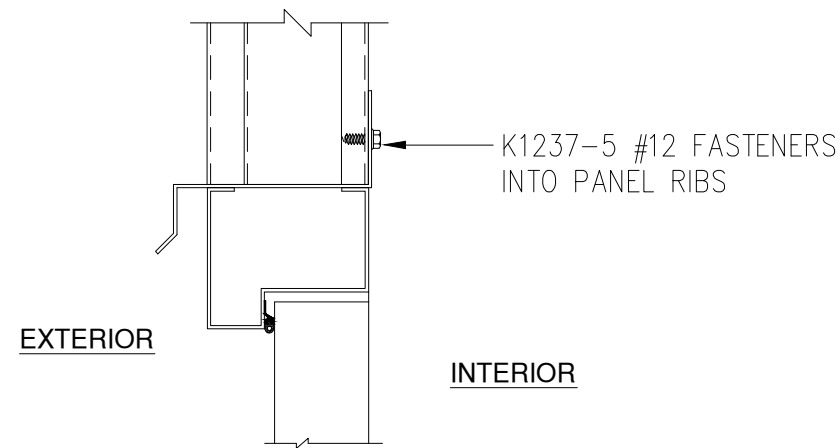
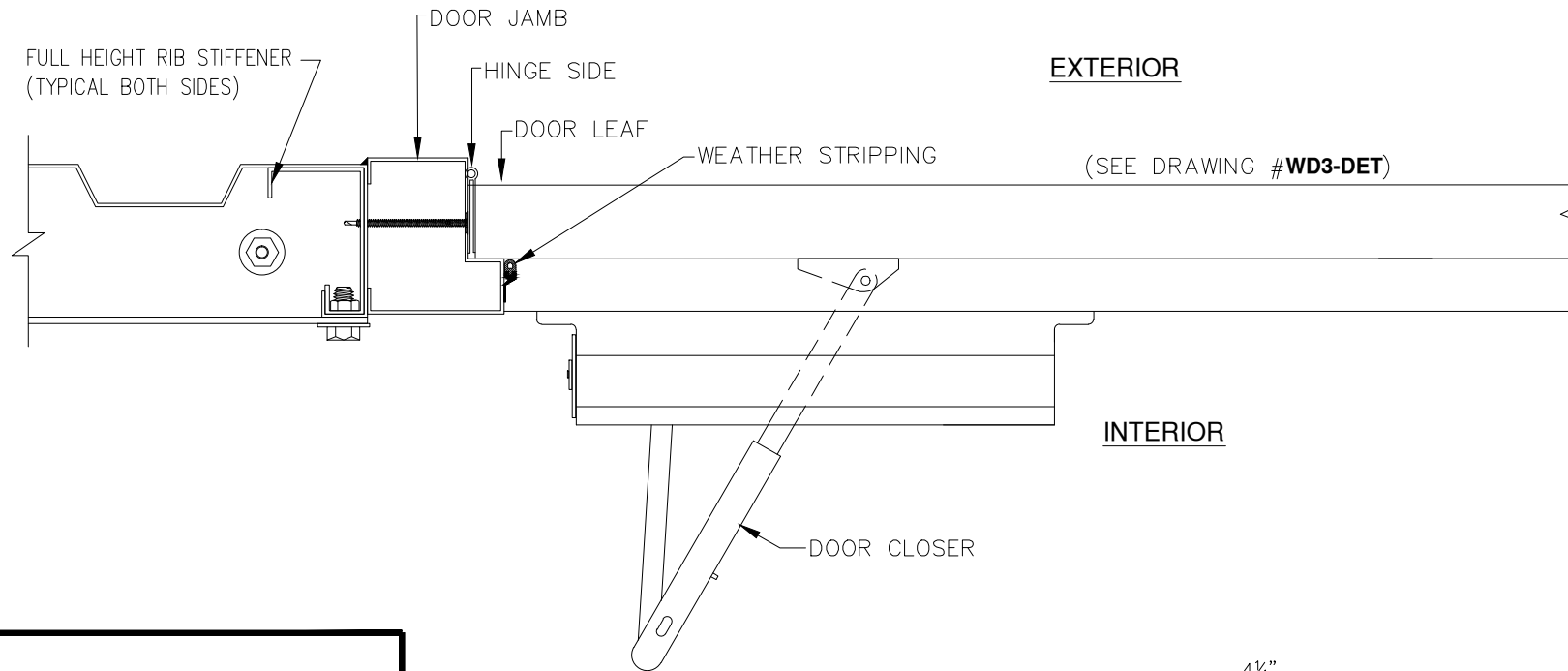
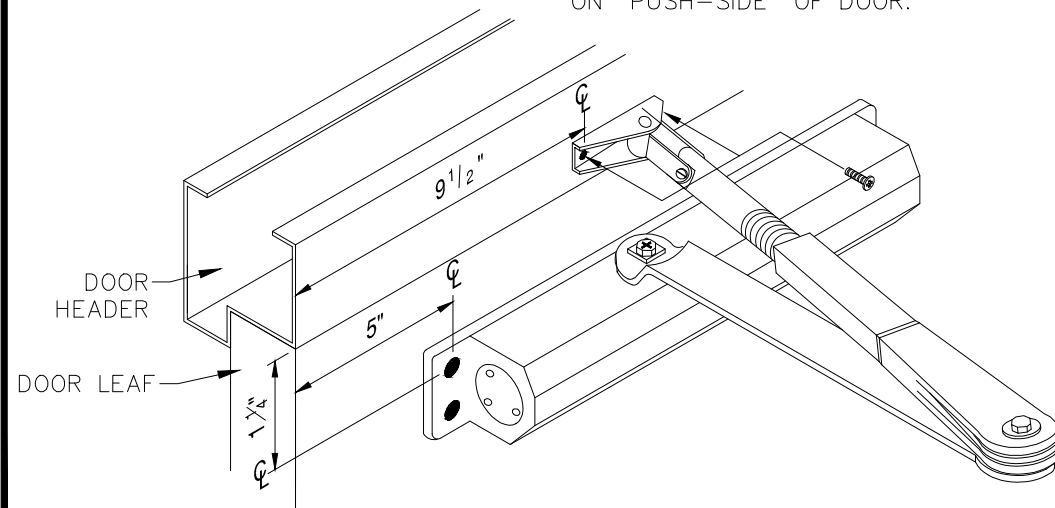


SECTION THRU DOOR LEAF

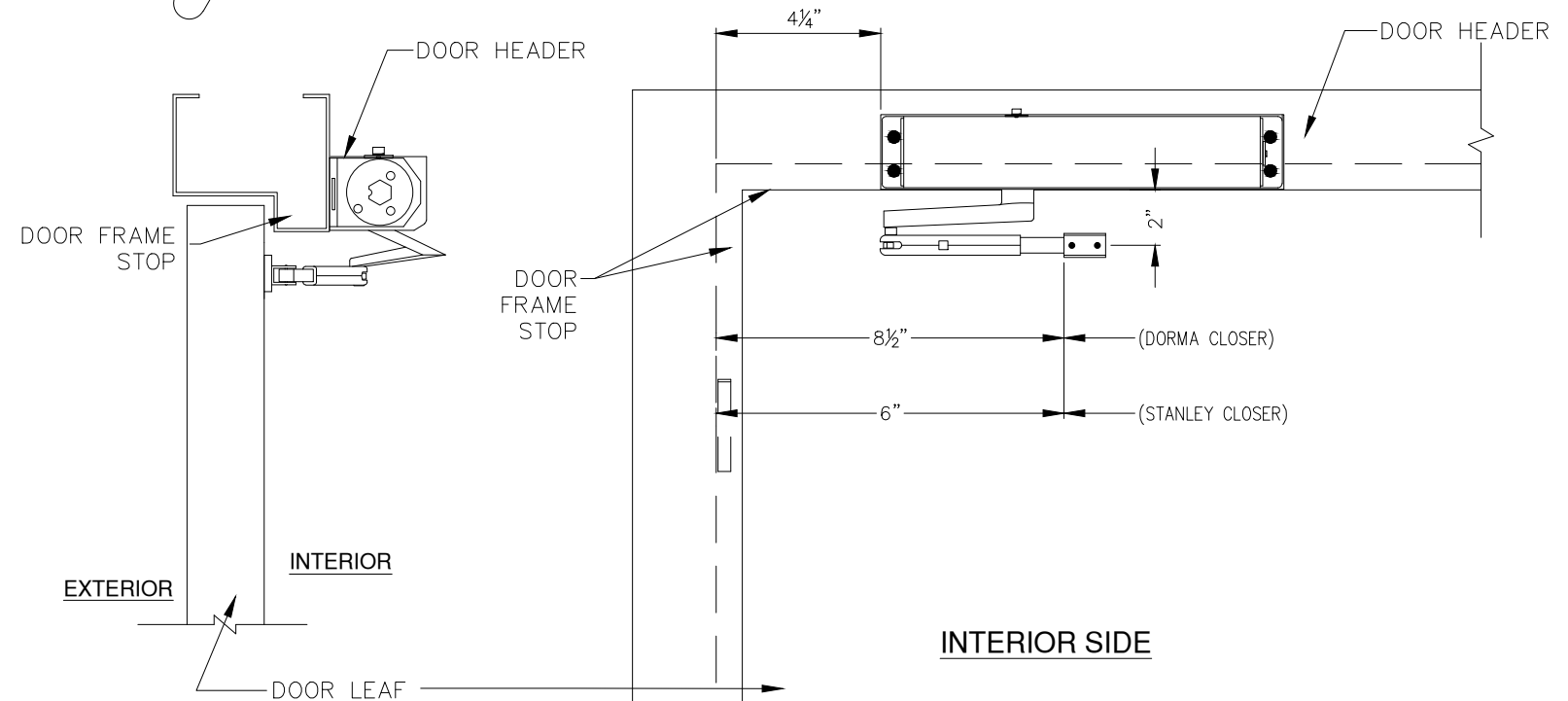


SECTION THRU HEAD

NOTE:
REGULAR ARM MOUNTING OF CLOSER IS RECOMMENDED WHEN CLOSER IS INSTALLED ON "PUSH-SIDE" OF DOOR.



**OPTIONAL DOOR CLOSER MOUNTING DETAILS
(FOR SWING-IN DOORS ONLY)**



NOTES:

- 1). WHEN MEASURING BOTH SIDES OF DOOR, BE SURE TO ALLOW FOR BEVELED EDGE OF DOOR, MAKING CERTAIN THAT HOLES ALIGN.
- 2). \varnothing DIMENSIONS SHOWN ARE TO \varnothing OF HOLES UNLESS NOTED OTHERWISE.
- 3). EXACT HOLES SIZE SHOWN IS IMPORTANT. DO NOT OVERSIZE.
- 4). DISREGARD INSTRUCTIONS PACKED IN DOOR CLOSER BOX FOR CLOSER INSTALLATION DIMENSIONS.

REVISIONS	BY
12-20-10	TLC
02-28-11	TLC
07-06-11	RAP
10-18-11	RAP

PARKLINE, INC
P O Box 65 Winfield, WV 25213
phone: (304) 586-2113

**WALK DOOR CLOSER
INSTALLATION**

DETAILS

DATE	10-21-10
DRAWN BY	TLC
SCALE	N.T.S.
ORDER NO.	
REVISION	4

WD3-CLOS