

SECTION 'A'-'A'

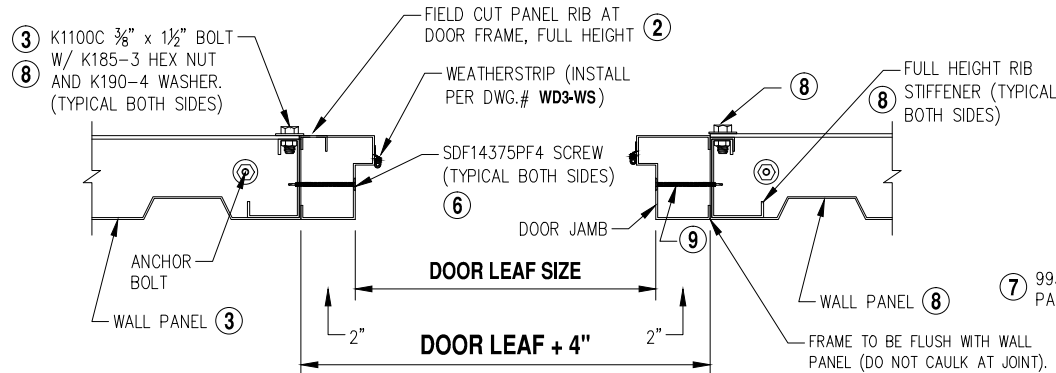
**RIB STIFFENER NOTE:**

1. FULL HEIGHT RIB STIFFENERS MUST BE INSTALLED IN WALL PANEL RIBS BEFORE INSTALLING ANY TYPE OF WALL CAPS.

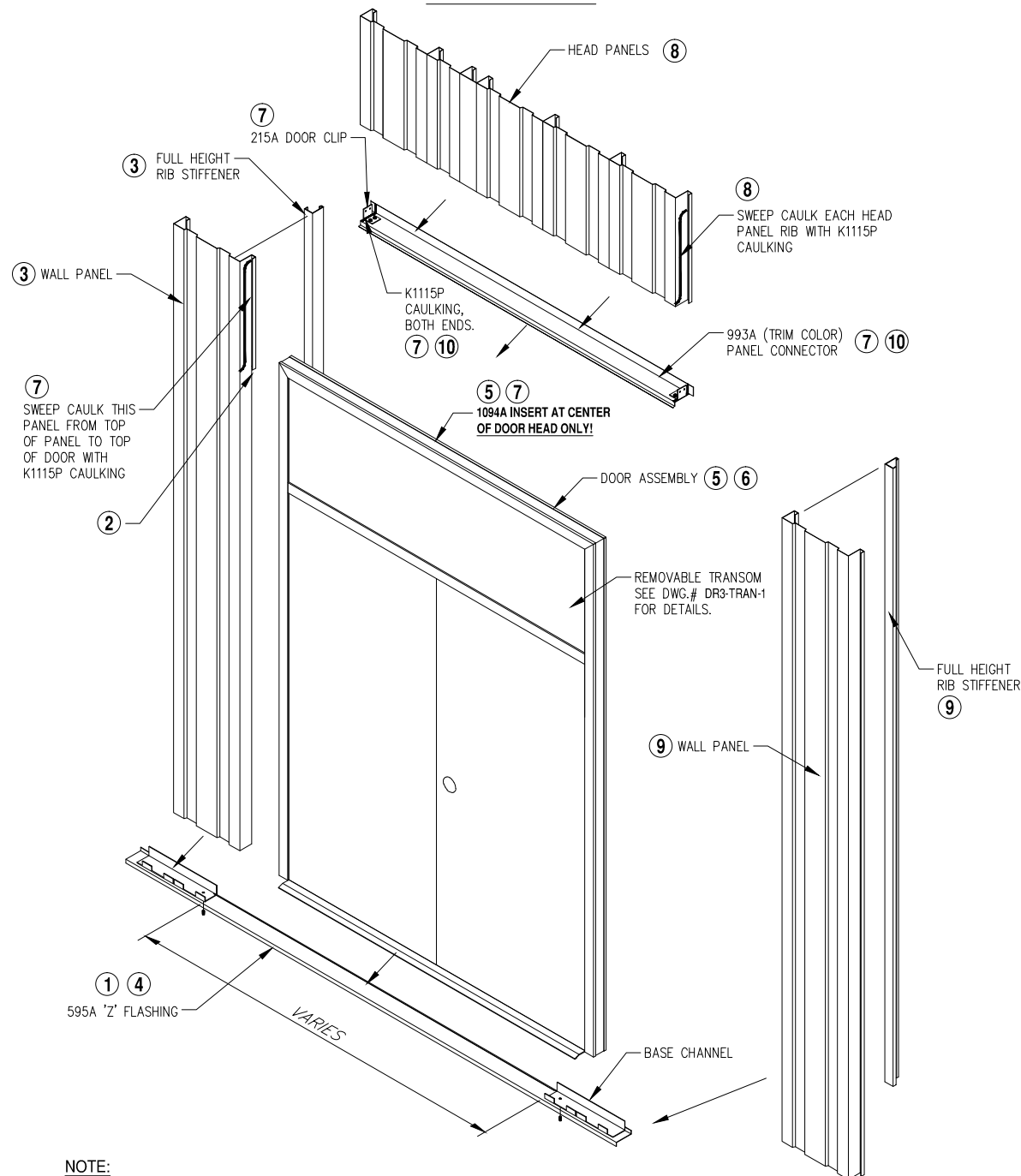
**NOTE:** IT IS RECOMMENDED TO REMOVE THE DOOR LEAFS PRIOR TO INSTALLATION OF FRAME.

**INSTALLATION:**

1. MAKE SURE 595A 'Z' FLASHING RUNS CONTINUOUS UNDER DOOR OPENING.
2. FIELD CUT WALL PANEL RIB FROM TOP OF DOOR TO BOTTOM. (SEE SECTION 'B'-'B')
3. INSTALL WALL PANEL AND FULL HEIGHT STIFFENER TO LEFT OF DOOR OPENING. ATTACH AT BOTTOM (SEE SECTION 'B'-'B')
4. BEND BACK LEG OF 595A 'Z' FLASHING IN THRESHOLD AREA ONLY. FLASHING TO RUN BELOW DOOR FRAMES. (SEE DWG.# WD3-THRSHD)
5. ASSEMBLE DOOR FRAME AND 1094A INSERT ON GROUND IN FRONT OF DOOR OPENING.
6. PLACE DOOR FRAME INTO PLACE. ATTACH LEFT SIDE DOOR JAMB TO WALL PANEL RIB AND RIB STIFFENER WITH SDF14375PF4 SCREWS THROUGH HOLES IN DOOR JAMB. (SEE SECTION 'B'-'B')
7. MAKE SURE THAT THE 1094A INSERT IS CENTERED IN DOOR HEADER. PLACE PANEL CONNECTOR IN PLACE. SWEEP CAULK LEFT WALL PANEL RIB FROM TOP OF PANEL TO PANEL CONNECTOR. (SEE SECTION THRU DOOR) CAULK CONNECTION OF PANEL CONNECTOR TO LEFT WALL PANEL. INSTALL 215A DOOR CLIP TO PANEL CONNECTOR AND LEFT WALL PANEL RIB. (SEE SECTION 'A'-'A')
8. INSTALL HEAD PANELS SWEEP CAULKING EACH RIB. ATTACH PANEL CONNECTOR BACK LEG TO PANEL RIBS. (SEE SECTION 'A'-'A' AND SECTION THRU DOOR)
9. INSTALL WALL PANEL AND FULL HEIGHT STIFFENER TO RIGHT OF DOOR OPENING. ATTACH AT BOTTOM (SEE SECTION 'B'-'B')
10. ATTACH RIGHT SIDE DOOR JAMB TO WALL PANEL RIB AND RIB STIFFENER WITH SDF13375PF4X SCREWS THROUGH HOLES IN DOOR JAMB (SEE SECTION 'B'-'B')
11. CAULK AND ATTACH PANEL CONNECTOR TO RIGHT SIDE AS INSTRUCTED IN #6 ABOVE.
12. FIELD NOTCH DOOR THRESHOLD AS REQUIRED AND INSTALL ACROSS BOTTOM OF DOOR FRAME.
13. INSTALL DOOR LEAVES WITH SUPPLIED HARDWARE. ADJUST AS REQUIRED.



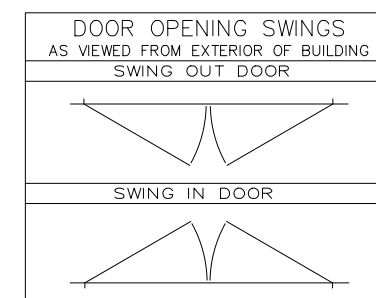
SECTION 'B'-'B'



SECTION THRU DOOR

**GENERAL NOTES:**

1. RHSO ACTIVE LEAF DOOR ASSEMBLY SHOWN. SEE FLOOR PLAN FOR ACTUAL DOOR SWINGS.
2. SWING IN DOORS REQUIRE DOOR FRAME AND LEAF TO BE REVERSED IN WALL.
3. DOOR FRAMING MUST BE INSTALLED AS WALL PANELS ARE ERECTED.
4. DOOR MUST BE INSTALLED SQUARE AND PLUMB.
5. INSTALL WEATHERSTRIP ON DOOR AS SHOWN IN DETAILS ON DRAWING# WD3-WS.
6. IF DOOR CLOSER IS TO BE INSTALLED, REFER TO DRAWING# WD3-CLOS BEFORE BEGINNING DOOR INSTALLATION.
7. SOME WIDER AND HEAVIER DOOR LEAVES MAY REQUIRE THE INSTALLATION OF A PIVOT HINGE. IF SO SEE DWG# WD3-PIVOT.
8. CHECK INSIDE OF DOOR FRAME FOR ADDITIONAL HARDWARE ITEMS SUCH AS KNOBS, ETC.



NOTE: STANDARD DOORS COME WITH THE RIGHT LEAF ACTIVE. EITHER LEAF CAN BE MADE ACTIVE IF REQUIRED.

NOTE: SEE "FLASHING DETAIL @ OPENINGS" ON DRAWING# PE-FLASH-1 FOR TUBE SKID APPLICATIONS.

REVISIONS	BY
09-27-11	RAP

**PARKLINE, INC**  
P O Box 65 Winfield, WV 25213  
phone: (304) 586-2113

**DOUBLE LEAF WALK DOOR WITH 3" DOOR FRAME AND REMOVABLE TRANSOM**

JOB DESCRIPTION

SHEET TITLE

**SECTIONS & DETAILS**

DATE	05-12-11
DRAWN BY	RAP
SCALE	N.T.S.
ORDER NO.	
REVISION	1

**WD3-DBL-T**