

SECTION 'A'-'A'

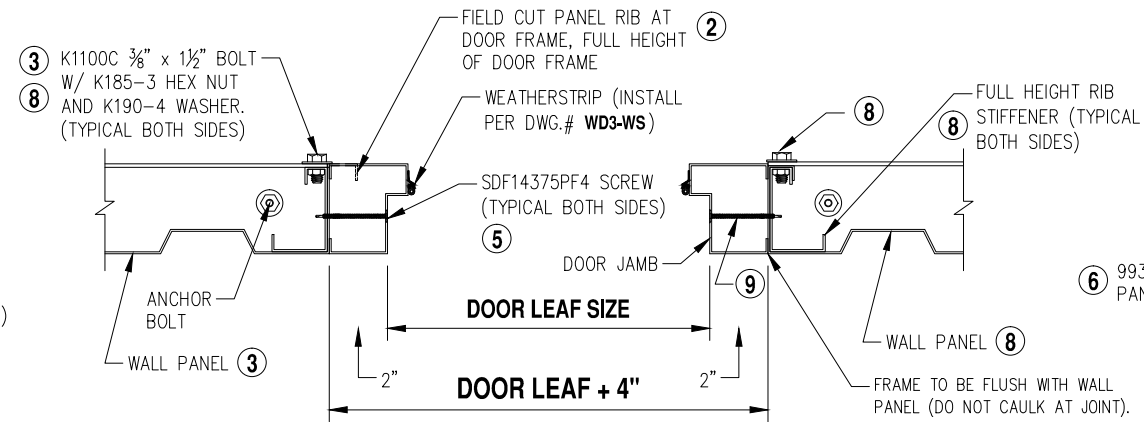
RIB STIFFENER NOTE:

1. FULL HEIGHT RIB STIFFENERS MUST BE INSTALLED IN WALL PANEL RIBS BEFORE INSTALLING ANY TYPE OF WALL CAPS.

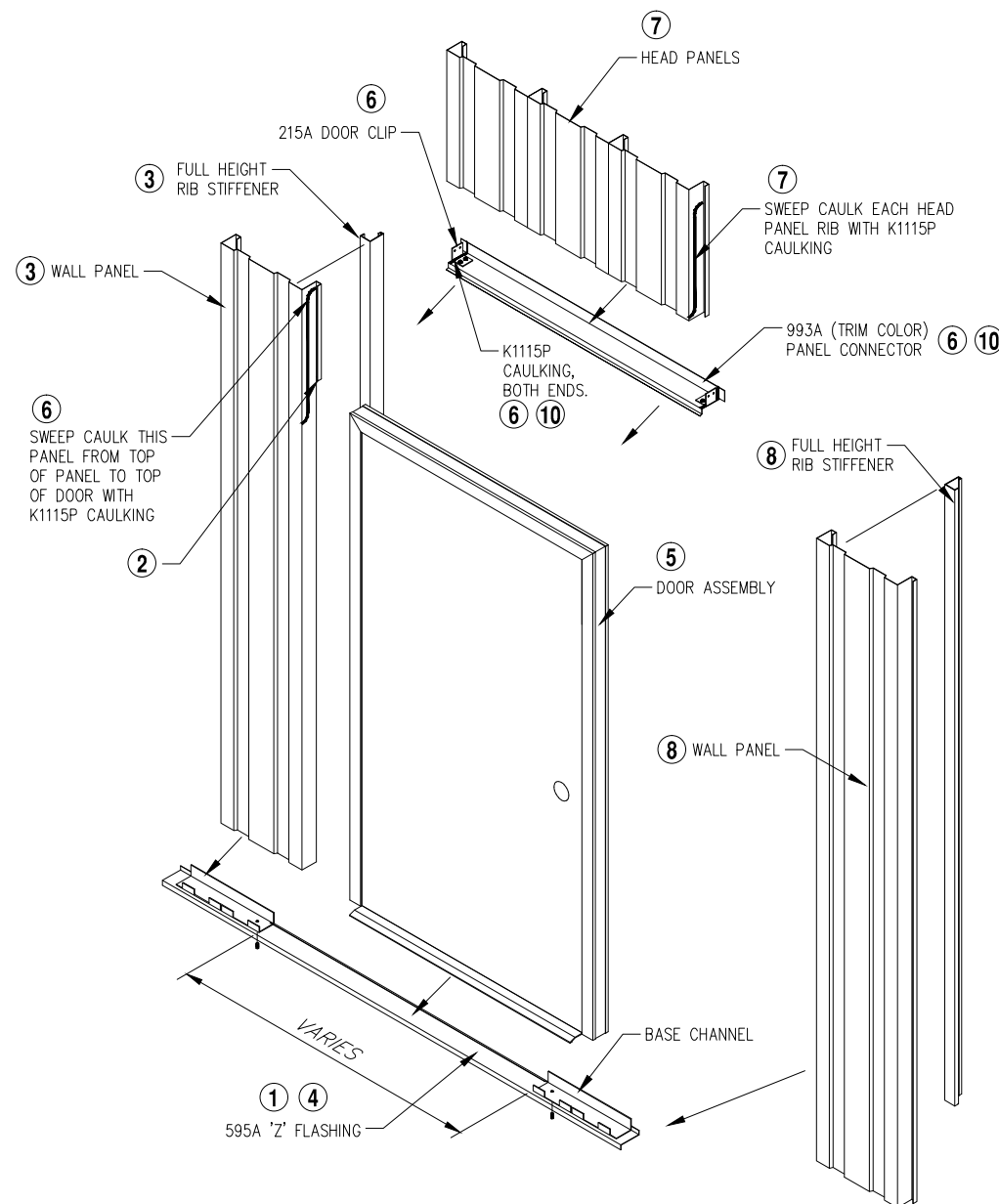
NOTE: IT IS RECOMMENDED TO REMOVE THE DOOR LEAF PRIOR TO INSTALLATION OF FRAME.

INSTALLATION:

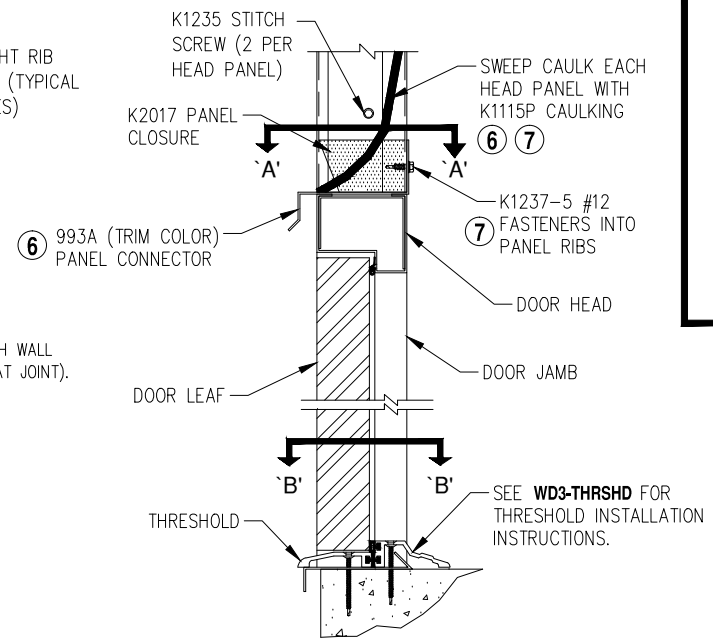
1. MAKE SURE 595A 'Z' FLASHING RUNS CONTINUOUS UNDER DOOR OPENING.
2. FIELD CUT WALL PANEL RIB FROM TOP OF DOOR TO BOTTOM. (SEE SECTION 'B'-'B')
3. INSTALL WALL PANEL AND FULL HEIGHT STIFFENER TO LEFT OF DOOR OPENING. ATTACH AT BOTTOM (SEE SECTION 'B'-'B')
4. BEND BACK LEG OF 595A 'Z' FLASHING IN THRESHOLD AREA ONLY. FLASHING TO RUN BELOW DOOR FRAMES. (SEE DWG.# WD3-THRSHD)
5. PLACE DOOR INTO PLACE. ATTACH LEFT SIDE DOOR JAMB TO WALL PANEL RIB AND RIB STIFFENER WITH SDF14375PF4 SCREWS THROUGH HOLES IN DOOR JAMB. (SEE SECTION 'B'-'B')
6. PLACE PANEL CONNECTOR IN PLACE. SWEEP CAULK LEFT WALL PANEL RIB FROM TOP OF PANEL TO PANEL CONNECTOR. (SEE SECTION THRU DOOR) CAULK CONNECTION OF PANEL CONNECTOR TO LEFT WALL PANEL. INSTALL 215A DOOR CLIP TO PANEL CONNECTOR AND LEFT WALL PANEL RIB. (SEE SECTION 'A'-'A')
7. INSTALL HEAD PANELS SWEEP CAULKING EACH RIB. ATTACH PANEL CONNECTOR BACK LEG TO PANEL RIBS. (SEE SECTION 'A'-'A' AND SECTION THRU DOOR)
8. INSTALL WALL PANEL AND FULL HEIGHT STIFFENER TO RIGHT OF DOOR OPENING. ATTACH AT BOTTOM (SEE SECTION 'B'-'B')
9. ATTACH RIGHT SIDE DOOR JAMB TO WALL PANEL RIB AND RIB STIFFENER WITH SDF14375PF4 SCREWS THROUGH HOLES IN DOOR JAMB (SEE SECTION 'B'-'B')
10. CAULK AND ATTACH PANEL CONNECTOR TO RIGHT SIDE AS INSTRUCTED IN #6 ABOVE.



SECTION 'B'-'B'



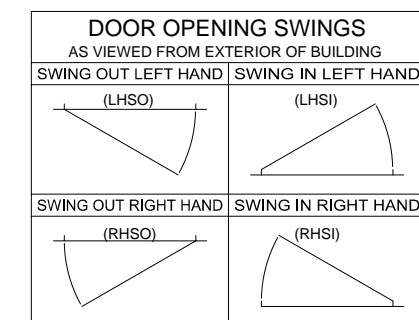
NOTE: SEE "FLASHING DETAIL @ OPENINGS" ON DRAWING# PE-FLASH-1 FOR TUBE SKID APPLICATIONS.



SECTION THRU DOOR

GENERAL NOTES:

1. LHSO DOOR ASSEMBLY SHOWN, SEE FLOOR PLAN FOR ACTUAL DOOR SWINGS.
2. SWING IN DOORS REQUIRE DOOR FRAME AND LEAF TO BE REVERSED IN WALL.
3. DOOR FRAMING MUST BE INSTALLED AS SHOWN IN DETAILS ON DRAWING# WD3-WS.
4. DOOR MUST BE INSTALLED SQUARE AND PLUMB.
5. INSTALL WEATHERSTRIP ON DOOR AS SHOWN IN DETAILS ON DRAWING# WD3-WS.
6. IF DOOR CLOSER IS TO BE INSTALLED, REFER TO DRAWING# WD3-CLOS BEFORE BEGINNING DOOR INSTALLATION.
7. SOME WIDER AND HEAVIER DOOR LEAVES MAY REQUIRE THE INSTALLATION OF A PIVOT HINGE. IF SO SEE DWG# WD3-PIVOT.
8. CHECK INSIDE OF DOOR FRAME FOR ADDITIONAL HARDWARE ITEMS SUCH AS KNOBS, ETC.



SEE NOTE #2

REVISIONS	BY
12-29-10	TLC
05-12-11	RAP
07-22-11	RAP
09-27-11	RAP
11-16-11	RAP
11-18-11	TLC

PARKLINE, INC
 P O Box 65 Winfield, WV 25213
 phone: (304) 586-2113

SECTION DESCRIPTION
 SINGLE LEAF WALK DOOR WITH 3" DOOR FRAME INSTALLATION

SHEET TITLE
 SECTIONS & DETAILS

DATE	11-9-10
DRAWN BY	CBP
SCALE	N.T.S.
ORDER NO.	
REVISION	6

WD3-SGL