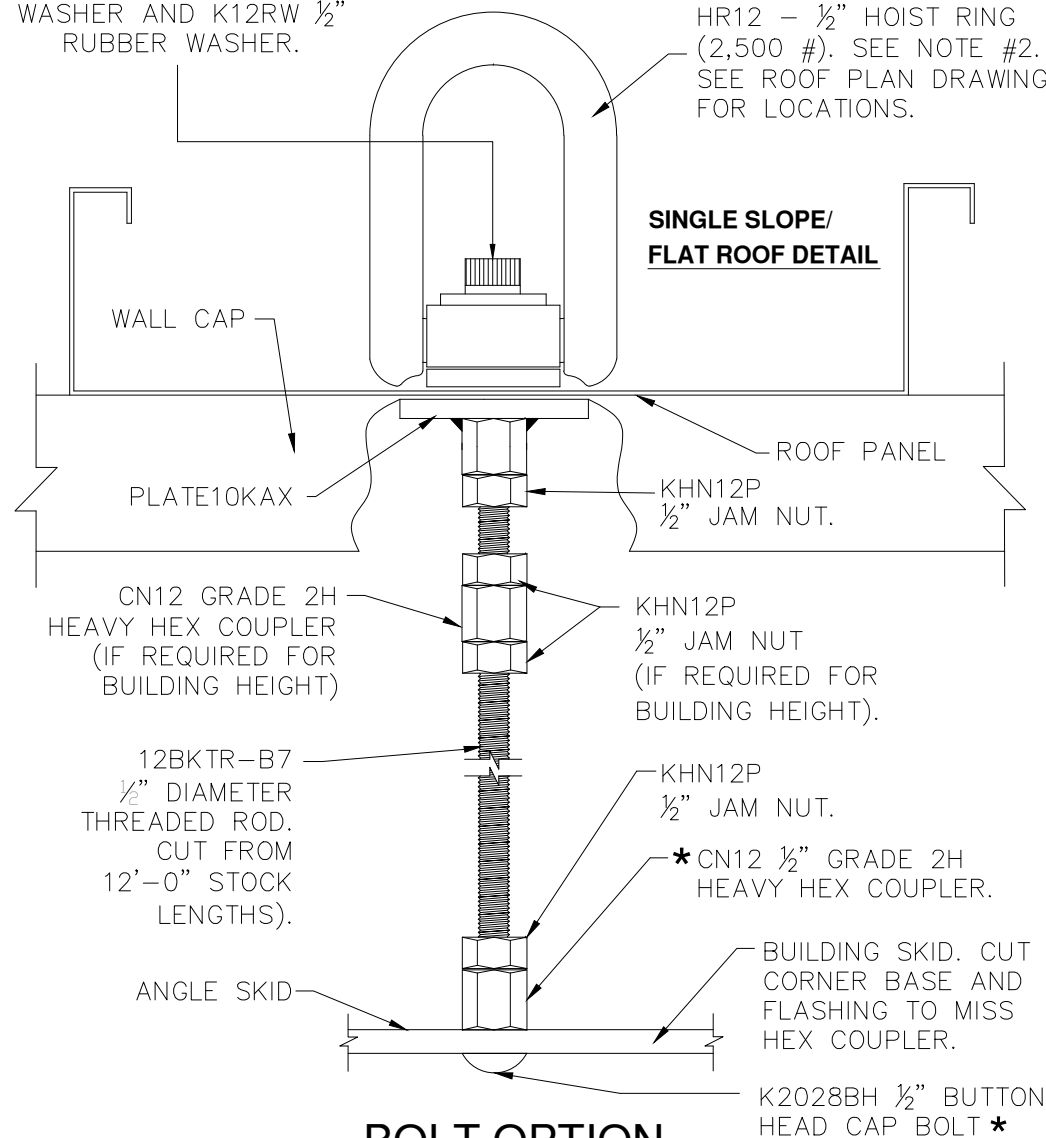


REPLACE HOIST RING W/
K1161H1SS 1/2"x1 1/2" H.S. BOLT
WITH FW12P 1/2" FLAT
WASHER AND K12RW 1/2"
RUBBER WASHER.

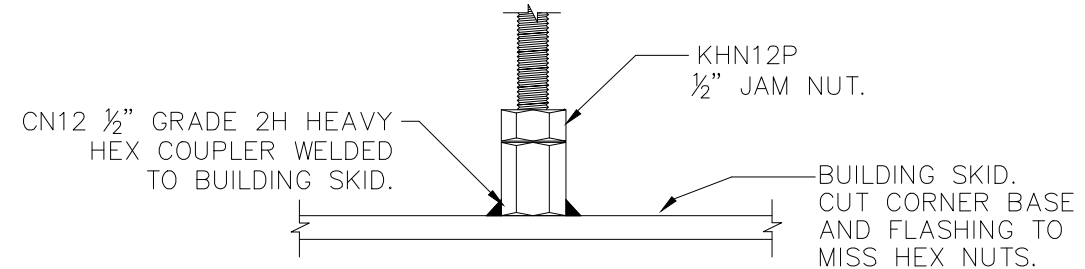
HR12 - 1/2" HOIST RING
(2,500 #). SEE NOTE #2.
SEE ROOF PLAN DRAWING
FOR LOCATIONS.

**SINGLE SLOPE/
FLAT ROOF DETAIL**



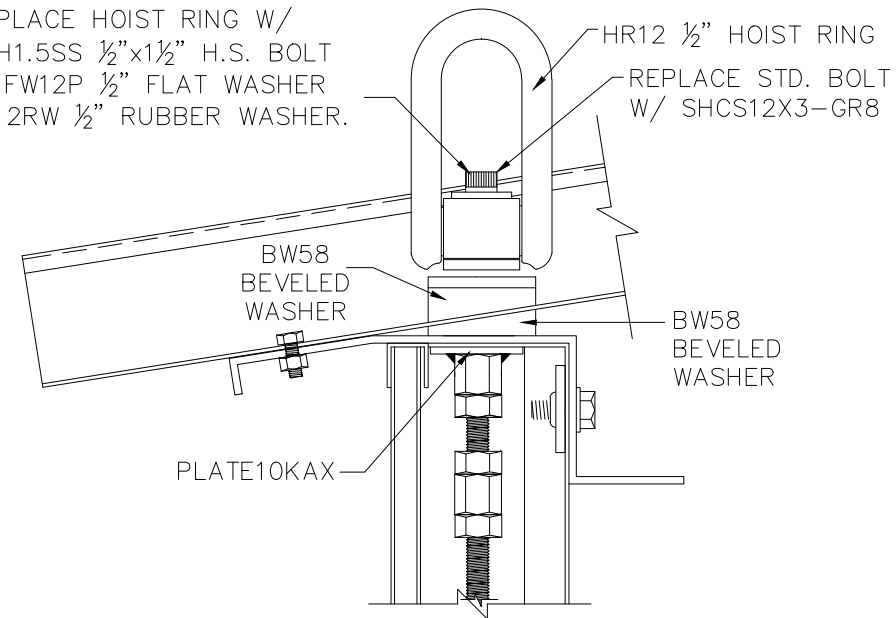
BOLT OPTION

(NOT USED WITH TUBE SKIDS)

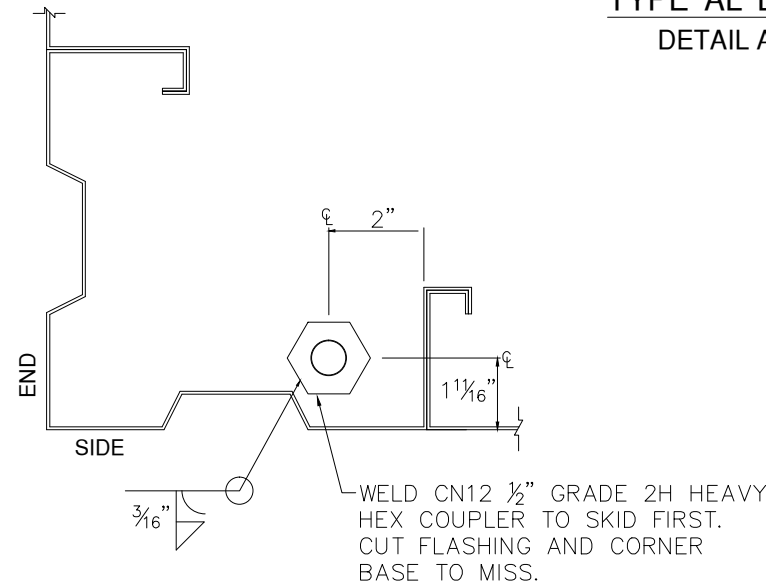


WELD OPTION

REPLACE HOIST RING W/
K1161H1.5SS 1/2"x1 1/2" H.S. BOLT
WITH FW12P 1/2" FLAT WASHER
AND K12RW 1/2" RUBBER WASHER.



TYPE 'AL' BUILDING DETAIL AT ROOF
DETAIL AT BASE SAME AS TYPE 'S'.



WELD OPTION

NOTE:

- CUTTING OF THREADED ROD REQUIRED TO ACHIEVE CORRECT LENGTH. HIGHSIDE IS 1 1/2" TALLER THAN LOWSIDE (ON SINGLE SLOPE BUILDINGS ONLY).
- [SITE WORK]** AFTER BUILDING IS SET AND ANCHORED REMOVE HOIST RING WITH A 3/8" ALLEN HEAD WRENCH (NOT PROVIDED BY PARKLINE). REPLACE WITH K1161H1SS 1/2" BOLT, FW12P 1/2" FLAT WASHER AND K12RW 1/2" RUBBER WASHER (FOR TYPE 'S' BUILDINGS). FOR TYPE 'AL' BUILDINGS, REMOVE TOP BEVELED WASHER AND APPLY CAULK TO AREA THAT BEVELED WASHER SETS. RE-INSTALL BEVELED WASHER AND USE K1161H1.5SS 1/2" BOLT, FW12P 1/2" FLAT WASHER AND K12RW 1/2" RUBBER WASHER.
- * FOR BUILDINGS MOUNTED TO TUBE SKIDS: REPLACE BOLT OPTION WITH WELD OPTION.
- EACH SIDEWALL WALL CAP SPLICE MUST BE REINFORCED WITH #789A CAP SPLICE. THIS APPLIES TO ALL TYPE SIDEWALL CAPS. (NOT USED ON TYPE 'AL' BUILDING)
- ROOF LIFTING SYSTEM FOR BUILDINGS WEIGHING UP TO 10,000 IBS MAXIMUM.

MATERIAL LIST (PARTS TO SHIP W/ BUILDING)

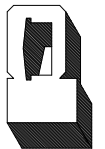
PART NO.	DESCRIPTION
K1161H1SS	1/2" x 1" BOLT (STAINLESS) TYPE 'S'
K1161H1.5SS	1/2" x 1 1/2" BOLT (STAINLESS) TYPE 'AL'
K12RW	1/2" RUBBER WASHER
FW12P	1/2" FLAT WASHER

MATERIAL LIST

PART NO.	DESCRIPTION
HR12	1/2" HOIST RING (2,500#)
PLATE10KAX	10K-LIFT TOP PLATE WITH WELDED NUT
12BKTR-B7	1/2" THREADED ROD
KHN12P	1/2" JAM NUT
CN12	1/2" GRADE 2H HEAVY HEX COUPLER
K2028BH	1/2" BUTTON HEAD CAP SCREW
BW58	5/8" BEVELED WASHER (TYPE 'AL' ONLY)
SHCS12X3-GR8	1/2" X 3" SOCKET HEAD BOLT ('AL' ONLY)

REVISIONS	BY
04-07-04	RAP
03-21-05	RAP
04-22-05	RAP
01-13-06	CBP
01-25-06	CEM
02-12-07	BHKJ
05-14-06	BAS
09-26-08	KRK
08-07-09	CEM
12-13-11	KRK

PARKLINE, INC.
RT. 62, ELEANOR INDUSTRIAL PARK
ELEANOR, WV 25070
PHONE: 800-786-4855
FAX: 304-586-3842
EMAIL: PARKLINE@PARKLINE.COM
ENGINEER: TOM HARDING
THARDING@PARKLINE.COM



JOB DESCRIPTION
**10K LIFTING SYSTEM
FOR TYPE 'S' & 'AL' BLDG.**

SHEET TITLE
INSTALLATION DETAIL

DATE	08-24-01
DRAWN BY	DLR
SCALE	NTS
ORDER NO.	
REVISION	16

10K-LIFT