

ROOF CURB S - TYPE BLDG.

PRODUCT DESCRIPTION

ROOF CURB

Roof curbs shall be constructed of minimum 18 gauge Galvalume steel. Minimum height of curb shall be 4" above the roof panel rib. All flashings shall be provided to ensure water tightness.

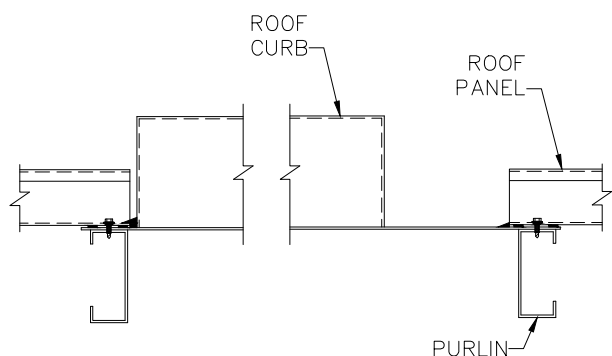
All roof curb support members are constructed of minimum 14 gauge galvanized steel.

Optional hatch or cover is available.

NOTE: INTERIOR CLEAR HEIGHT MAY BE AFFECTED.

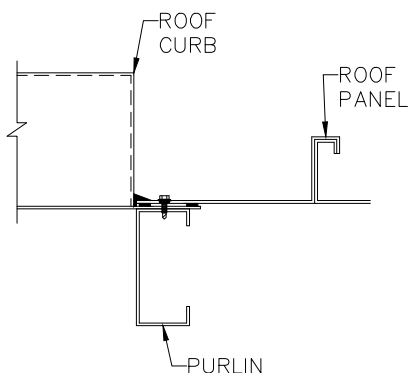
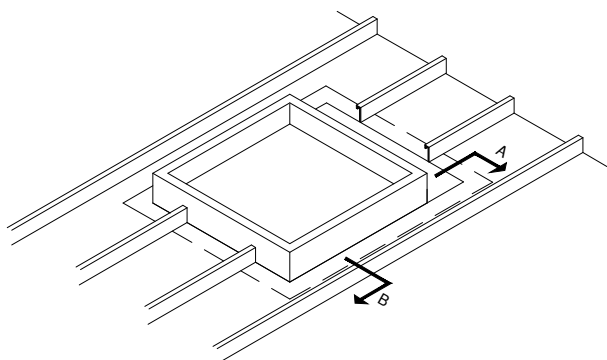
Standard sizes:

2'-8" x 2'-8"
4'-0" x 4'-0"



SECTION A

STANDARD CLEAR HT. = EAVE HT. - 7"



SECTION B

PRODUCT NAME

Roof Curb

MANUFACTURER

Parkline, Inc.

P.O. Box 65

Winfield, West Virginia 25213

Phone: (304) 586-2113 in WV

(800) 786-4855 outside WV

(304) 586-3842 FAX

web: <http://www.parkline.com>

E-mail: parkline@parkline.com



PARKLINE, INC.

13122RCS