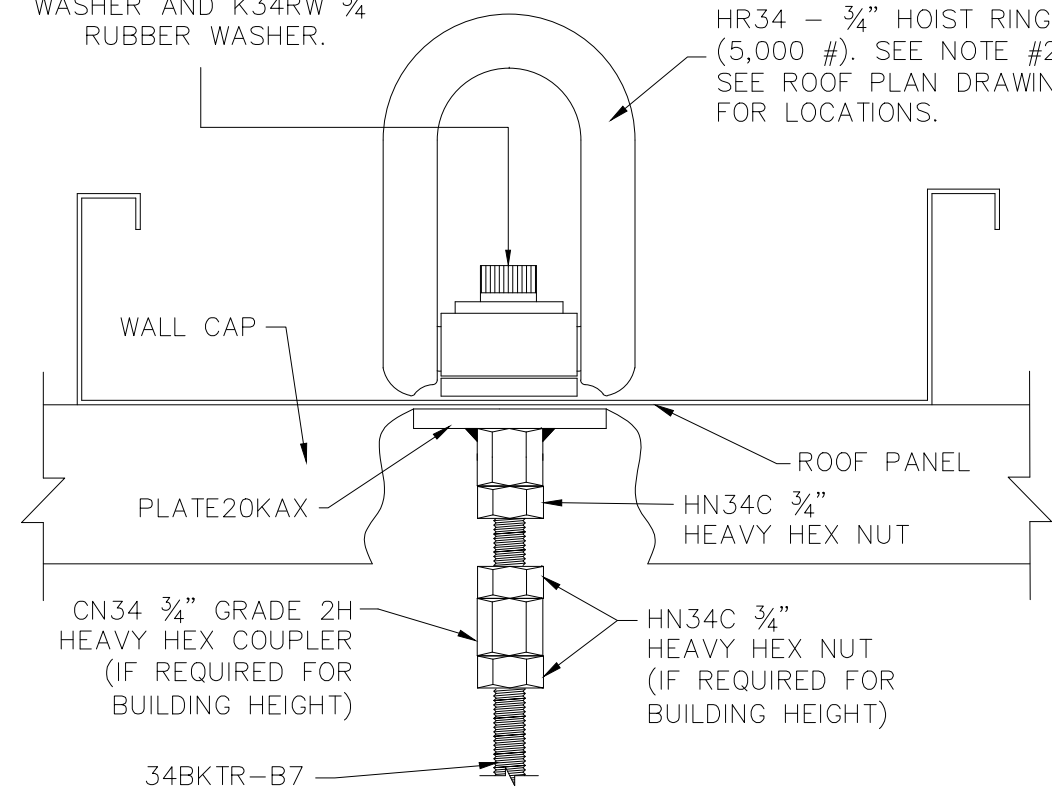
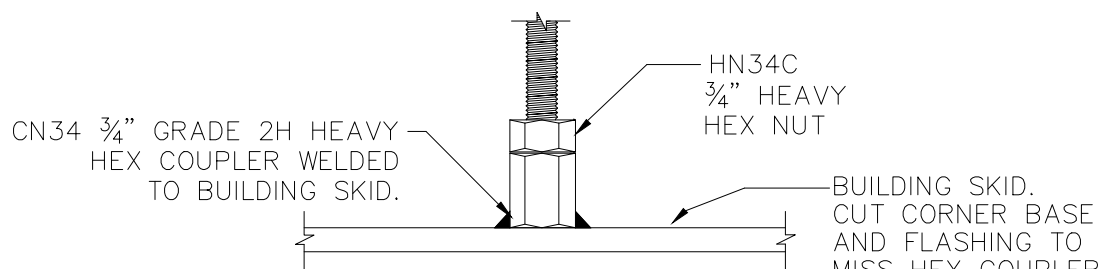


REPLACE HOIST RING W/
K895H605SS 3/4"x1" H.S.
BOLT WITH FW34P 3/4" FLAT
WASHER AND K34RW 3/4"
RUBBER WASHER.



**TYPE 'S' BUILDING
DETAIL AT ROOF**



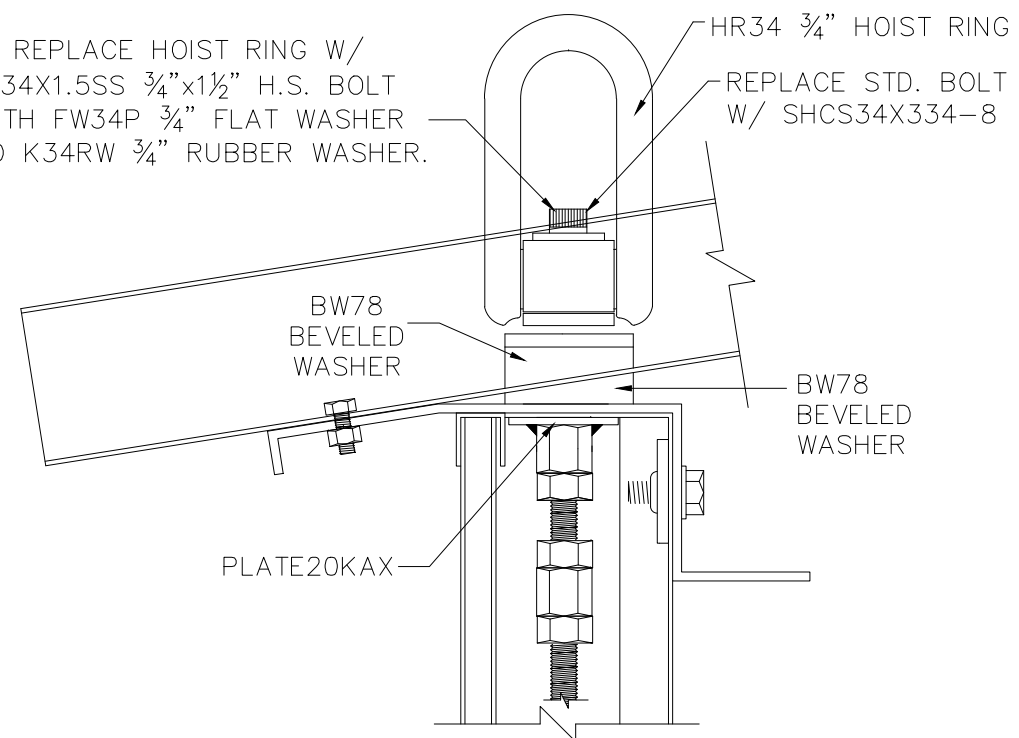
WELD OPTION

MATERIAL LIST (PARTS TO SHIP W/ BUILDING)

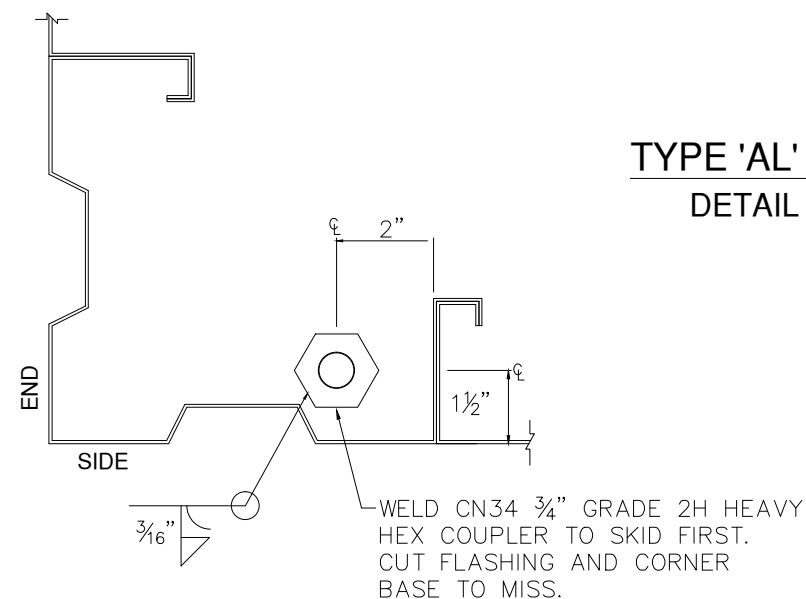
PART NO.	DESCRIPTION
K895H605SS	3/4" x 1" BOLT (STAINLESS) TYPE 'S'
K34X1.5SS	3/4" x 1 1/2" BOLT (STAINLESS) TYPE 'AL'
K34RW	3/4" RUBBER WASHER
FW34P	3/4" FLAT WASHER

HR34 - 3/4" HOIST RING
(5,000 #). SEE NOTE #2.
SEE ROOF PLAN DRAWING
FOR LOCATIONS.

REPLACE HOIST RING W/
K34X1.5SS 3/4"x1 1/2" H.S. BOLT
WITH FW34P 3/4" FLAT WASHER
AND K34RW 3/4" RUBBER WASHER.



**TYPE 'AL' BUILDING DETAIL AT ROOF
DETAIL AT BASE SAME AS TYPE 'S'.**



**BASE DETAIL
TYPE 'S' AND 'AL' BUILDINGS**

MATERIAL LIST

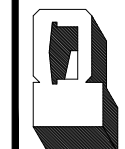
PART NO.	DESCRIPTION
HR34	3/4" HOIST RING (5,000#)
PLATE20KAX	20K-LIFT TOP PLATE WITH WELDED NUT
34BKTR-B7	3/4" THREADED ROD
HN34C	3/4" HEAVY HEX NUT
CN34	3/4" GRADE 2H HEAVY HEX COUPLER
BW78	7/8" BEVELED WASHER (TYPE 'AL' ONLY)
SHCS34X334-8	3/4" X 3 3/4" SOCKET HEAD BOLT ('AL' ONLY)

NOTE:

- CUTTING OF THREADED ROD REQUIRED TO ACHIEVE CORRECT LENGTH. HIGH SIDE IS TALLER THAN LOW SIDE (ON SINGLE SLOPE BUILDINGS ONLY).
- [SITE WORK]** AFTER BUILDING IS SET AND ANCHORED REMOVE HOIST RING WITH A 5/8" ALLEN HEAD WRENCH (NOT PROVIDED BY PARKLINE). REPLACE WITH K895H605SS 3/4" BOLT, FW34P 3/4" FLAT WASHER AND K34RW 3/4" RUBBER WASHER (FOR TYPE 'S' BUILDINGS). FOR TYPE 'AL' BUILDINGS, REMOVE TOP BEVELED WASHER AND APPLY CAULK TO AREA THAT BEVELED WASHER SETS. RE-INSTALL BEVELED WASHER, K34X1.5SS 3/4" BOLT, FW34P 3/4" FLAT WASHER AND K34RW 3/4" RUBBER WASHER.
- EACH SIDE WALL WALL CAP SPLICE MUST BE REINFORCED WITH #789A CAP SPLICE. THIS APPLIES TO ALL 'S' TYPE SIDE WALL CAPS. (NOT USED ON TYPE 'AL' BUILDING)
- ROOF LIFTING SYSTEM FOR BUILDINGS WEIGHING UP TO 20,000 IBS MAXIMUM.

REVISIONS	BY
04-07-04	RAP
03-21-05	RAP
04-22-05	RAP
01-25-06	CEM
02-12-07	BHKJ
05-15-08	BAS
09-26-08	BAS
08-07-09	CEM
09-01-09	CEM
05-14-2012	KRK

PARKLINE, INC.
RT. 62, ELEANOR INDUSTRIAL PARK
ELEANOR, WV 25070
EMAIL: PARKLINE@PARKLINE.COM
PHONE: 800-786-4855
FAX: 304-586-3842
ENGINEER: TOM HARDING
THARDING@PARKLINE.COM



**20K LIFTING SYSTEM
FOR TYPE 'S' AND 'AL'
BUILDINGS**

INSTALLATION DETAILS

DATE	6-2-03
DRAWN BY	DLR
SCALE	NTS
ORDER NO.	
REVISION	14

20K-LIFT