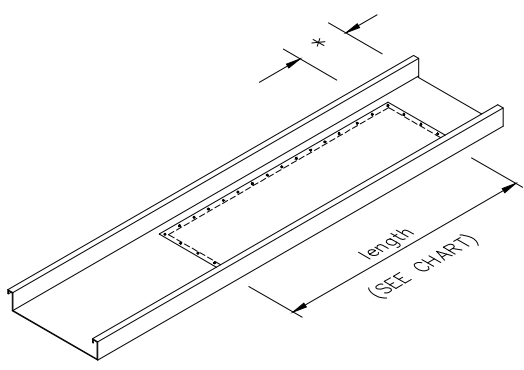


# SKYLIGHTS FOR 'S' AND 'AL' - TYPE BUILDINGS



\* 6" from ridge for 'AL' type bldgs.  
Skylight is centered in panel for  
'S' type bldgs.

**NOTE :**

1. - Skylight panels are field located as required.
2. - Skylight panels must have at least one solid panel between each.
3. - Skylights for 6" rib roof panels are 8" wide in lieu of 12".

## PRODUCT DESCRIPTION

### SKYLIGHTS

A Skylight Panel shall be flat polycarbonate sheet, factory assembled into a standard 16" wide flush interlocking panel. The polycarbonate sheet shall be 1/8" thick, clear with a matte finish, having a light transmission factor of approximately 70%. The panel shall meet ANSI Z 97.1 safety glazing standard and UL 94 flammability rating.

SKYLIGHT SIZE	'S' BLDG. WIDTHS	'AL' BLDG. WIDTHS
12" x 2'-0"	N/A	8'-0"
12" x 4'-0"	5'-4" and 6'-8"	12'-0"
12" x 6'-0"	8'-0" - 20'-0"	16'-0" - 32'-0"