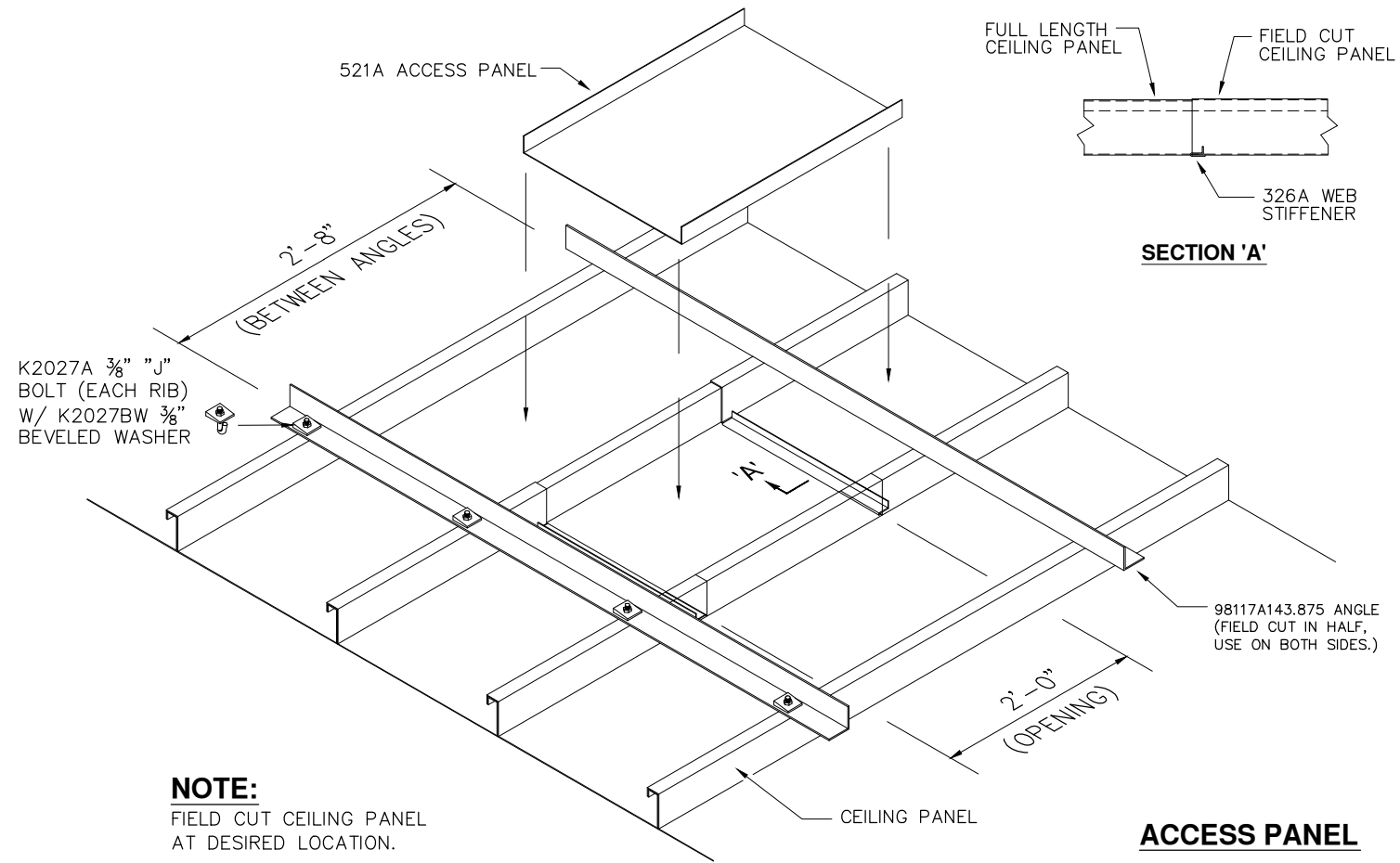


CEILING PANEL WITH SKYLIGHT PANEL.

WHEN A BUILDING USES SKYLIGHT PANELS IN THE ROOF IT IS NECESSARY TO INSTALL SKYLIGHT PANELS IN THE CEILING. PANELS SHOULD LINE UP DIRECTLY BELOW THE ROOF PANELS

SKYLIGHT



K2027A 3/8" "J" BOLT (EACH RIB) W/ K2027BW 3/8" BEVELED WASHER

FULL LENGTH CEILING PANEL
FIELD CUT CEILING PANEL
326A WEB STIFFENER

SECTION 'A'

98117A143.875 ANGLE (FIELD CUT IN HALF, USE ON BOTH SIDES.)

CEILING PANEL

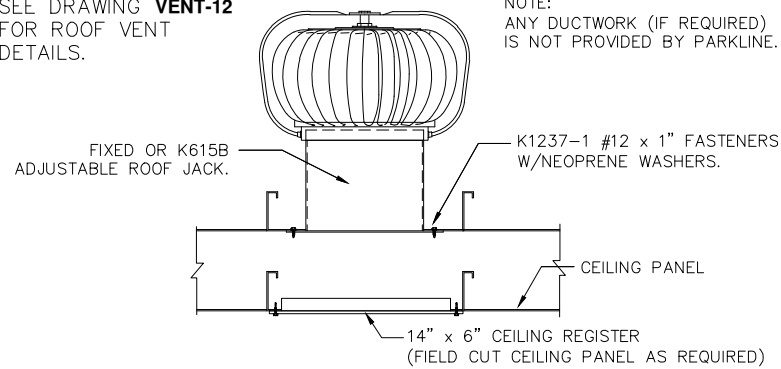
ACCESS PANEL

NOTE:

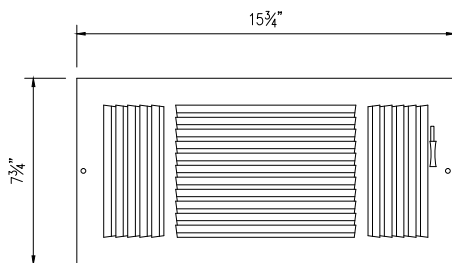
FIELD CUT CEILING PANEL AT DESIRED LOCATION.

SEE DRAWING VENT-12 FOR ROOF VENT DETAILS.

NOTE: ANY DUCTWORK (IF REQUIRED) IS NOT PROVIDED BY PARKLINE.

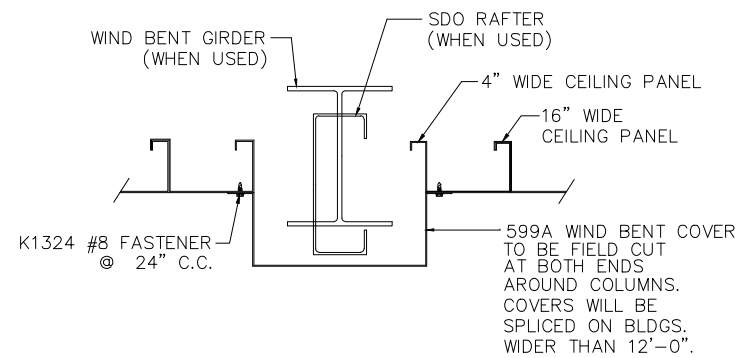


ROOF VENT WITH CEILING REGISTER

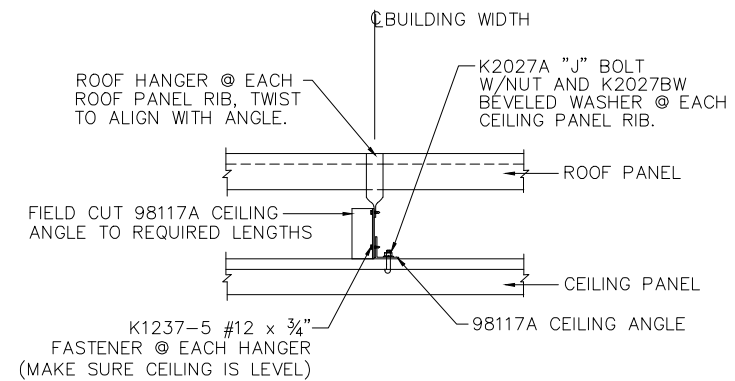


CEILING REGISTER

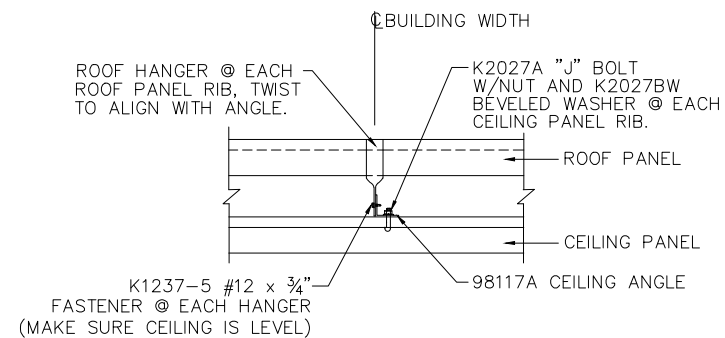
TYPICAL SIZE SHOWN. ACTUAL SIZE MAY VARY WITH BUILDING SIZE.



FULL HEIGHT CEILING AT WIND BENT

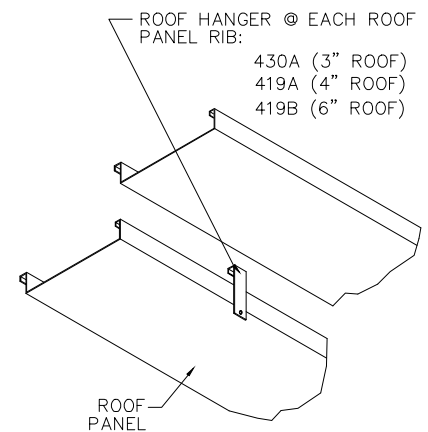


SECTION AT DROPPED CEILING



SECTION AT FULL HEIGHT CEILING

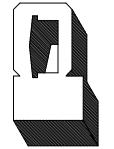
NOTE: IF CEILING IS DROPPED FIELD CUT SECTIONS OF 98117A CEILING ANGLE TO REQUIRED LENGTH TO ATTACH ROOF HANGER TO CEILING ANGLE.



ROOF HANGER DETAILS FOR TYPE 'S' BUILDINGS WIDER THAN 16'-0" ONLY.

REVISIONS	BY
05-17-12	TLC

PARKLINE, INC.
RT. 62, ELEANOR INDUSTRIAL PARK
ELEANOR, WY 25070
PHONE: 800-786-4855
FAX: 304-586-3842
EMAIL: PARKLINE@PARKLINE.COM
ENGINEER: TOM HARDING
THARDING@PARKLINE.COM



OPTIONAL CEILING ACCESSORIES FOR TYPE 'S' AND 'AL' BUILDINGS

DATE	7/05/11
DRAWN BY	TLC
SCALE	NTS
ORDER NO.	
REVISION	1

CEIL-ACC