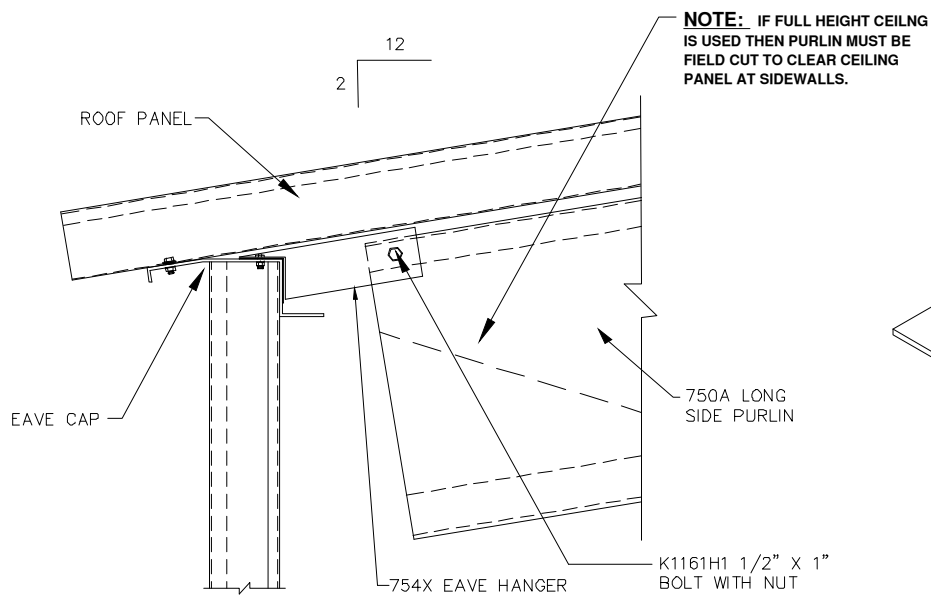
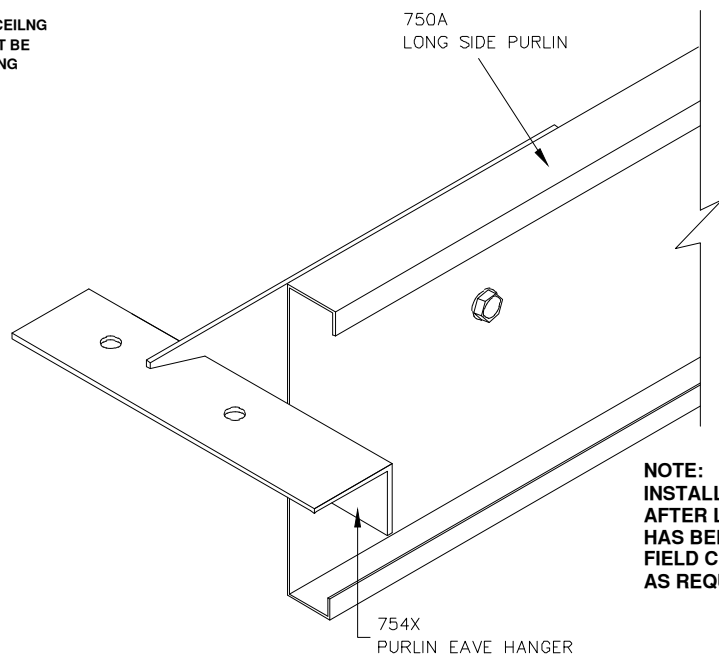


**NOTE:**  
 ROOF CURBS ARE TO BE FIELD  
 LOCATED AND CUT. THE **MINIMUM**  
 SIDE GAP ALLOWABLE BETWEEN  
 ROOF PANEL LEG AND CURB **MUST**  
**BE 6"** FOR PROPER CAULKING.

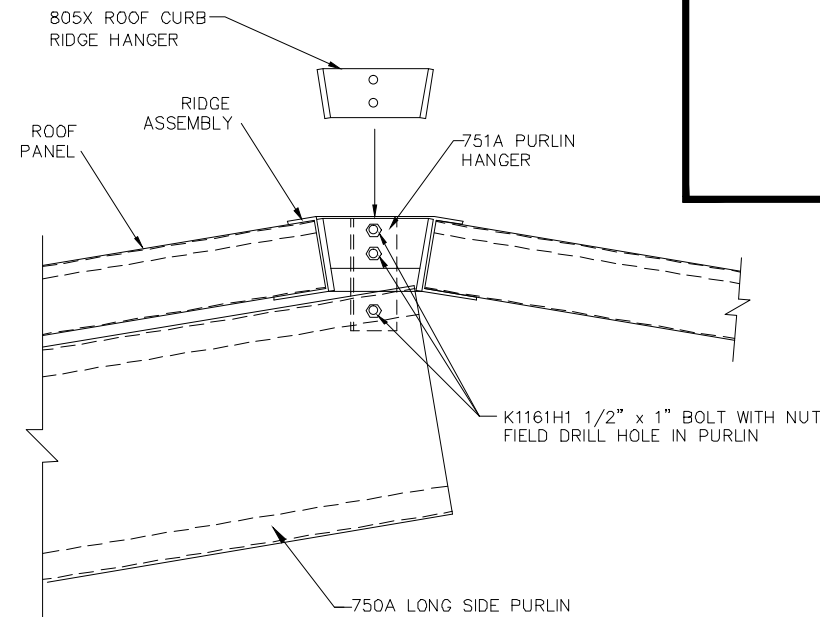


**PURLIN CONNECTION AT EAVE  
 DETAIL #1**

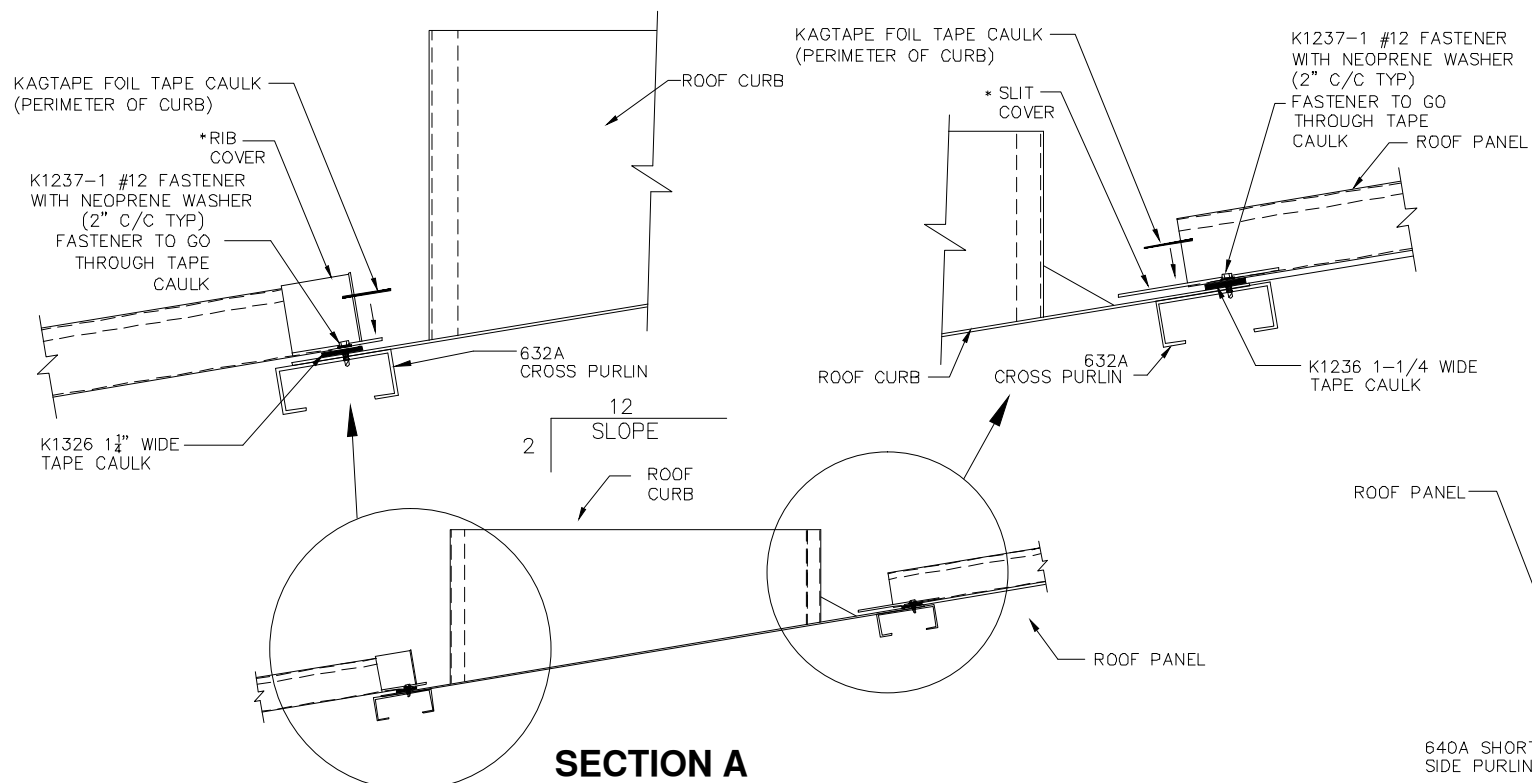


**ISO VIEW OF PURLIN CONNECTION AT EAVE**

**NOTE:**  
 INSTALL DIAGONAL BRACE  
 AFTER LONG SIDE PURLIN  
 HAS BEEN INSTALLED.  
 FIELD CUT HOLE IN PURLIN  
 AS REQUIRED.



**PURLIN CONNECTION AT RIDGE  
 DETAIL #2**



**NOTE:** 750A LONG SIDE PURLIN NOT SHOWN  
 IN THIS SECTION FOR CLARITY.

**NOTE:** 632A CROSS PURLIN NOT SHOWN  
 IN THIS SECTION FOR CLARITY.

**NOTE:** SEE (DRAWING CURB-AL-1) FOR  
 DETAILS IF CEILING IS REQUIRED.

**NOTE:** 2'-8" WIDE CURB SHOWN. DETAILS  
 ARE THE SAME FOR OTHER SIZES.

REVISIONS	BY
12-3-99	DLR
02-25-00	DLR
08-09-00	DLR
02-22-01	DLR
07-31-01	DLR
06-04-03	RAP
09-03-03	DLR
01-06-05	WBD
03-31-09	JMC

**PARKLINE, INC.**  
 P O Box 65 Winfield, WV 25213  
 phone: (304) 586-2113

**ROOF CURB INSTALLATION  
 FOR TYPE 'AL' BUILDING**  
 SHEET TITLE  
**SECTION AND DETAILS**

DATE	11-16-99
DRAWN BY	DLR
SCALE	NTS
ORDER NO.	
REVISION	9
DWG. NO.	CURB-AL-2