

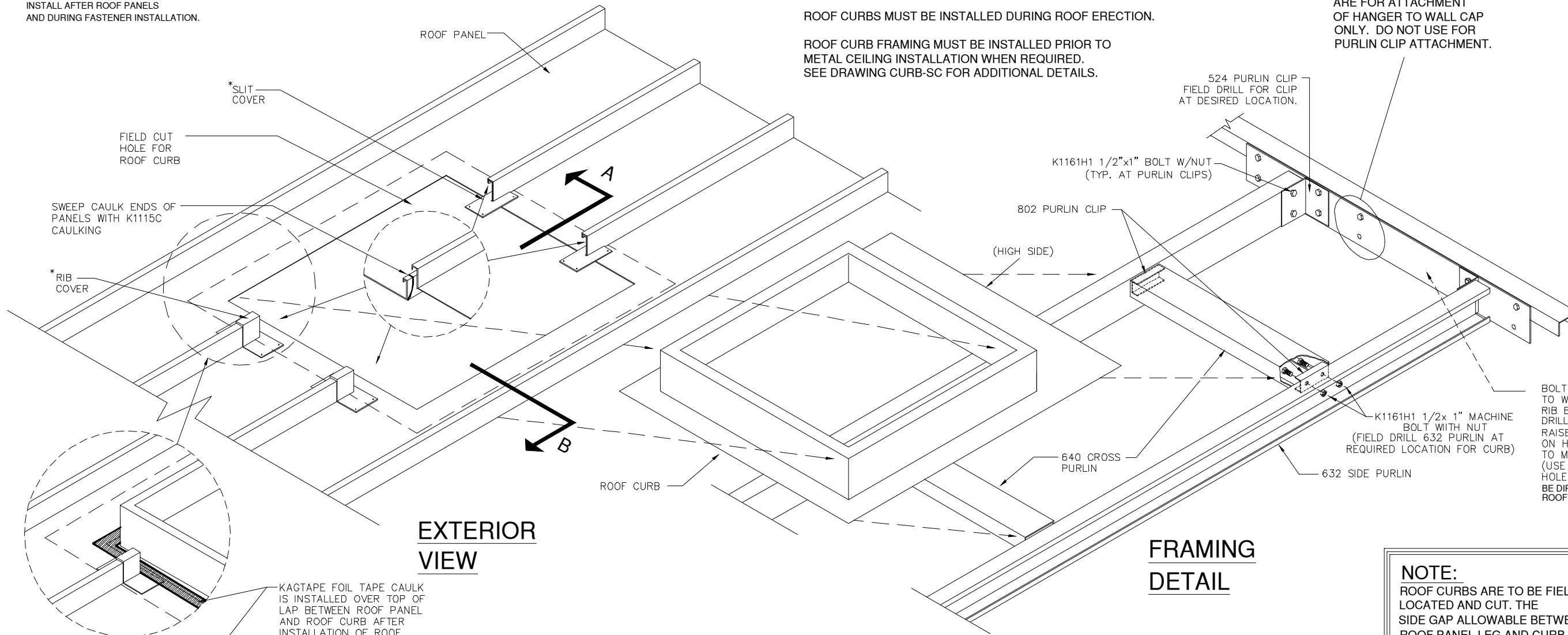
\* SHOWN IN INSTALLED POSITION.  
INSTALL AFTER ROOF PANELS  
AND DURING FASTENER INSTALLATION.

NOTE: ROOF CURBS ARE TO BE FIELD LOCATED AND CUT.

ROOF CURBS MUST BE INSTALLED DURING ROOF ERECTION.

ROOF CURB FRAMING MUST BE INSTALLED PRIOR TO  
METAL CEILING INSTALLATION WHEN REQUIRED.  
SEE DRAWING CURB-SC FOR ADDITIONAL DETAILS.

NOTE:  
PREPUNCHED HOLES IN HANGER  
ARE FOR ATTACHMENT  
OF HANGER TO WALL CAP  
ONLY. DO NOT USE FOR  
PURLIN CLIP ATTACHMENT.



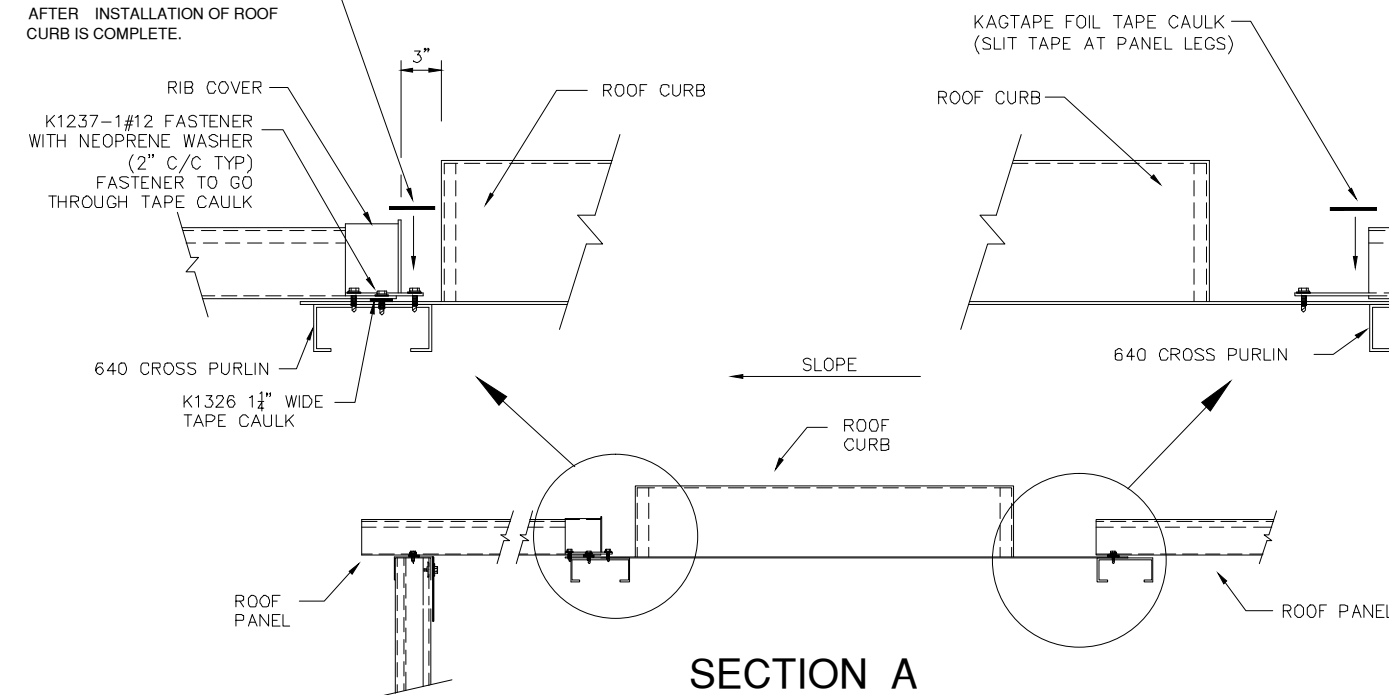
**EXTERIOR  
VIEW**

**FRAMING  
DETAIL**

**NOTE:**  
ROOF CURBS ARE TO BE FIELD  
LOCATED AND CUT. THE MINIMUM  
SIDE GAP ALLOWABLE BETWEEN  
ROOF PANEL LEG AND CURB MUST  
BE 6" FOR PROPER CAULKING.

NOTE:  
THE VIEW SHOWN ABOVE IS  
AFTER INSTALLATION OF ROOF  
CURB IS COMPLETE.

KAGTAPE FOIL TAPE CAULK  
IS INSTALLED OVER TOP OF  
LAP BETWEEN ROOF PANEL  
AND ROOF CURB AFTER  
INSTALLATION OF ROOF  
CURB IS COMPLETE  
(FULL PERIMETER OF CURB)



**SECTION A**

**SECTION B**

NOTE: 640 CROSS PURLIN NOT SHOWN  
IN THIS SECTION FOR CLARITY.

NOTE: 632 SIDE PURLIN NOT SHOWN  
IN THIS SECTION FOR CLARITY.

NOTE: 2'-8" WIDE CURB SHOWN. DETAILS  
ARE THE SAME FOR OTHER SIZES.

REVISIONS	BY
7-30-96	KAG
4/30/97	CBP
11-10-99	DLR
07-31-01	DLR
06-03-03	RAP
01-06-05	WBD
03-02-05	RAP
12-13-05	CBP

**PARKLINE, INC.**  
P. O. Box 65 Winfield, WV 25213  
phone: (304) 586-2113

JOB DESCRIPTION  
**ROOF CURB DETAILS  
TYPE 'S' AND 'L' BUILDINGS**

SHEET TITLE

DATE 7-11-96  
DRAWN BY JEH  
SCALE NTS  
ORDER NO.  
REVISION **8**  
DWG. NO.  
**CURB-S**