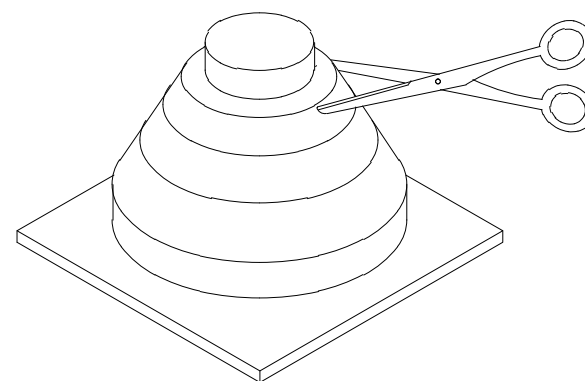
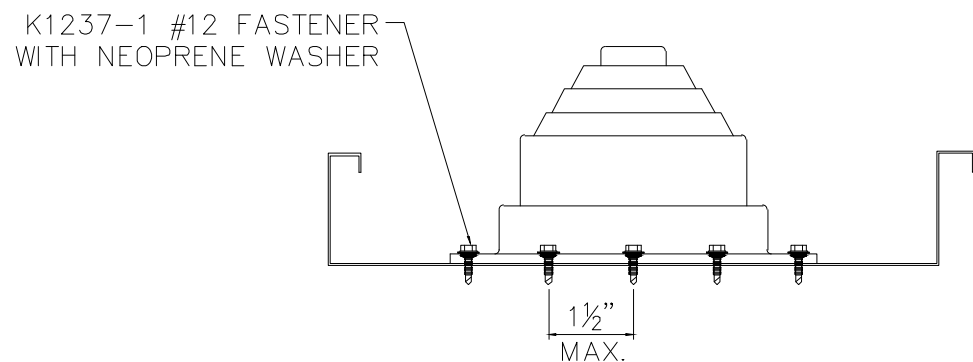
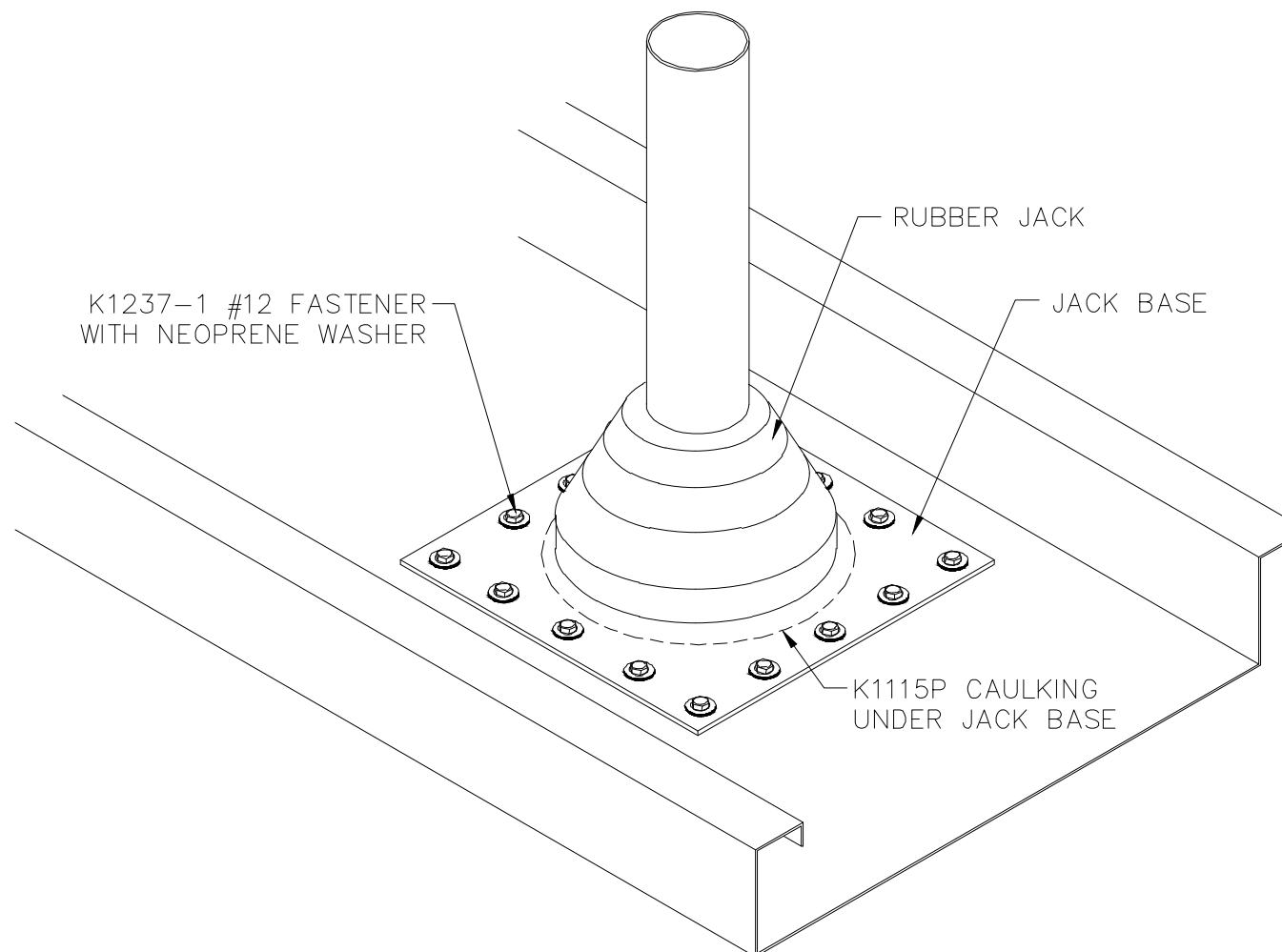


STANDARD JACK SIZES:

- SMALL JACK – KPF13 – FITS 1¼” TO 3” DIA. PIPE.
SQUARE BASE DIM. = 6”.
- MEDIUM JACK – KPF36 – FITS 3” TO 6” DIA. PIPE.
SQUARE BASE DIM. = 10”.
- LARGE JACK – KPF611 – FITS 6” TO 11” DIA. PIPE.
SQUARE BASE DIM. = 14”.

INSTALLATION:

1. CUT PIPE HOLE IN ROOF PANEL ALLOWING CLEARANCE AT RIB FOR JACK BASE.
2. CUT RUBBER JACK TO FIT PIPE SIZE. OPENING SHOULD BE AT LEAST 20% SMALLER THAN PIPE DIAMETER. USE SHARP KNIFE OR SCISSORS.
3. SLIDE FLASHING OVER PIPE AND DOWN AGAINST ROOF SHEET. IF REQUIRED, USE A NON-PETROLEUM BASED LUBRICANT TO EASE INSTALLATION.
4. APPLY BEAD OF SEALANT (K1115P) TO UNDERSIDE OF JACK BASE.
5. ATTACH BASE TO ROOF PANEL WITH K1237-1 #12 FASTENERS WITH NEOPRENE WASHER. FASTENER SPACING NOT TO EXCEED 1½”. FASTEN AROUND ENTIRE PERIMETER OF JACK BASE TO COMPLETELY SECURE AND ELIMINATE GAPS.



⚠ WARNING
Always use fall protection while working around roof openings.

REVISIONS	BY
01-06-05	WBD
03-18-09	CEM
03-23-10	CBP



PARKLINE, INC.
P. O. Box 65 Winfield, WV 25213
phone: (304) 586-2113

JOB DESCRIPTION: **ROOF JACK INSTALLATION**

SHEET TITLE: **DETAILS**

DATE	05-30-00
DRAWN BY	DLR
SCALE	N.T.S.
ORDER NO.	
REVISION	3
DWG. NO.	PIPE-ROF