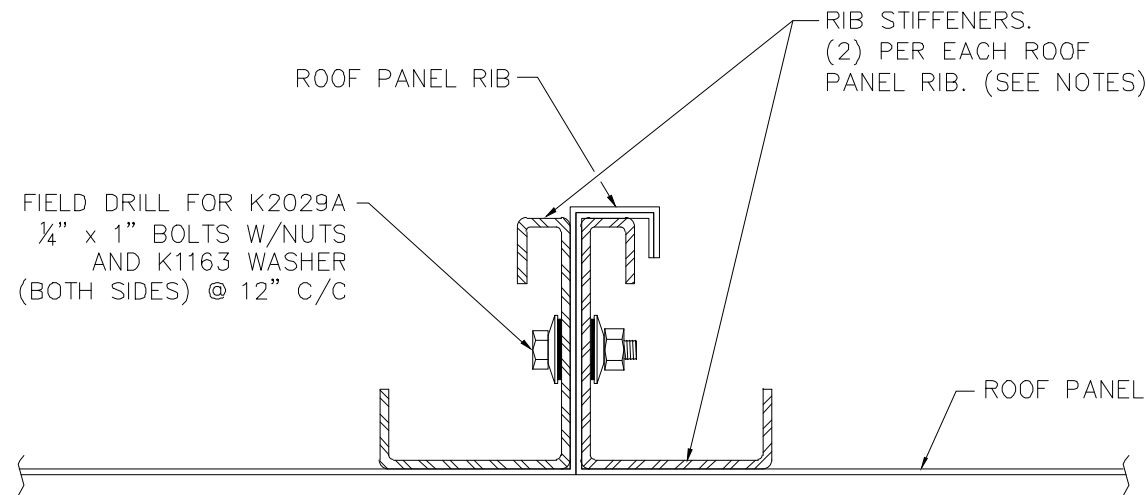
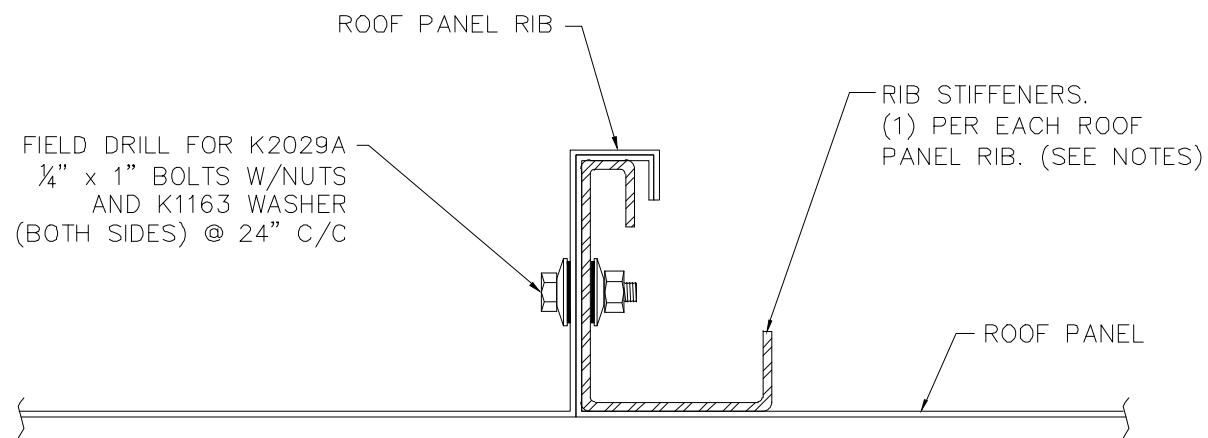


DOUBLE STIFFENERS NOTES:

1. CLAMP RIB STIFFENERS INTO PLACE.
2. FIELD DRILL FOR K2029A BOLTS @ SPACING SHOWN
3. REMOVE THE OUTBOARD RIB STIFFENER AND CLEAN METAL SHAVINGS.
4. SEAL AROUND PREVIOUSLY DRILLED HOLES USING K1115C TUBE CAULKING FOR PROPER WEATHER SEAL.
5. REPLACE RIB STIFFENER AND BOLT SECURELY.



DOUBLE RIB STIFFENER
(SEE NOTES ABOVE)



SINGLE RIB STIFFENER


RIB STIFFENER PART NUMBERS ARE:

- 903A FOR 3" RIB ROOF PANEL
- 904A FOR 4" RIB ROOF PANEL
- 906A FOR 6" RIB ROOF PANEL

NOTES:

1. THIS BUILDING REQUIRES THE INSTALLATION OF ADDITIONAL RIB STIFFENERS TO MEET EITHER OF THE FOLLOWING SITUATIONS:
 - A. DUE TO THE COMBINATION OF SIZE AND DESIGN LOAD REQUIREMENTS, ALL ROOF PANEL RIBS MUST BE REINFORCED.
 - OR**
 - B. EQUIPMENT LOADS BEING APPLIED TO THE ROOF PANELS REQUIRE THAT SOME OF THE ROOF PANEL RIBS BE REINFORCED.
- IN EITHER CASE, REFER TO THE ROOF PLAN DRAWING FOR REQUIRED RIB STIFFENER LOCATIONS AND USAGE OF SINGLE OR DOUBLE STIFFENERS.
2. RIB STIFFENERS ARE PROVIDED IN A GALVANIZED G90 FINISH. EVEN THOUGH G90 HOLDS UP WELL TO THE ELEMENTS, RIB STIFFENERS CAN BE PRIMED AND FINISH PAINTED IN THE FIELD IF REQUIRED.
 3. STANDARD LENGTH RIB STIFFENERS ARE SUPPLIED. FIELD CUT STIFFENERS TO AVOID INTERFERENCE WITH EAVE (AND RIDGE) CONNECTIONS. FIELD DRILL FOR ALL 1/4" BOLTS.

| REVISIONS | BY |
|-----------|-----|
| 06-19-00 | DLR |
| 01-25-05 | DLR |
| 02-09-09 | CEM |
| 03-11-09 | CBP |
| 06-15-09 | CS |
| | |
| | |
| | |



PARKLINE, INC.
P. O. Box 65 Winfield, WV 25213
phone: (304) 586-2113

JOB DESCRIPTION
SINGLE AND DOUBLE RIB STIFFENER INSTALLATION DETAILS FOR REINFORCING ROOF PANEL RIBS

SHEET TITLE
INSTALLATION DETAILS

DATE **11-29-99**

DRAWN BY **TWH**

SCALE N.T.S.

ORDER NO.

REVISION **5**

DWG. NO.
STIF-ROF