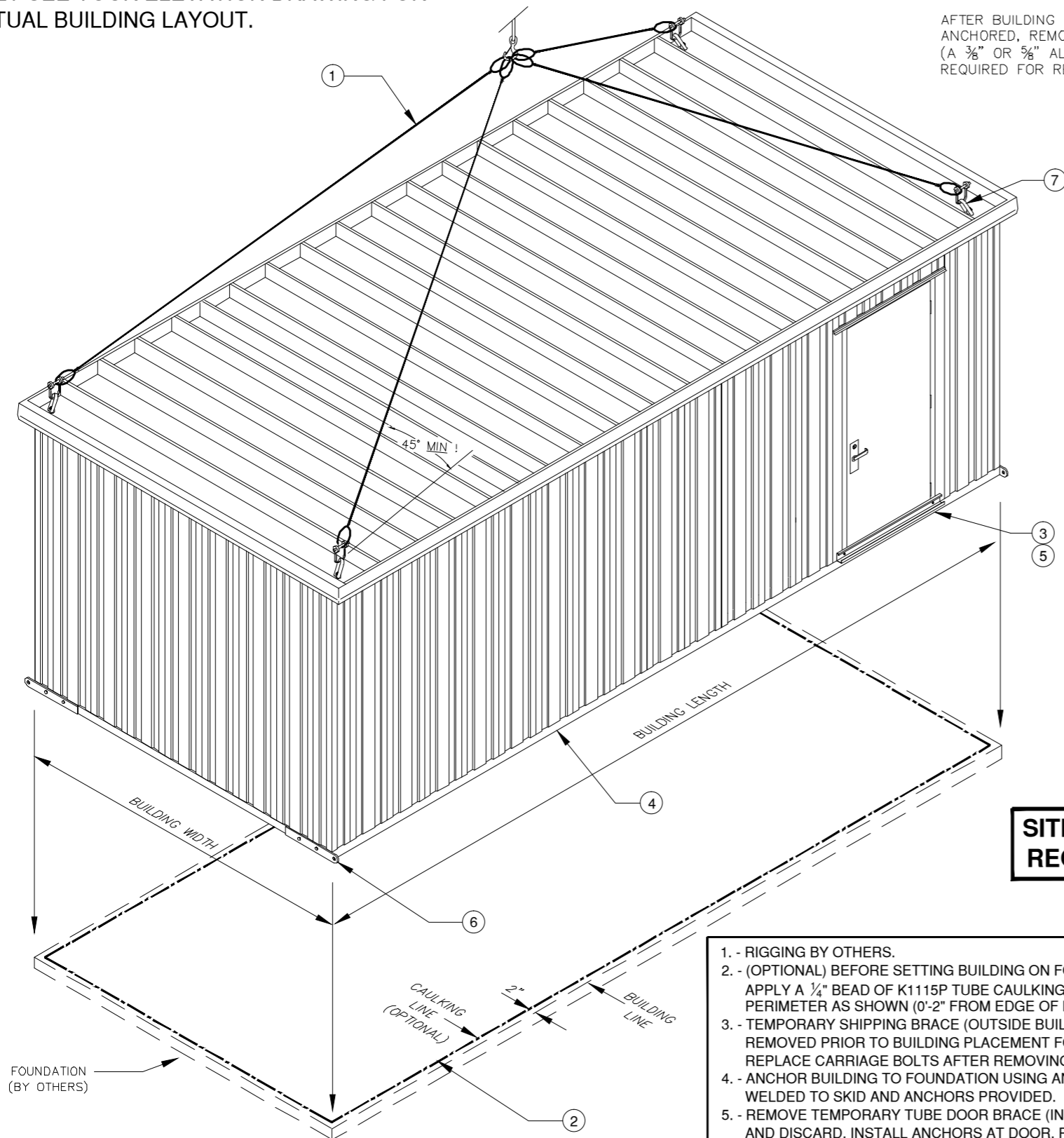


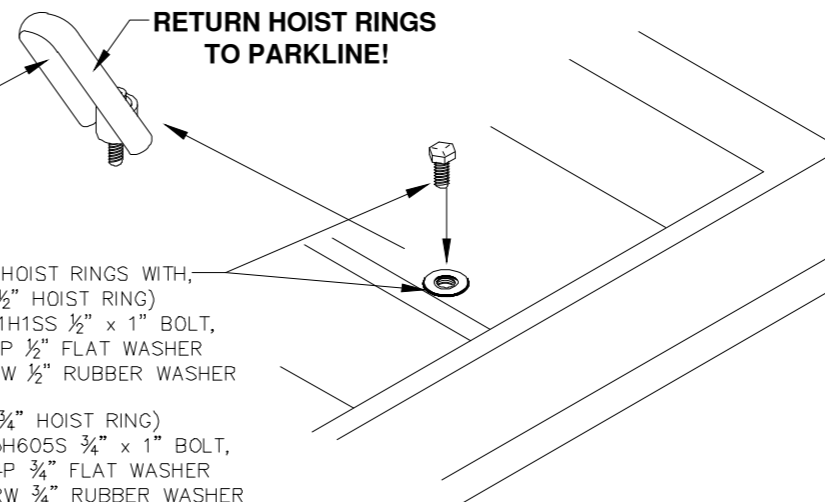
NOTE:
BUILDING SHOWN IS FOR REPRESENTATION
ONLY SEE YOUR ELEVATION DRAWING FOR
ACTUAL BUILDING LAYOUT.



PRE-ERECTED BUILDING OFFLOADING

BUILDING WT. 0000 #

AFTER BUILDING IS SET AND ANCHORED, REMOVE HOIST RINGS (A 3/8" OR 5/8" ALLEN WRENCH IS REQUIRED FOR REMOVAL)

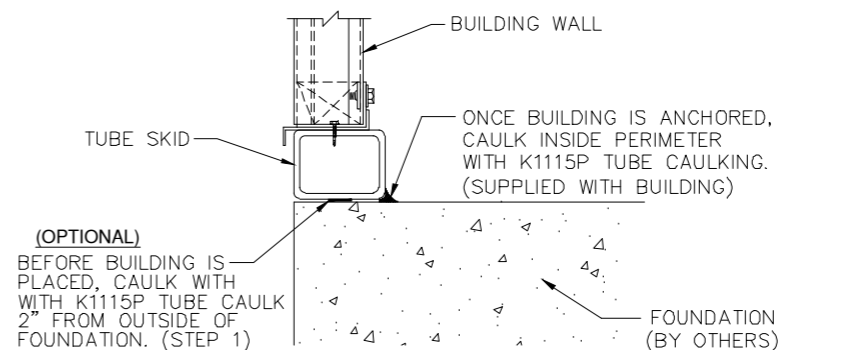


REPLACE HOIST RINGS WITH,
(FOR 1/2" HOIST RING)
1 - K1161H1SS 1/2" x 1" BOLT,
1 - FW12P 1/2" FLAT WASHER
1 - K12RW 1/2" RUBBER WASHER

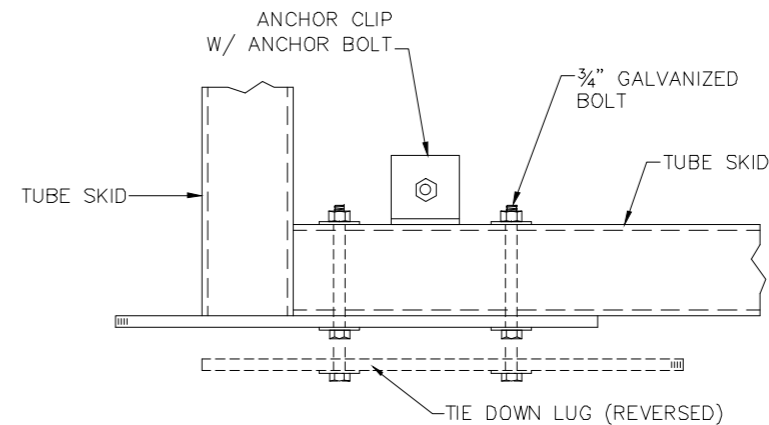
(FOR 3/4" HOIST RING)
1 - K895H605S 3/4" x 1" BOLT,
1 - FW34P 3/4" FLAT WASHER
1 - K34RW 3/4" RUBBER WASHER

(SUPPLIED WITH BUILDING)

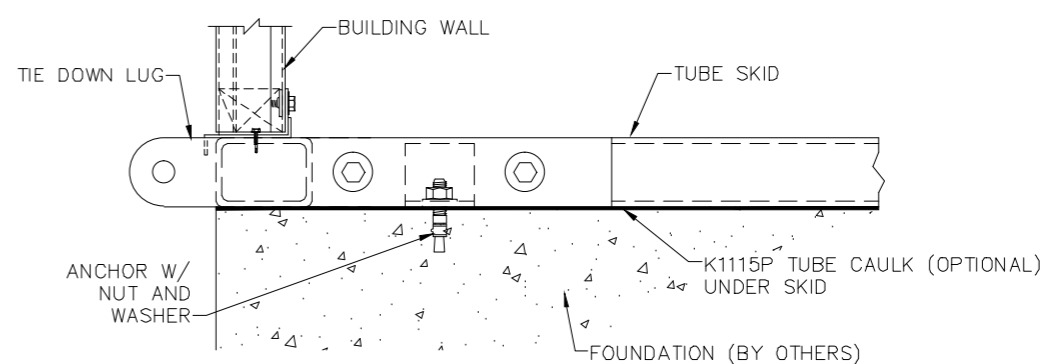
HOIST RING DETAIL (STEP 7.)



CAULKING DETAIL (STEP 2.)



CAULKING DETAIL (STEP 6.)



ANCHORING DETAIL (STEP 4.)

SITE WORK REQUIRED

1. - RIGGING BY OTHERS.
2. - (OPTIONAL) BEFORE SETTING BUILDING ON FOUNDATION, APPLY A 1/4" BEAD OF K1115P TUBE CAULKING AROUND PERIMETER AS SHOWN (0'-2" FROM EDGE OF FOUNDATION)
3. - TEMPORARY SHIPPING BRACE (OUTSIDE BUILDING) MAY BE REMOVED PRIOR TO BUILDING PLACEMENT FOR ACCESS. REPLACE CARRIAGE BOLTS AFTER REMOVING.
4. - ANCHOR BUILDING TO FOUNDATION USING ANCHOR CLIPS WELDED TO SKID AND ANCHORS PROVIDED.
5. - REMOVE TEMPORARY TUBE DOOR BRACE (INSIDE BUILDING) AND DISCARD. INSTALL ANCHORS AT DOOR. PLUG HOLES W/ PLASTIC CAPS PROVIDED.
6. - REMOVE CORNER LUGS AND REATTACH SO OPPOSITE END IS FLUSH W/ SKID.
7. - REMOVE HOIST RINGS FROM ROOF AND REPLACE W/ BOLT, FLAT WASHER AND RUBBER WASHER.
8. - APPLY A BEAD OF K1115P CAULK AROUND PERIMETER OF BUILDING WHERE TUBE SKID MEETS FOUNDATION AT INTERIOR OF BUILDING.

REVISIONS	BY
01-13-04	RAP
01-13-04	RAP
03-21-05	RAP
03-30-05	RAP
09-10-07	CEM
12-06-07	RAP
03-05-10	CBP

PARKLINE, INC.
P O Box 65 Winfield, WV 25213
phone: (304) 586-2113

PRE-ERECTED BUILDING OFFLOADING AND INSTALLATION LIFTED FROM ROOF

TYPICAL DETAILS

DATE	11-03-03
DRAWN BY	RAP
SCALE	NTS
ORDER NO.	
REVISION	7
DWG. NO.	TUBEROOFLIFT