

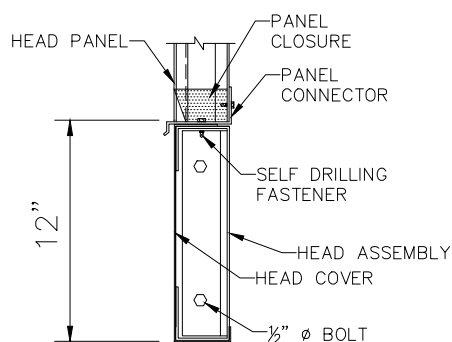
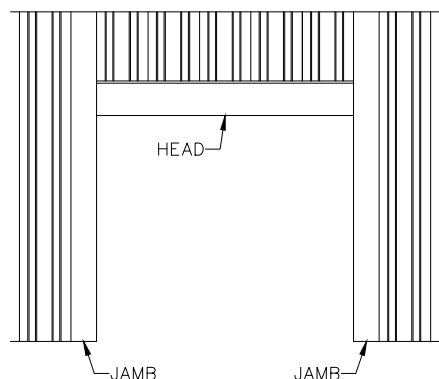
FRAMED OPENINGS

PRODUCT DESCRIPTION

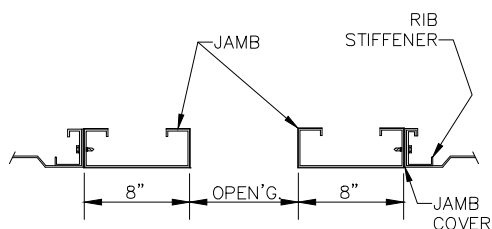
FRAMED OPENINGS

Framed openings for overhead doors shall be constructed from nominal 12 gauge galvanized steel. The 8" wide jambs shall be provided with a minimum 2½" wide inside surface for field mounting of overhead door track and hardware. Jambs and 12" tall head shall be provided with nominal 24 gauge covers, embossed, painted wall color.

NOTE: Allow a minimum of 1'-0" head room below ceiling for overhead type doors and 2'-0" minimum head room for roll up type doors.



SECTION THRU HEAD



SECTION THRU JAMBS

Standard Opening Sizes Available

Widths	Heights
4'-0" wide	7'-0" high
6'-8" wide	8'-0" high
8'-0" wide	9'-0" high
10'-8" wide	10'-0" high
12'-0" wide	11'-0" high
14'-8" wide	12'-0" high
16'-0" wide	13'-0" high

PRODUCT NAME

Framed Openings

MANUFACTURER

Parkline, Inc.
 P.O. Box 65
 Winfield, West Virginia 25213
 Phone: (304) 586-2113 in WV
 (800) 786-4855 outside WV
 (304) 586-3842 FAX

web: <http://www.parkline.com>
 E-mail: parkline@parkline.com

 **PARKLINE, INC.**
13122 FO