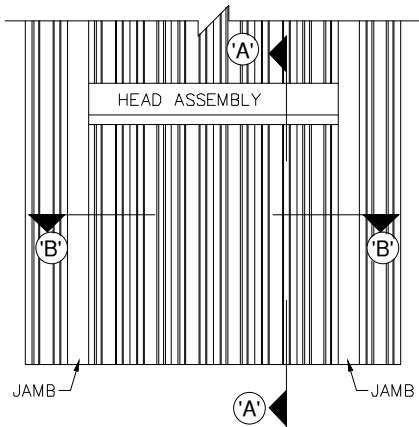


REMOVABLE WALL SECTION

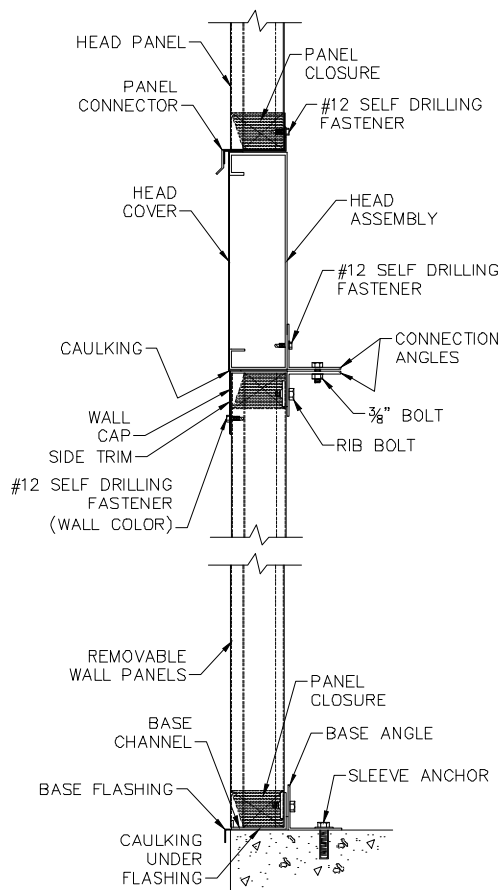
PRODUCT DESCRIPTION

REMOVABLE WALL SECTION

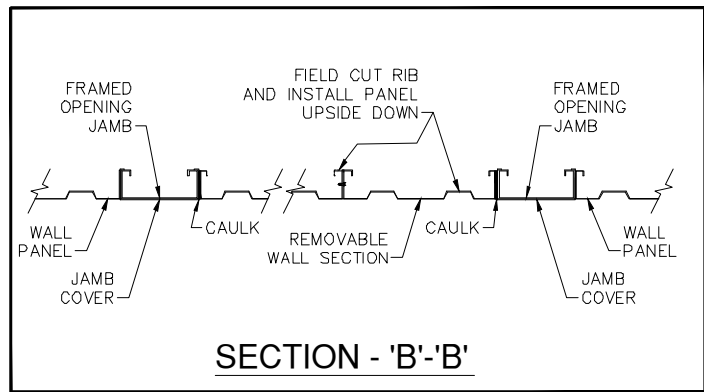
A removable wall section shall consist of a framed opening capable of supporting roof and wall loads when the wall section is removed. The removable section shall consist of the same materials as the permanent wall. Section shall be removable by unbolting from inside the building.



EXTERIOR ELEVATION



SECTION - 'A'-'A'



SECTION - 'B'-'B'

NOTE :

Refer to Floor Plan and Elevation Drawing for exact size and location of accessories.