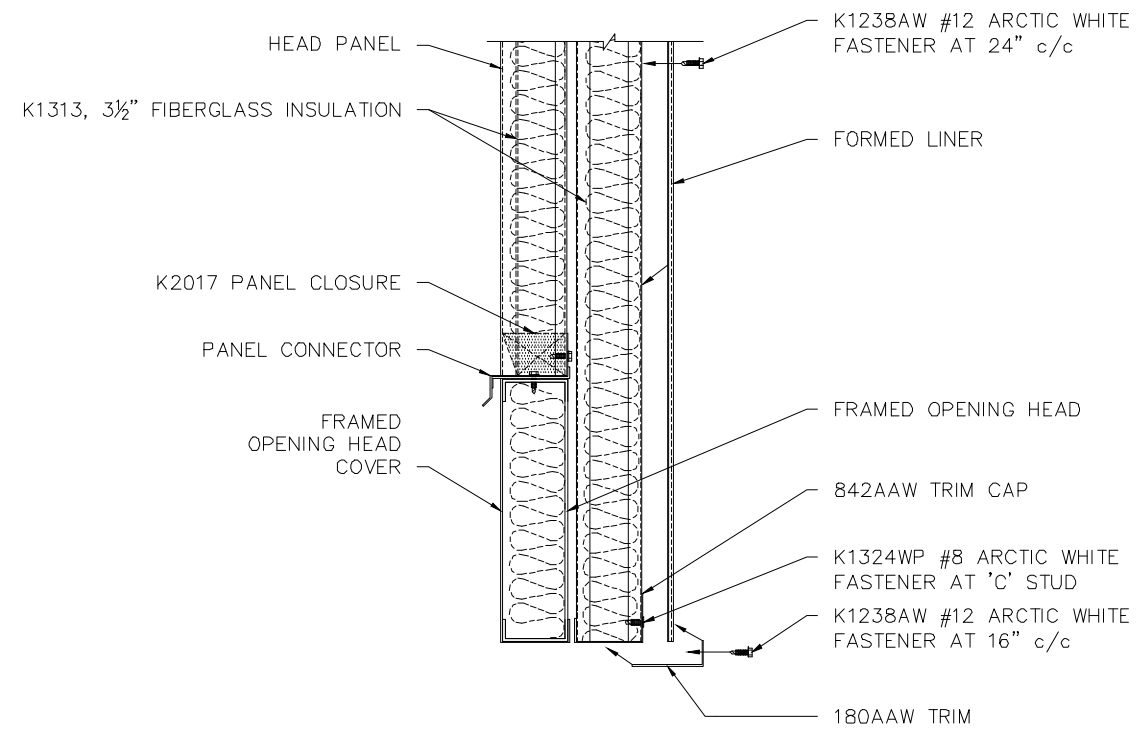
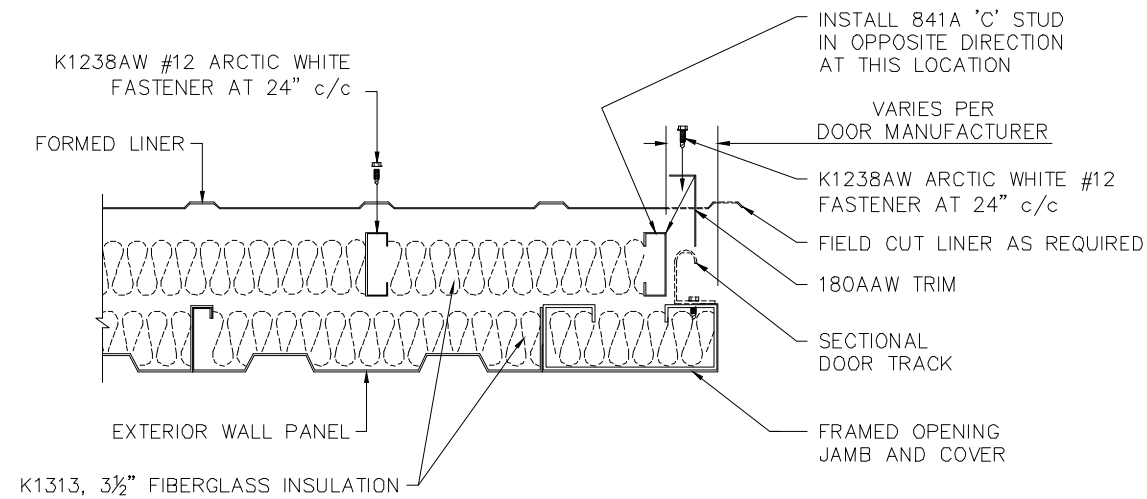


**TRIM DETAIL
AT FRAMED OPENING
HEAD w/ DOOR**

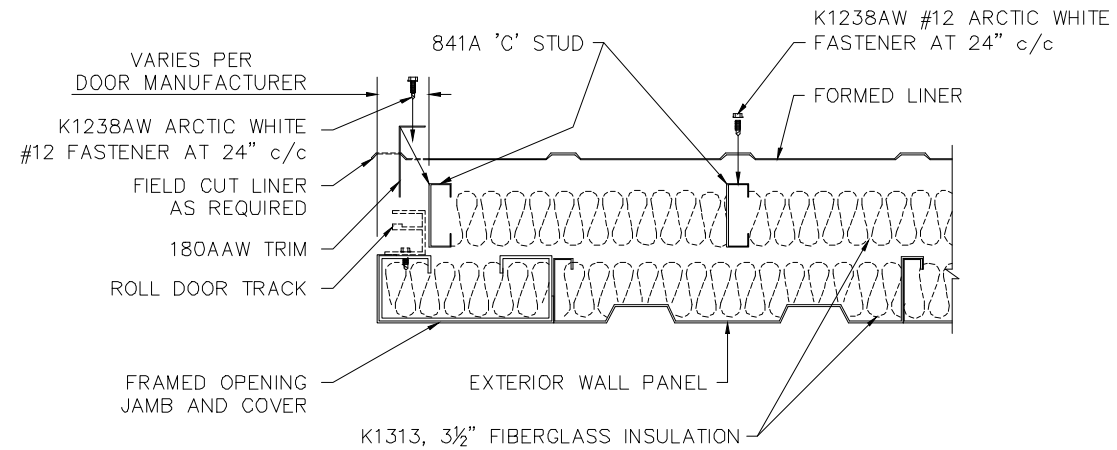


**TRIM DETAIL
AT FRAMED OPENING
HEAD w/o DOOR**



**TRIM DETAIL AT FRAMED
OPENING JAMBS**

IF NO DOOR USED
INSTALL 'C' STUD FLUSH
WITH FRAMED OPENING JAMB



**NOTE: REFER TO DOOR
MANUFACTURERS
INSTALLATION
INSTRUCTIONS AND
REQUIREMENTS.**

NOTE:
USE STANDARD FORMED LINER DRAWINGS:
#FORMED-1
#FORMED-2
FOR REFERENCE. WHERE THESE TWO
DRAWINGS DIFFER WITH THIS DRAWING,
THIS DRAWING WILL APPLY.

REVISIONS	BY
06-01-09	CS



PARKLINE, INC.
P O Box 65 Winfield, WV 25213
phone: (304) 586-2113

JOB DESCRIPTION
**STANDARD INSTALLATION DETAILS FOR
'C' STUD WALL SYSTEM**

SHEET TITLE
SECTIONS AT FRAMED OPENINGS

DATE	07-21-05
DRAWN BY	RAP
SCALE	N.T.S
ORDER NO.	
REVISION	1
DWG. NO.	C-STUDWALL-4