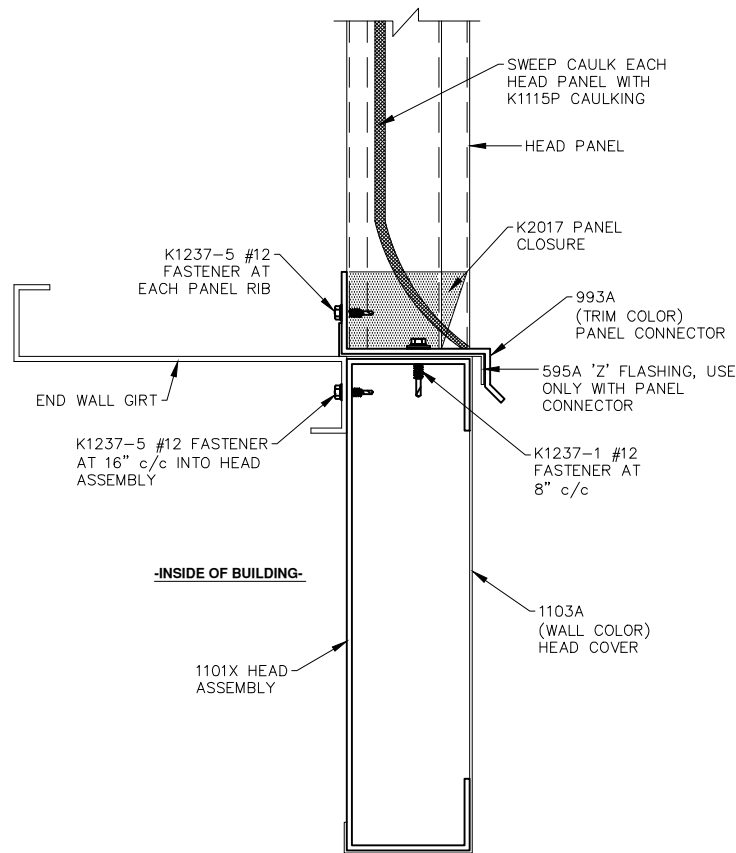
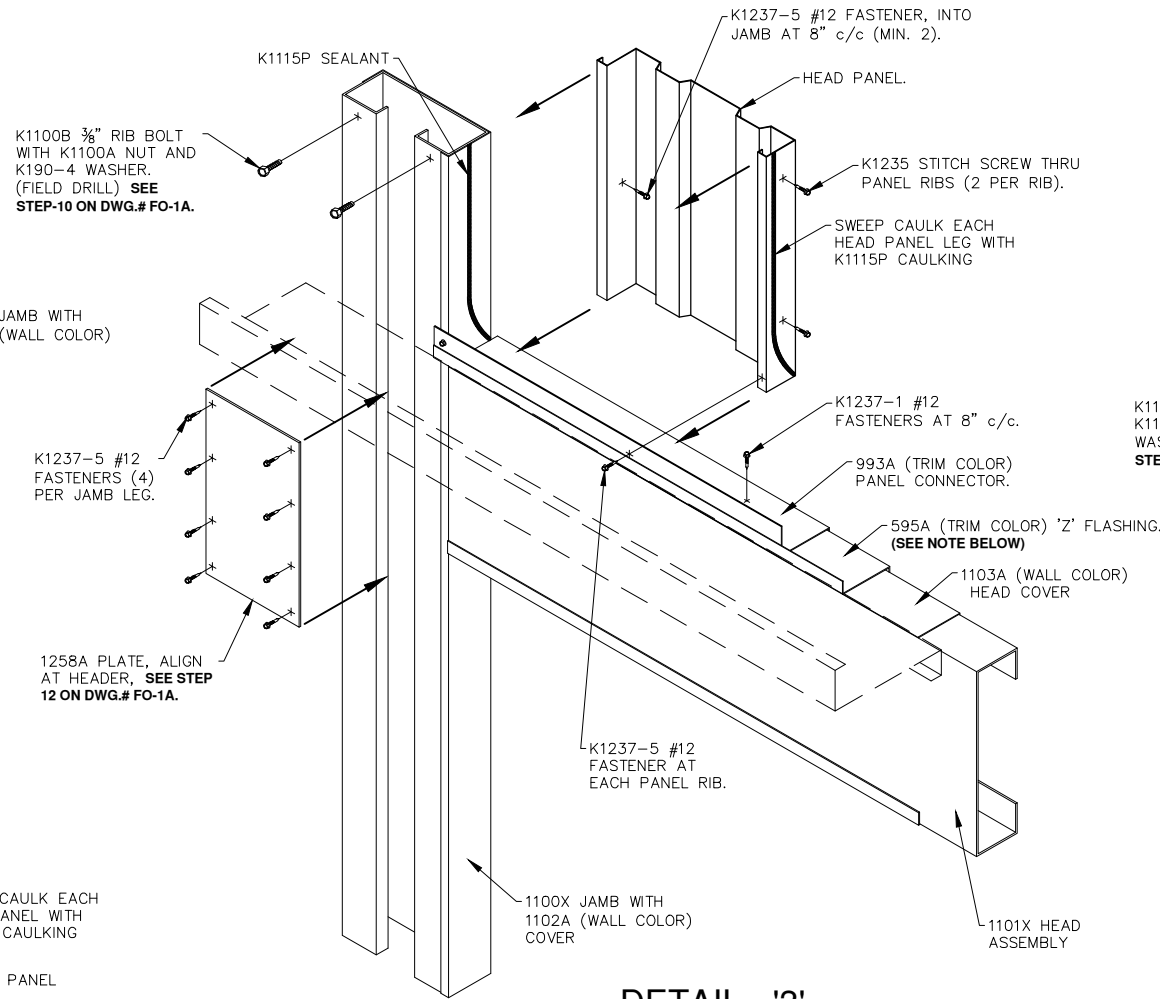


**PANEL CONNECTOR
CAULKING DETAIL**
VIEWED FROM EXTERIOR

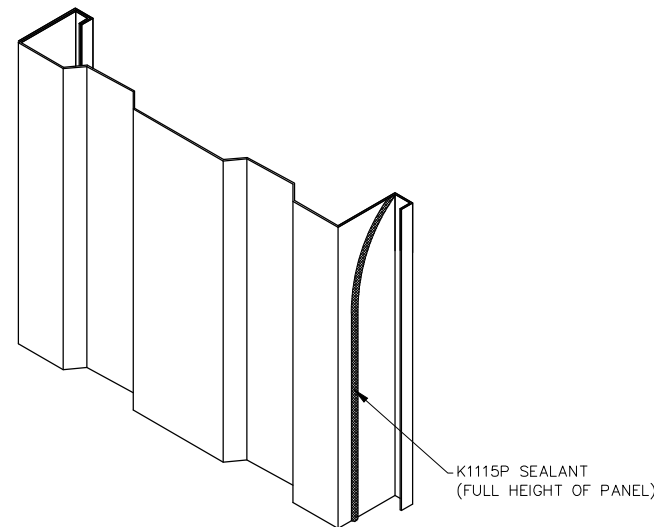


**CROSS SECTION THRU
HEAD ASSEMBLY**



DETAIL - '3'

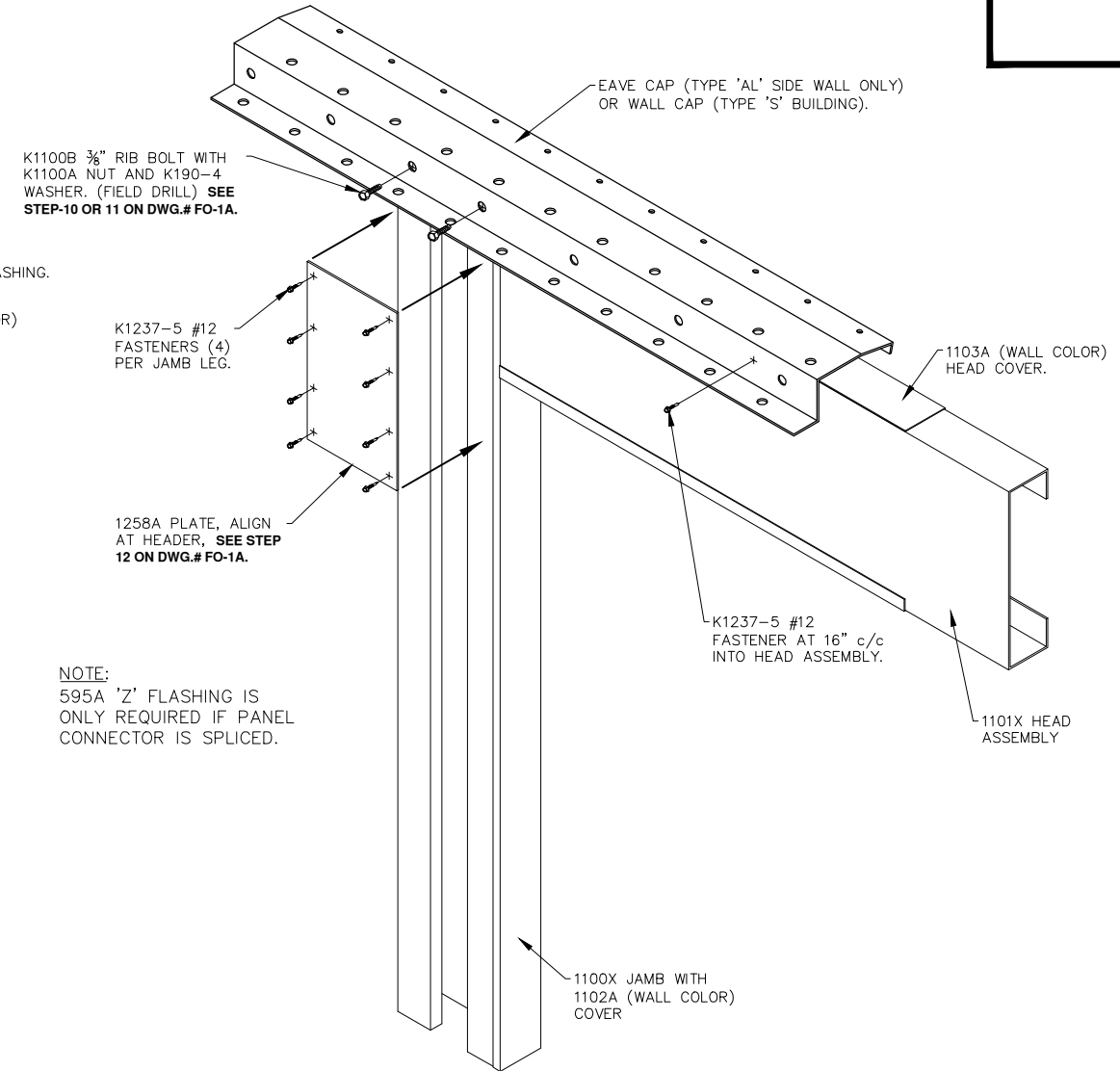
TYPE 'AL' BUILDING AT END WALL ONLY
VIEWED FROM INTERIOR, SEE CROSS SECTION
THRU HEAD ASSEMBLY



CAULKING DETAIL
FOR WALL PANELS NEXT TO JAMBS.
SEE STEP-5 ON DWG.# FO-1A.

NOTE:

FIELD DRILL HOLES IN 1101X HEAD ASSEMBLY FOR EAVE SPLICE PLATES AT EAVE CAP AS REQUIRED.



DETAIL - '4'

AT SIDE WALL ONLY
TYPE 'S' AND 'AL' BUILDING
VIEWED FROM INTERIOR

NOTE:

PARKLINE RECOMMENDS THAT THE 1101X HEAD ASSEMBLY BE INSTALLED WITH THE FACE TOWARD THE INSIDE OF THE BUILDING. MANY TIMES THIS IS NECESSARY FOR MOUNTING OF DOOR HARDWARE, HOWEVER THE HEAD ASSEMBLY CAN BE INSTALLED IN EITHER DIRECTION AT BUILDER'S DISCRETION.

REVISIONS	BY
03-07-94	WS
04-05-94	DB
01-16-95	JEH
06-05-95	JEH
01-15-96	CM
04-29-99	DLR
01-16-03	CBP
01-30-03	DLR
08-05-10	RAP
01-18-11	TLC

PARKLINE, INC
P O Box 65 Winfield, WV 25213
phone: (304) 586-2113

JOB DESCRIPTION
**INSTALLATION OF FRAMED OPENING
WITHOUT HEAD PANELS**

SHEET TITLE
SECTION AND DETAILS

DATE	03-18-99
DRAWN BY	DLR
SCALE	NTS
ORDER NO.	
REVISION	10

FO-1B