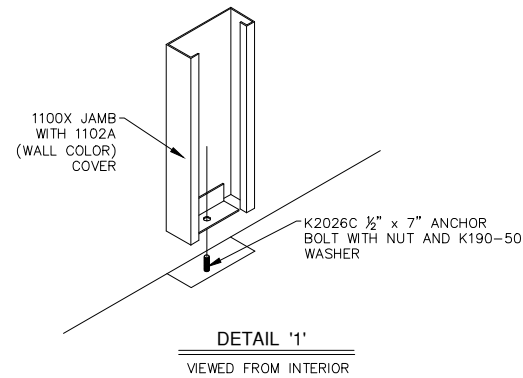
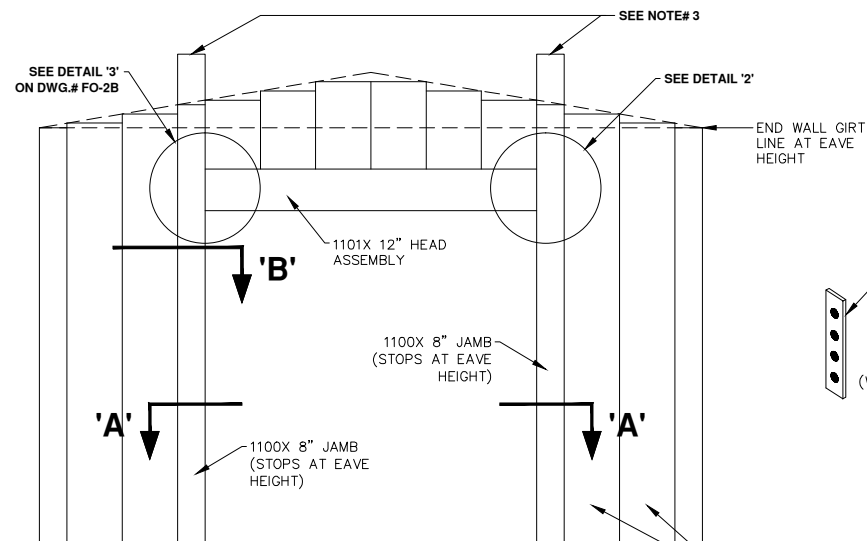


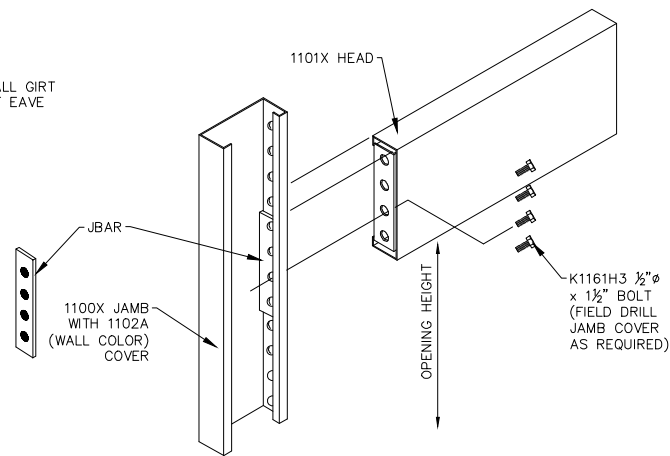
FRAMED OPENING WITH HEAD PANELS  
TYPE 'S' BUILDING AND SIDE WALL OF TYPE 'AL' BUILDING



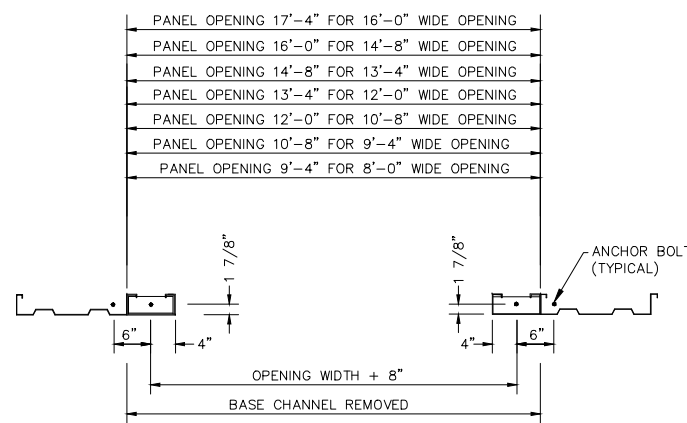
DETAIL '1'  
VIEWED FROM INTERIOR



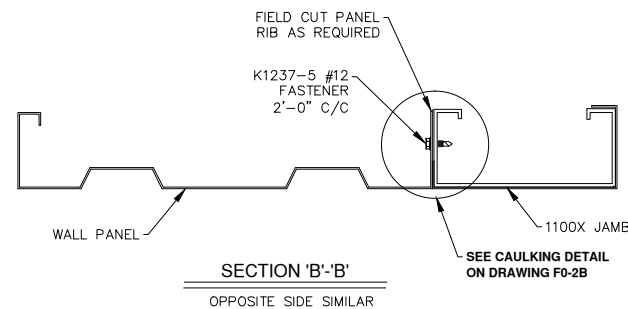
FRAMED OPENING IN END WALL OF TYPE 'AL' BUILDING



DETAIL '2'  
VIEWED FROM INTERIOR



SECTION 'A'-A'



SECTION 'B'-B'  
OPPOSITE SIDE SIMILAR

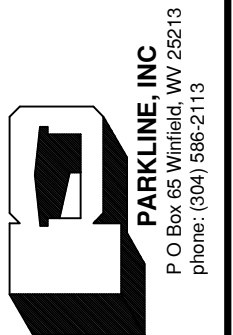
**ERECTION PROCEDURE** (INSTALL FRAME IN CONJUNCTION WITH WALL ERECTION)

**NOTES:**

- INSTALL 1102A JAMB COVERS ON JAMBS PRIOR TO ASSEMBLY. ERECTOR MAY WISH TO TEMPORARILY ATTACH JAMB COVER TO JAMB WITH 1 OR 2 FASTENERS. THESE MUST BE REMOVED PRIOR TO INSTALLING IN WALL.
- 1102A JAMB COVERS ARE TO BE FIELD DRILLED FOR 1/2" BOLTS AT HEAD.
- JAMB COVERS ARE PROVIDED IN STANDARD LENGTHS ONLY. COVERS MAY REQUIRE SPLICING. IF SPLICES ARE REQUIRED, COVERS WILL BE PACKED WITH ONE INSIDE THE OTHER. TEST FIT COVERS FOR PROPER SPLICE FIT. CARE MUST BE TAKEN WHEN FIELD CUTTING COVERS TO ASSURE A CLEAN SPLICE.
- PARKLINE RECOMMENDS THAT THE 1101X HEAD ASSEMBLY BE INSTALLED WITH FACE TOWARD INSIDE OF BUILDING. MANY TIMES THIS IS NECESSARY FOR MOUNTING OF DOOR HARDWARE HOWEVER THE HEAD ASSEMBLY CAN BE INSTALLED EITHER DIRECTION AT BUILDERS DISCRETION.
- 1103 HEAD COVERS ARE PROVIDED 12'-0" LONG. IF OPENING WIDTH IS GREATER THAN 12'-0", THE COVERS MUST BE SPLICED. IF THE OPENING IS LESS THAN 12'-0" WIDE, FIELD CUTTING WILL BE REQUIRED. IF SPLICES ARE REQUIRED, COVERS WILL BE PACKED WITH ONE INSIDE THE OTHER. CARE MUST BE TAKEN WHEN FIELD CUTTING COVERS TO ASSURE A CLEAN SPLICE.

- STEP 1** INSTALL K2026C 1/2" BOLTS PER SECTION 'A'-A'.
- STEP 2** DETERMINE THE HEIGHT OF THE OPENING AND DRILL JAMB COVERS FOR 1/2" BOLTS USING HOLES IN JAMB FOR LOCATIONS.
- STEP 3** INSERT JBAR PLATE IN JAMB AT HEAD LOCATION. (SEE DETAIL '2') ATTACH HEAD TO JAMB WITH (4) K1161H3 1/2" BOLTS. TYPICAL BOTH SIDES. FLAT SIDE (WEB) OF HEAD SHOULD FACE THE INTERIOR OF THE BUILDING. (SEE NOTE #4 ABOVE)
- STEP 4** INSTALL 1103A HEAD COVER(S) ON HEAD. (HEAD COVERS MAY BE INSTALLED AFTER FRAME IS IN PLACE).
- STEP 5** CAULK WALL PANELS PER CAULKING DETAIL ON DRAWING FO-2B.
- STEP 6** TILT ASSEMBLED FRAME INTO PLACE. INSTALL WASHERS AND NUTS ON ANCHOR BOLTS. BE SURE FRAME IS SQUARE AND PLUMB AND FASTEN THRU WALL PANEL RIBS INTO JAMB w/K1237-5 #12 FASTENERS AT 24" c/c (SEE SECTION 'B'). (NOTE: MAKE SURE JAMB COVER IS IN TIGHT AGAINST JAMB PRIOR TO INSTALLING FASTENERS).
- STEP 7** PLACE 993A PANEL CONNECTOR AND 'Z' FLASHING ON TOP OF HEAD ASSEMBLY AND FASTEN WITH K1237-1 #12 FASTENERS W/ WASHER AT 8" C/C. SEAL ALL JOINTS WITH K1115P SEALANT. (SEE DETAIL '3' AND NOTE ON DRAWING FO-2B).
- STEP 8** CAULK TOP OF PANEL CONNECTOR WITH K1115P. (SEE PANEL CONNECTOR CAULKING DETAIL ON DWG.# FO-2B).
- STEP 9** APPLY SEALANT TO JAMBS AT HEAD PANEL RIBS AS SHOWN (SEE DETAIL '3' ON DRAWING FO-2B) AND INSTALL HEAD PANELS INTO PANEL CONNECTOR. SWEEP CAULK EACH HEAD PANEL RIB.
- STEP 10** TYPE S BUILDING: INSTALL WALL CAP. FASTEN TO TOP OF HEAD PANELS PER STANDARD DETAILS. FIELD DRILL RIBS OF JAMBS TO ATTACH WALL CAP WITH K1100 3/8" BOLTS.  
TYPE AL BUILDING: AT EAVE CAP (SIDE WALL) OR END WALL GIRT (END WALL), FASTEN TO TOP OF HEAD PANELS PER STANDARD DETAILS. FIELD DRILL RIBS OF JAMBS TO ATTACH EAVE CAP/END WALL GIRT WITH K1100 3/8" BOLTS.
- STEP 11** FASTEN HEAD PANEL RIB TO JAMB WITH K1237-5 #12 FASTENERS @ 8" C/C (MIN. 2) AND STITCH ALL HEAD PANEL RIBS WITH 2 K1235 SCREWS. (SEE DETAIL '3' ON DRAWING FO-2B). INSTALL K2017 PANEL CLOSURES IN HEAD PANELS.
- STEP 12** ATTACH 1258A PLATE TO INSIDE FACE OF JAMBS AT HEAD HEIGHT. FASTEN WITH (4) K1237-5 #12 FASTENERS PER SIDE. TYPICAL BOTH JAMBS. (SEE DETAIL '3' ON DRAWING FO-2B).
- STEP 13** END WALL OF TYPE 'AL' BUILDING ONLY. FIELD CUT JAMB COVERS TO MATCH SLOPE OF END WALLS.
- STEP 14** CONTINUE BUILDING ERECTION PER STANDARD DETAILS.

REVISIONS	BY
03-08-94	WS
04-04-94	DB
01-16-95	JEH
06-05-95	JEH
01-15-96	CEM
04-29-99	DLR
01-07-03	DLR
01-11-05	WBD
08-04-10	RAP
01-19-11	TLC



JOB DESCRIPTION: DETAILS FOR FRAMED OPENING WITH HEAD PANELS  
SHEET TITLE: DETAILS

DATE	10-05-93
DRAWN BY	WS
SCALE	NTS
ORDER NO.	
REVISION	10