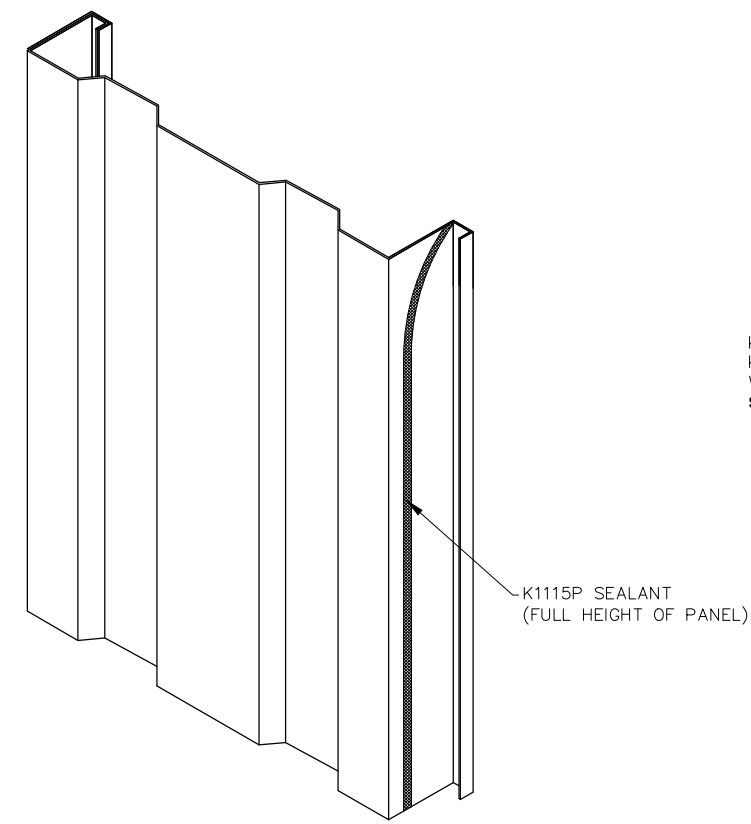
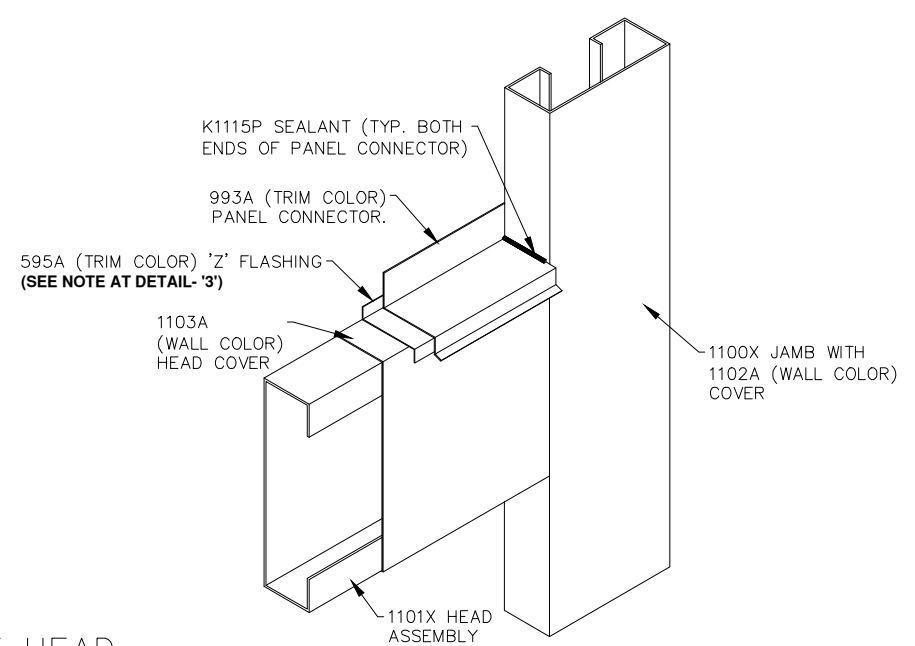


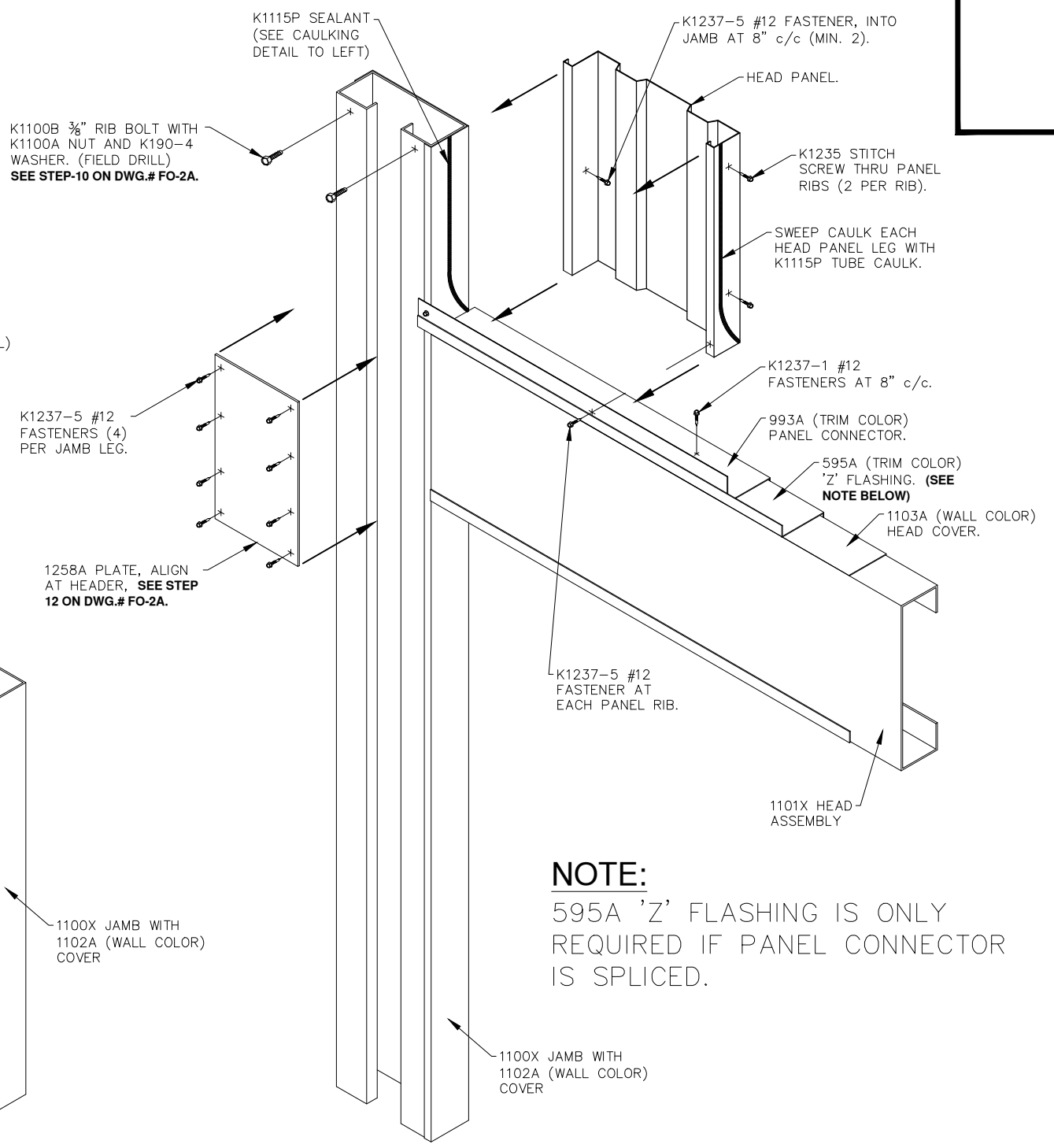
CROSS SECTION THRU HEAD ASSEMBLY



CAULKING DETAIL
FOR WALL PANELS NEXT TO JAMBS.
SEE STEP-5 ON DWG.# FO-2A.



PANEL CONNECTOR CAULKING DETAIL
VIEWED FROM EXTERIOR



NOTE:
595A 'Z' FLASHING IS ONLY REQUIRED IF PANEL CONNECTOR IS SPLICED.

DETAIL - '3'
VIEWED FROM INTERIOR

NOTE:
PARKLINE RECOMMENDS THAT THE 1101X HEAD ASSEMBLY BE INSTALLED WITH THE FACE TOWARD THE INSIDE OF THE BUILDING. MANY TIMES THIS IS NECESSARY FOR MOUNTING OF DOOR HARDWARE, HOWEVER THE HEAD ASSEMBLY CAN BE INSTALLED IN EITHER DIRECTION AT BUILDER'S DISCRETION.

| REVISIONS | BY |
|-----------|-----|
| 03-08-94 | WS |
| 04-05-94 | DB |
| 01-16-95 | JEH |
| 06-05-95 | JEH |
| 01-15-96 | CM |
| 04-29-99 | DLR |
| 01-23-03 | CBP |
| 1-11-05 | WBD |
| 07-28-10 | RAP |
| 01-19-11 | TLC |

PARKLINE, INC
P O Box 65 Winfield, WV 25213
phone: (304) 586-2113

DETAILS FOR FRAMED OPENING WITH HEAD PANELS

JOB DESCRIPTION

DETAILS

SHEET TITLE

| | |
|-----------|----------|
| DATE | 10-05-93 |
| DRAWN BY | WS |
| SCALE | NTS |
| ORDER NO. | |
| REVISION | 10 |