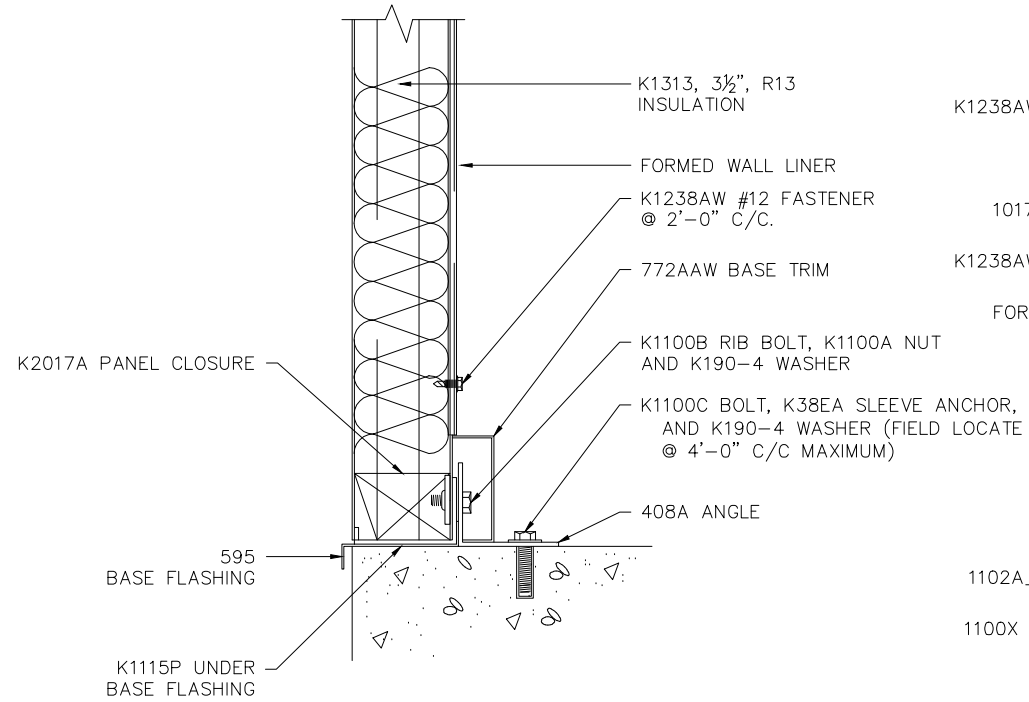


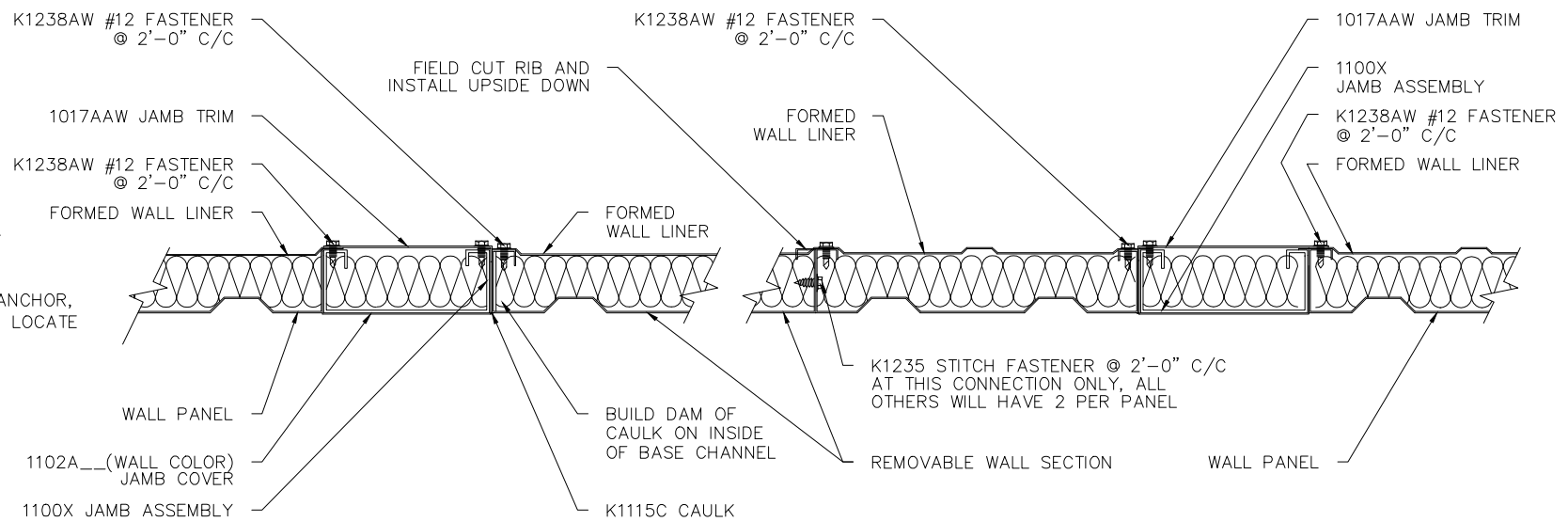
REMOVABLE WALL ELEVATION
(AS VIEWED FROM EXTERIOR)

NOTES

1. INSTALL FRAMED OPENING PER DRAWING FO-1A/1B OR FO-2A/2B , WHICHEVER MAY APPLY.
2. REMOVABLE WALL SECTION MUST BE ASSEMBLED ON GROUND AND LIFTED INTO PLACE. CHECK OVERALL DIMMENSIONS AS YOU PROCEED TO ASSURE PROPER FIT.
3. NOTICE THAT THE LAST PANEL TO THE RIGHT MUST BE INSTALLED UPSIDE DOWN AS SHOWN IN SECTION 'B'-B'
4. REFER TO DRAWING FORMED-1 AND FORMED-2 FOR ADDITIONAL FORMED WALL LINER DETAILS.
NOTE: FORMED WALL LINER MAY BE INSTALLED AFTER REMOVABLE SECTION IS IN PLACE IF PREFERRED.)
5. ENDS OF BASE CHANNEL IN REMOVABLE SECTION MUST BE PROPERLY CAULKED AS SHOWN IN SECTION 'B'-B' TO PREVENT WATER LEAKAGE.
6. CARE MUST BE TAKEN WHEN REMOVING WALL SECTION AS BASE FLASHING IS EASILY DAMAGED.



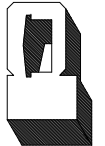
SECTION 'A'-'A'



SECTION 'B'-'B'

REVISIONS	BY
11-15-94	JEH
11-28-96	KAG
08-28-98	DLR
01-06-05	WBD
07-12-05	DLR
10-23-09	CS
07-26-11	KRK

PARKLINE, INC.
RT. 62, ELEANOR INDUSTRIAL PARK
ELEANOR, WV 25070
EMAIL: PARKLINE@PARKLINE.COM
PHONE: 800-786-4855
FAX: 304-586-3842
ENGINEER: TOM HARDING
THARDING@PARKLINE.COM



JOB DESCRIPTION
REMOVABLE WALL SECTION W/ FORMED WALL LINER SYSTEM

SHEET TITLE
DETAILS

DATE 01-25-91

DRAWN BY RAM

SCALE NTS

ORDER NO.

REVISION 7

RWS-F