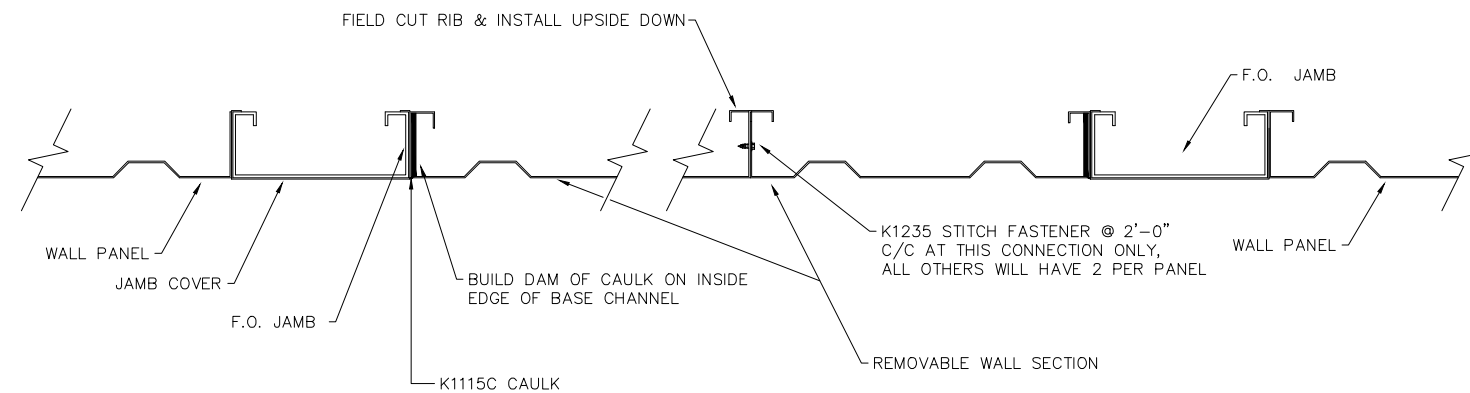
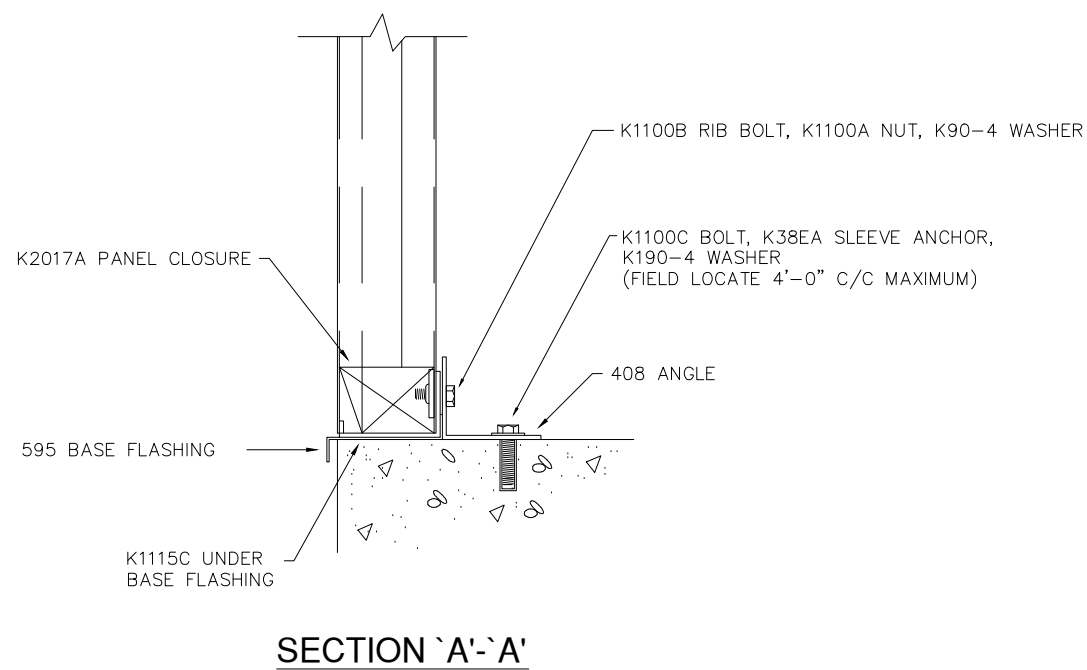
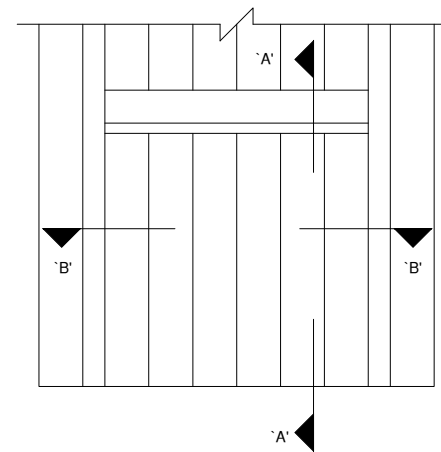
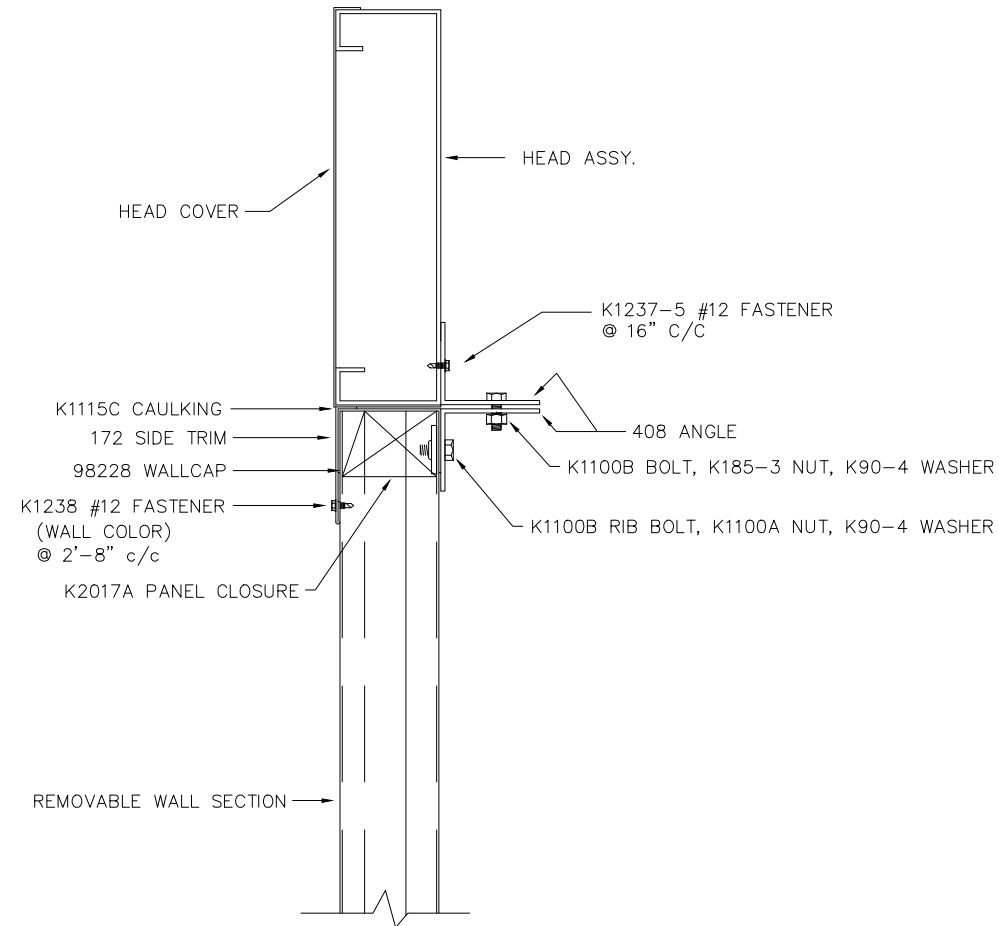


## NOTES

1. INSTALL FRAMED OPENING PER DRAWING FO-1A/1B OR FO-2A/2B , WHICHEVER MAY APPLY.
2. REMOVABLE WALL SECTION MUST BE ASSEMBLED ON GROUND AND LIFTED INTO PLACE. CHECK OVERALL DIMMENSIONS AS YOU PROCEED TO ASSURE PROPER FIT.
3. NOTICE THAT THE LAST PANEL TO THE RIGHT MUST BE INSTALLED UPSIDE DOWN AS SHOWN IN SECTION 'B'-'B'
4. ENDS OF BASE CHANNEL IN REMOVABLE SECTION MUST BE PROPERLY CAULKED AS SHOWN IN SECTION 'B'-'B' TO ELIMINATE WATER LEAKAGE.
5. CARE MUST BE TAKEN WHEN REMOVING WALL SECTION AS BASE FLASHING IS EASILY DAMAGED.



REVISIONS	BY
11-15-94	JCH
01-06-05	WBD
07-26-11	KRK

**PARKLINE, INC.**  
 RT. 62, ELEANOR INDUSTRIAL PARK  
 ELEANOR, WV 25070  
 EMAIL: PARKLINE@PARKLINE.COM  
 PHONE: 800-786-4855  
 FAX: 304-586-3842  
 ENGINEER: TOM HARDING  
 THARDING@PARKLINE.COM

JOB DESCRIPTION  
**REMOVABLE WALL SECTION WITHOUT LINER**

SHEET TITLE  
**DETAILS**

DATE	2-13-91
DRAWN BY	RAM
SCALE	NTS
ORDER NO.	
REVISION	3

RWS