

CEILING

PRODUCT DESCRIPTION

CEILING

The metal ceiling system shall consist of 3" deep, 16" wide interlocking panels of nominal 24 gauge embossed galvanized steel, factory painted Arctic White. The ceiling system shall be supported at its perimeter by concealed angles and self drilling fasteners. The ceiling system shall be furnished complete with all necessary connectors and fasteners.

Option - (1): Metal ceiling insulated with 16" wide, 3½" thick, R-13 unfaced fiberglass insulation laid at right angles on top of the panel ribs.

Continuous Insulation	R 13
-----------------------	------

Calculated system "U" value 0.09 (ASHRAE zone method)

Option - (2): Metal ceiling insulated with 16" wide, 3½" thick, R-13 unfaced fiberglass insulation laid in between the panel ribs with an additional 16" wide, 3½" thick R-13 unfaced fiberglass insulation layer placed perpendicular to the bottom layer.

Cavity Insulation	R 13
Continuous Insulation	R 13

Calculated system "U" value 0.06 (ASHRAE zone method)

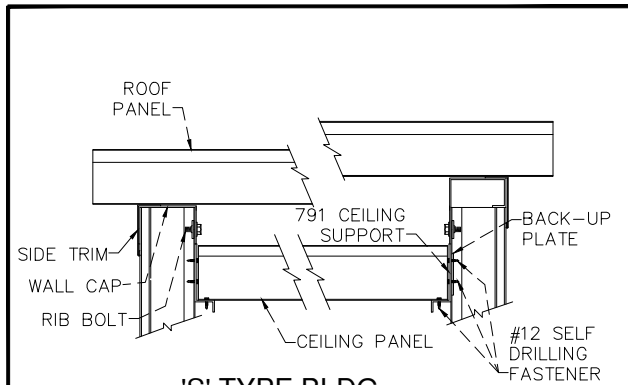
Option - (3): Metal ceiling insulated with 16" wide, 3½" thick, R-13 unfaced fiberglass insulation laid at right angles on top of the panel ribs with an additional 16" wide, 3½" thick R-13 unfaced fiberglass insulation layer placed perpendicular to the bottom layer.

Continuous Insulation	R 26
-----------------------	------

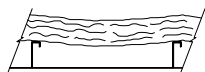
Calculated system "U" value 0.05 (ASHRAE zone method)

Option three requires ceiling to be dropped 3" below that shown in drawing above left.

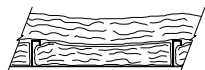
Optional: Acoustical perforations across 14" of panel width. Perforations shall be ⅛" diameter on a patterned spacing of ⅜". The ceiling system shall have been certified by an independent testing laboratory for a minimum NRC rating of 0.95 when tested in accordance with ASTM C 423-66 standards. (STC - 29)



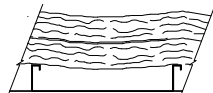
'S' TYPE BLDG.



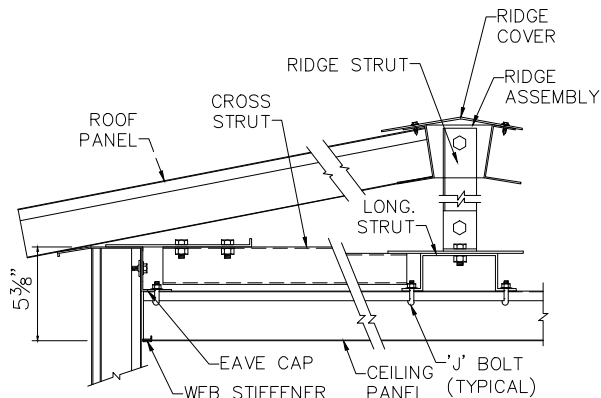
3½" UNFACED FIBERGLASS (OPT. 1)



7" UNFACED FIBERGLASS (OPT. 2)



7" UNFACED FIBERGLASS (OPT. 3)



'AL' TYPE BLDG.

PRODUCT NAME

Ceiling

MANUFACTURER

Parkline, Inc.
 P.O. Box 65
 Winfield, West Virginia 25213
 Phone: (304) 586-2113 in WV
 (800) 786-4855 outside WV
 (304) 586-3842 FAX

web: <http://www.parkline.com>
 E-mail: parkline@parkline.com

 **PARKLINE, INC.**
13122CEL