

ROOF INSULATION

PRODUCT DESCRIPTION

BLANKET ROOF INSULATION

Roof insulations shall consist of 48" wide, 3", 4" or 6" thick, 6# density fiberglass faced on its exposed side with a white metalized polypropylene scrimkraft facing. The faced insulation material shall have a UL Flame Spread Rating of 25 when treated in accordance with UL 723 ASTM E 84 procedures.

Insulation shall be supported at the roof line by means of mechanical clips spaced on maximum 4'-0" centers and shall be sealed by means of 2" side tab on facing.

SYSTEM VALUES		R
3" Thick	Continuous	10.4
4" Thick	Continuous	13.2
6" Thick	Continuous	19.3

Calculated system "U" value 0.10, 0.08 & 0.05 respectively (ASHRAE zone method)

THERMA-ROOF

The Therma-Roof insulation system shall consist of two layers of 48" wide polyisocyanurate foam board faced with a white embossed foil on the exposed interior surface. The roof insulation system shall include metal supporting tees on 4' centers and all trim required for a finished interior appearance. No metal-to-metal contact between the insulation system and exterior roof or wall covering will be permitted.

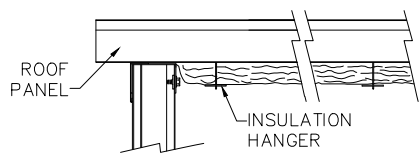
Insulation shall have a maximum UL flame spread rating of 25, fuel contributed rating of 10 and smoke developed rating of 155-190 when treated in accordance with UL 723 testing methods and shall meet the requirements of the Underwriters Laboratories "Wall-Ceiling" Construction Classification.

Insulation thickness shall be 3". (two layers of 1½" thermax board insulation)

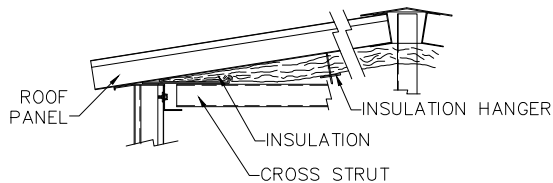
SYSTEM VALUES		R
1½"	Continuous	9.8
1½"	Cavity	9.8

Calculated system "U" value 0.04 (ASHRAE zone method)

 **PARKLINE, INC.**
13122RI

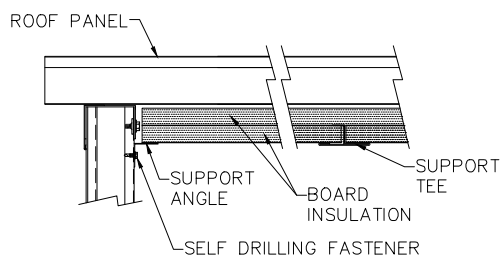


'S' TYPE BLDG.

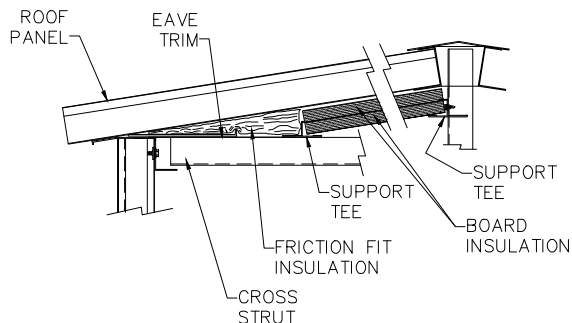


'AL' TYPE BLDG.

BLANKET ROOF INSULATION



'S' TYPE BLDG.



'AL' TYPE BLDG.

THERMA - ROOF

PRODUCT NAME

Roof Insulation

MANUFACTURER

Parkline, Inc.
P.O. Box 65
Winfield, West Virginia 25213
Phone: (304) 586-2113 in WV
(800) 786-4855 outside WV
(304) 586-3842 FAX
web: <http://www.parkline.com>
E-mail: parkline@parkline.com