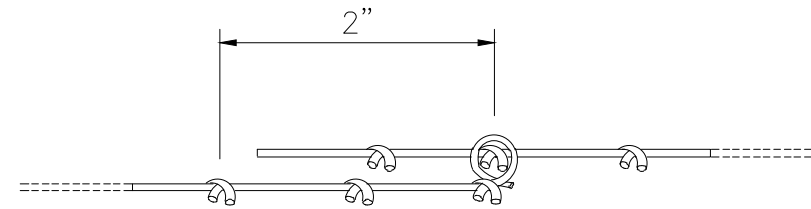


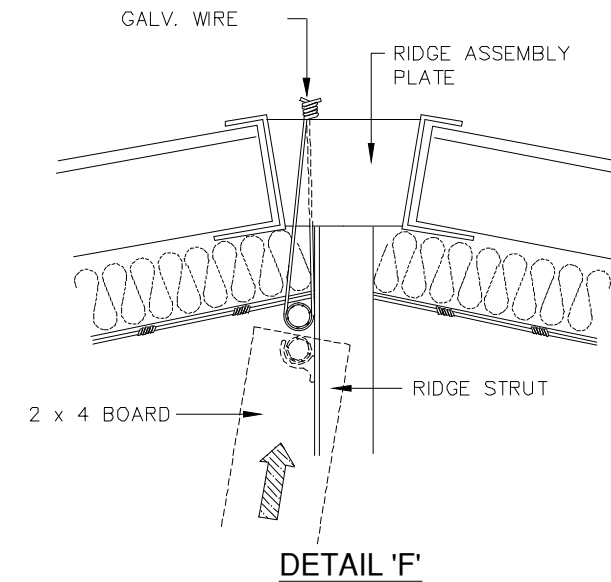
**DETAIL 'A'**



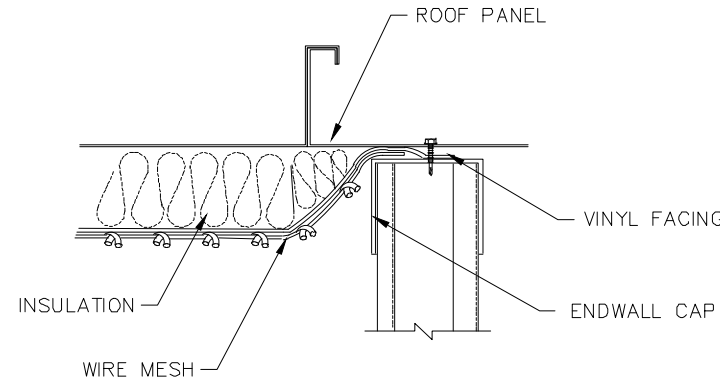
**MATERIAL SPECS:**

1. 1" HEX PLATED WIRE MESH (1" x 36" x 150' ROLL)
2. 1/2" GALV. RIDGID CONDUIT (10'-0" SECTION)
3. CONDUIT CLAMP (1-HOLE)
4. GALV. CONDUIT COUPLING
5. GALV. WIRE (NOMINAL 10 GA.) (BY OTHERS)

3. PLACE NEXT PIECE OF MESH LAPPING OVER ADJACENT MESH APPROXIMATELY 2". CUT EDGE OF MESH AND TIE SPLICE TOGETHER. (SEE DETAIL 'E')
4. PLACE FIRST PIECE OF INSULATION OVER ENDWALL CAP AND AT OUTSIDE LINE OF SIDEWALL CAP. PULL INSULATION BETWEEN MESH AND RIDGE TO OPPOSITE EAVE. TRIM INSULATION BACK SO THAT VINYL FACING MAY BE KEPT IN PLACE WITH SPRAY GLUE. (SEE DETAIL 'B' AND 'C') (GLUE BY OTHERS)



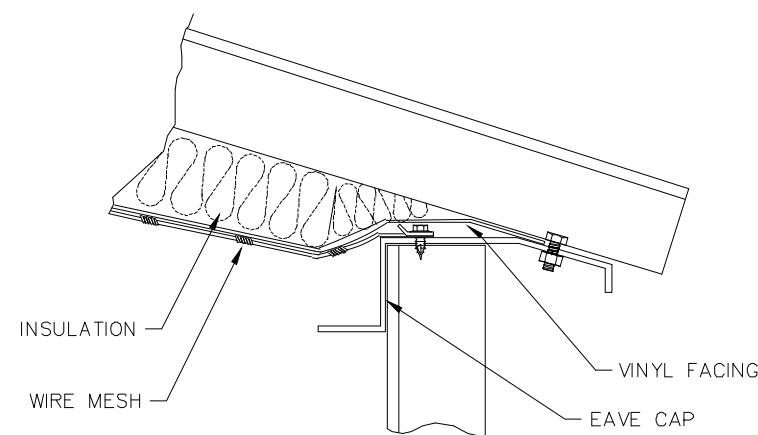
**DETAIL 'F'**



**DETAIL 'B'**

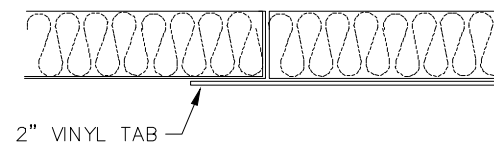
**NOTE**  
THIS SYSTEM MUST BE INSTALLED PRIOR TO ROOF PANEL INSTALLATION.

1. AFTER THE RIDGE ASSEMBLIES ARE IN PLACE, INSTALL FIRST CONDUIT (APPROX. THE THICKNESS OF THE INSULATION) BELOW THE BOTTOM OF THE RIDGE, FOR TEMPORARY SUPPORT, FASTEN WITH A CONDUIT CLAMP USING A K1237-5 SELF DRILLING FASTENER AT THE RIDGE STRUT. (SEE DETAIL 'A')
2. PLACE THE FIRST PIECE OF MESH. ALLOW THE MESH TO COVER THE ENDWALL CAP AND HOLD IN PLACE WITH K54 RIVETS. AT THE EAVE LINE FASTEN MESH TO EAVE CAP WITH K1237-5 SELF DRILLING FASTENER AT ONE SIDEWALL. PULL MESH OVER RIDGE CONDUIT TO OPPOSITE EAVE. **DO NOT TRY TO PULL MESH TIGHT** PULL ONLY UNIL TENSION IS FELT AND FASTEN WITH K1237-5 SELF DRILLING FASTENER. (SEE DETAIL 'B' AND 'C')



**DETAIL 'C'**

5. PLACE ROOF PANELS OVER MESH AND INSULATION.



**DETAIL 'D'**

6. REPEAT STEP 3.
7. PLACE NEXT PIECE OF INSULATION. SEAL TAB OF FACING TO ADJACENT PIECE WITH SPRAY GLUE OR BY STAPLING TABS TOGETHER. (SEE DETAIL 'D')
8. REPEAT STEPS 5, 6, AND 7 TO END OF BUILDING.
9. BEFORE FASTENING ROOF TO ENDWALL CAP, PUSH CENTER CONDUIT TIGHT AND TIE TO RIDGE PLATE WITH GALV. WIRE AT APPROXIMATELY 4 FOOT SPACING. RELOCATE CONDUIT CLAMPS TO RIDGE STRUTS. (SEE DETAIL 'F')

(USE THIS DRAWING WITH AL-ROOF ROOF ERECTION)

REVISIONS	BY
1-27-83	JFH
10-18-83	RAP
12-30-98	DLR
09-03-03	DLR
01-07-05	WBD
	4

**PARKLINE, INC.**  
P O Box 65 Winfield, WY 25213  
phone: (304) 586-2113

JOB DESCRIPTION  
**WIRE MESH ROOF INSULATION  
INSTALLATION DRAWING**

SHEET TITLE  
**DETAILS**

DATE	1-14-83
DRAWN BY	JFH
SCALE	NTS
ORDER NO.	
REVISION	<b>5</b>
DWG. NO.	<b>200209</b>