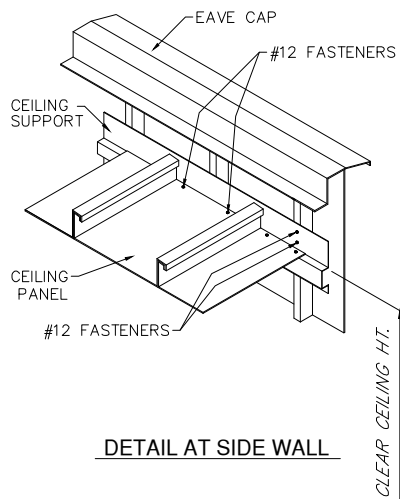
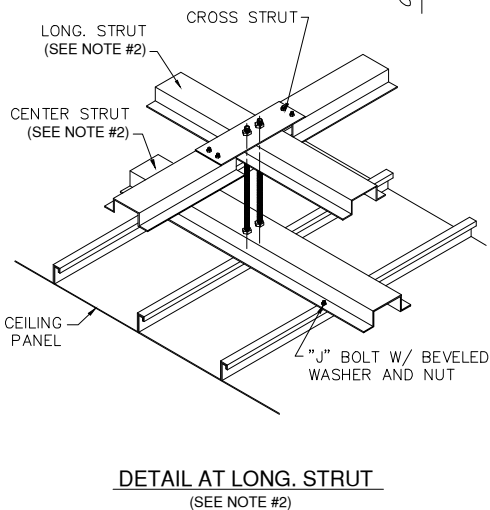


TYPICAL CROSS SECTION



DETAIL AT SIDE WALL



DETAIL AT LONG. STRUT
(SEE NOTE #2)

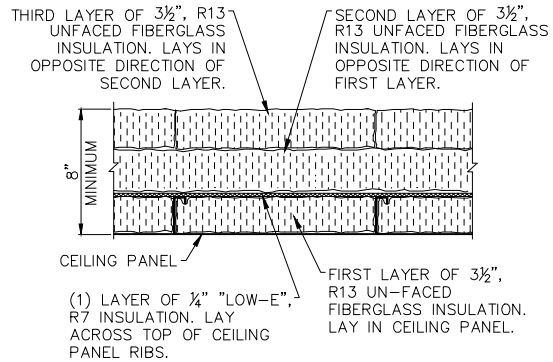
**STANDARD CEILING FOR
TYPE 'AL' BUILDING
WITH R38 INSULATION SYSTEM**

PRODUCT DESCRIPTION

The metal ceiling system shall consist of 3" deep, 16" wide interlocking panels of nominal 24 gauge embossed galvanized steel, factory painted Arctic White. (ASTM A653 GRADE 40)

This ceiling system must be a minimum of 11" below eave height. It shall be supported at the side walls with a nominal 14 gauge support attached with #12 self drilling fasteners. The ceiling system shall be furnished complete with all necessary connectors and fasteners.

Ceiling is insulated with (3) layers of 3½" R13 un-faced fiberglass insulation and (1) layer of ¼" 'Low-E' R7 insulation.



R38 INSULATION DETAIL

NOTES:

1. - Clear ceiling height for this insulation system is a minimum of eave height - 9". (Requires dropped ceiling height). See job specific elevations.
2. - Long struts are only used on building wider than 16'-0".

NOTES:

1. Equipment supports are required when additional load must be supported from the ceiling. (Support can also be used without a ceiling system.) The most common type of loads to be supported are electrical/ lights and cable tray systems.
2. Equipment supports vary in size. Gauge and locations depending on the load to be supported.
3. Refer to your job specific roof panel layout or cable tray layout for quantity and locations.
4. All connection items and hardware are not provided by Parkline.