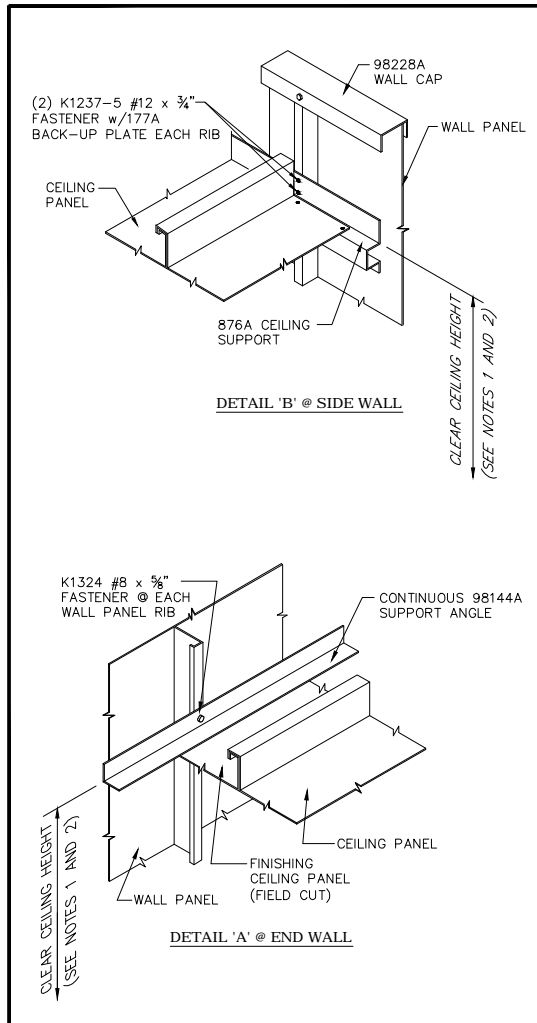


STANDARD CEILING FOR TYPE 'S' BUILDING

PRODUCT DESCRIPTION

The metal ceiling system shall consist of 3" deep, 16" wide interlocking panels of nominal 24 gauge embossed galvanized steel, factory painted Arctic White. (ASTM A653 GRADE 40).

The ceiling system shall be supported at the side walls with a nominal 14 gauge support attached with #12 self drilling fasteners (**SEE DETAIL-1**). The ceiling system shall be furnished complete with all necessary connectors and fasteners.



NOTE:

1. Standard full height ceiling is 6" below low side eave height. Dropped ceiling heights are provided when additional clearance is required above ceiling for insulation, ceiling supports, etc. The job specific elevation drawing shows the finished ceiling height for this building.
2. Insulation values vary per building. Standard insulation systems are R30, R38 and R49. Each of these meet energy code requirements for the building location. Refer to the job specific floor plan drawing to see the ceiling insulation being provided for this building.