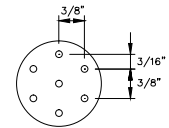


STANDARD PERFORATED CEILING FOR TYPE 'S' BUILDING WITH R49 INSULATION

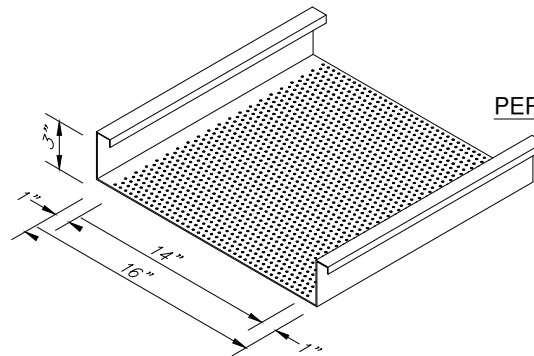
PRODUCT DESCRIPTION

The metal ceiling system shall consist of 3" deep, 16" wide interlocking panels of nominal 24 gauge galvanized steel, factory painted Arctic White. The ceiling system shall be supported at the side walls with a nominal 14 gauge support attached with #12 self drilling fasteners. The ceiling system shall be furnished complete with all necessary connectors and fasteners.

Acoustical perforations across 14" of panel width. perforations shall be 1/8" diameter on a patterned spacing of 3/8". The ceiling system shall have been certified by an independent testing laboratory for a minimum NRC of 0.95 when tested in accordance with ASTM C 423-66 standards. STC-29.



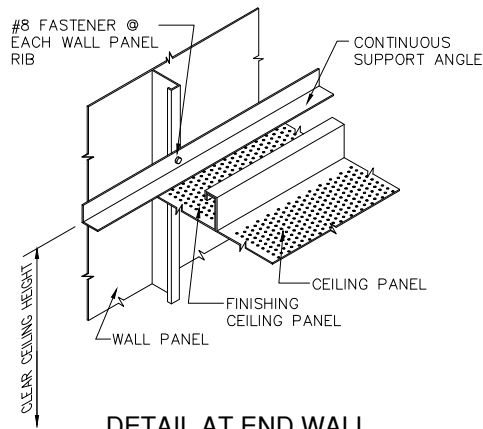
PERFORATION DETAIL



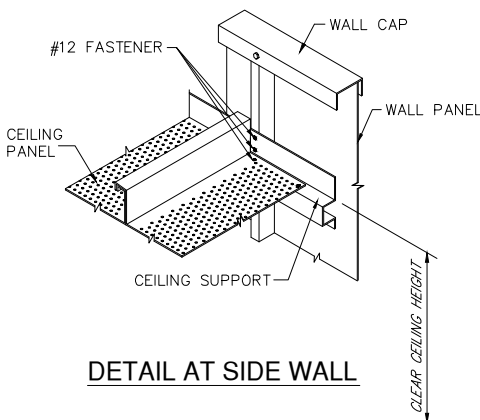
PERFORATED CEILING PANEL

Ceiling is insulated with (4) layers of 3 1/2" R13 unfaced fiberglass insulation and (1) layer of 1/4" 'Low-E' R7 insulation.

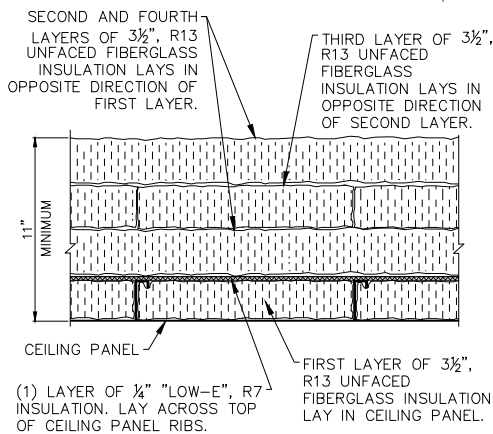
NOTE: Clear ceiling height is eave height - 11" (minimum). (Requires dropped ceiling height).



DETAIL AT END WALL



DETAIL AT SIDE WALL



R49 INSULATION DETAIL

NOTES:

1. Equipment supports are required when additional load must be supported from the ceiling. (Support can also be used without a ceiling system.) The most common type of loads to be supported are electrical/ lights and cable tray systems.
2. Equipment supports vary in size. Gauge and locations depending on the load to be supported.
3. Refer to your job specific roof panel layout or cable tray layout for quantity and locations.
4. All connection items and hardware are not provided by Parkline.