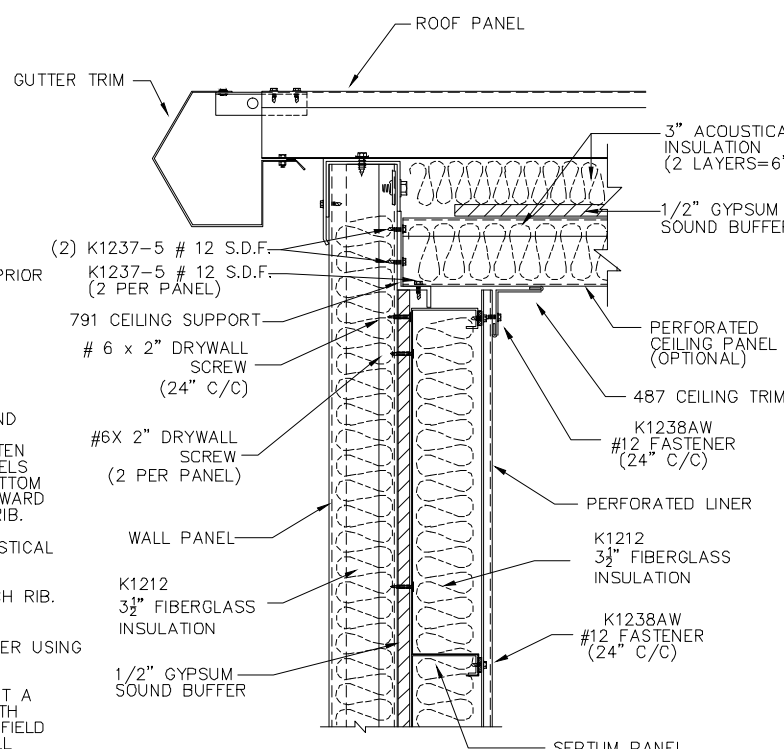


**INSTALLATION :**

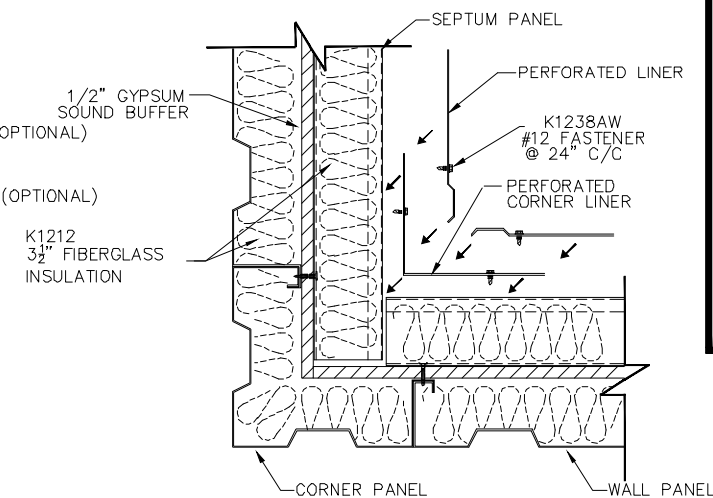
1. INSTALL PERFORATED CEILING IF USED PRIOR TO STARTING WALL LINER. SEE DRAWING CEIL-A-1 (STANDARD HEIGHT) SEE DRAWING CEIL-A-2 (DROPPED)
2. FASTEN 1/2" GYPSUM BOARD (SOUND BUFFER) TO WALL PANEL RIBS USING 2" DRYWALL SCREWS.
3. INSTALL SEPTUM PANELS AGAINST SOUND BUFFER POSITIONING TOP PANEL BELOW CEILING WITH SUFFICIENT ROOM TO FASTEN LINER TO SEPTUM RIB. FIELD CUT PANELS AROUND ALL OPENINGS. FIELD CUT BOTTOM PANEL AND REVERSE RIB DIRECTION UPWARD ALLOWING ROOM TO FASTEN LINER TO RIB.
4. FILL SEPTUM PANEL CAVITY WITH ACOUSTICAL INSULATION.
5. INSTALL K1162R CLOSURE TAPE TO EACH RIB OF SEPTUM PANELS.
6. INSTALL CORNER LINERS IN EACH CORNER USING K1238AW #12 FASTENERS AS SHOWN.
7. BEGIN INSTALLING PERFORATED LINER AT A CORNER. ATTACH TO SEPTUM LEGS WITH K1238AW #12 FASTENERS AS SHOWN. FIELD CUT LINER PANELS AS REQUIRED AT ALL WALL OPENINGS AND AT CORNERS.
8. INSTALL ALL LINER TRIM AROUND WALL OPENINGS USING K1238AW #12 FASTENERS.
9. INSTALL CEILING TRIM AROUND TOP PERIMETER USING K1238AW #12 FASTENERS.



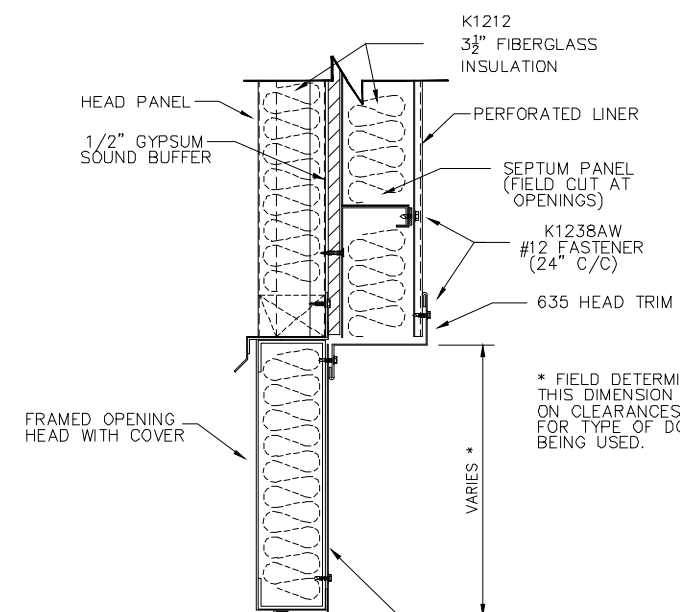
**TYPICAL CROSS SECTION**

(LOW SIDEWALL SHOWN)

NOTE: SHOWN WITH OPTIONAL ACOUSTICAL CEILING SYSTEM



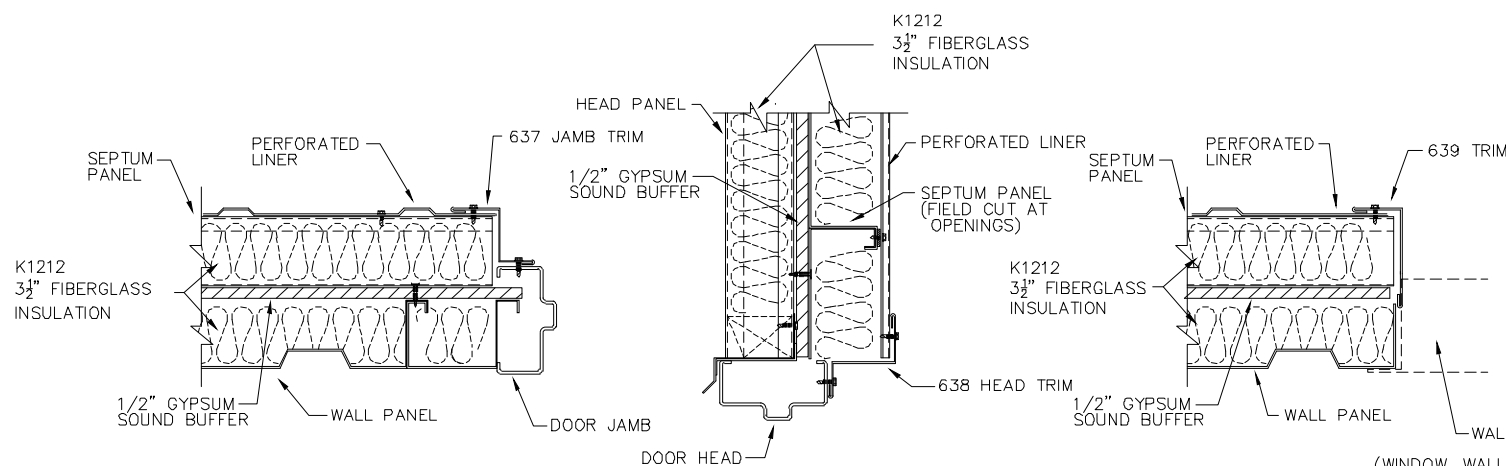
**CORNER DETAIL**



**FRAMED OPENING HEAD DETAIL**

\* FIELD DETERMINE THIS DIMENSION DEPENDING ON CLEARANCES REQUIRED FOR TYPE OF DOOR BEING USED.

OPTIONAL 636 TRIM USED WITH SECTIONAL DOORS ONLY.



**JAMB DETAIL**

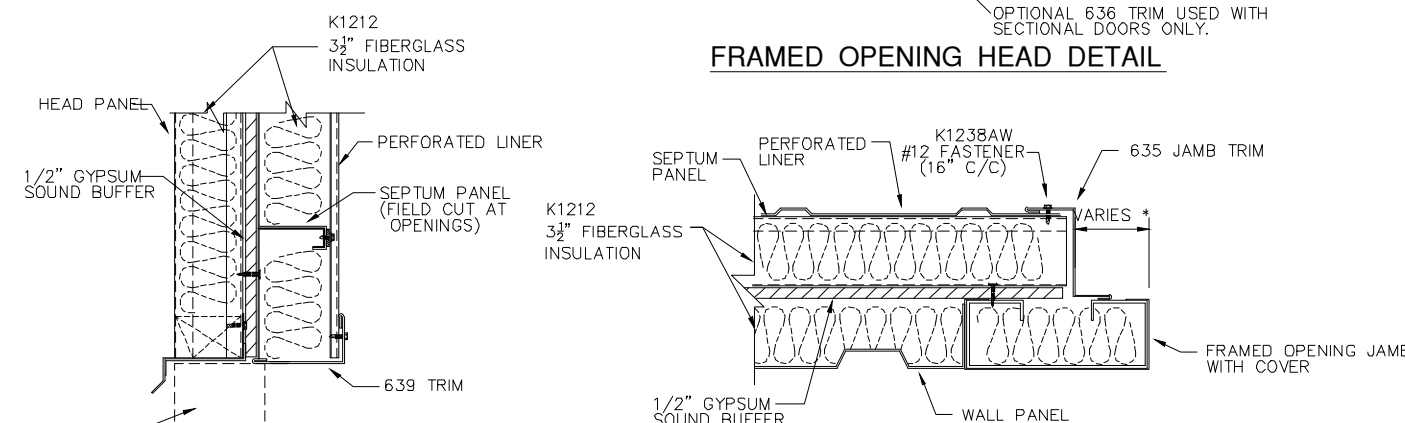
**HEAD DETAIL**

**JAMB DETAIL**

**HEAD DETAIL**

**DOOR SECTION**

**WALL OPENING SECTION**



**FRAMED OPENING JAMB DETAIL**

NOTE: THIS IS A NON-TESTED SYSTEM

REVISIONS	BY
9-24-03	RAP
10-13-03	RAP
1-17-05	WBD
01-25-05	DLR

**PARKLINE, INC.**  
P O Box 65 Winfield, WV 25213  
phone: (304) 586-2113

**A48**  
**ACOUSTICAL WALL SYSTEM FOR TYPE 'S' BUILDINGS**

JOB DESCRIPTION

SHEET TITLE

**DETAILS**

DATE	5-16-03
DRAWN BY	RAP
SCALE	NTS
ORDER NO.	
REVISION	4
DWG. NO.	A48-S-NT