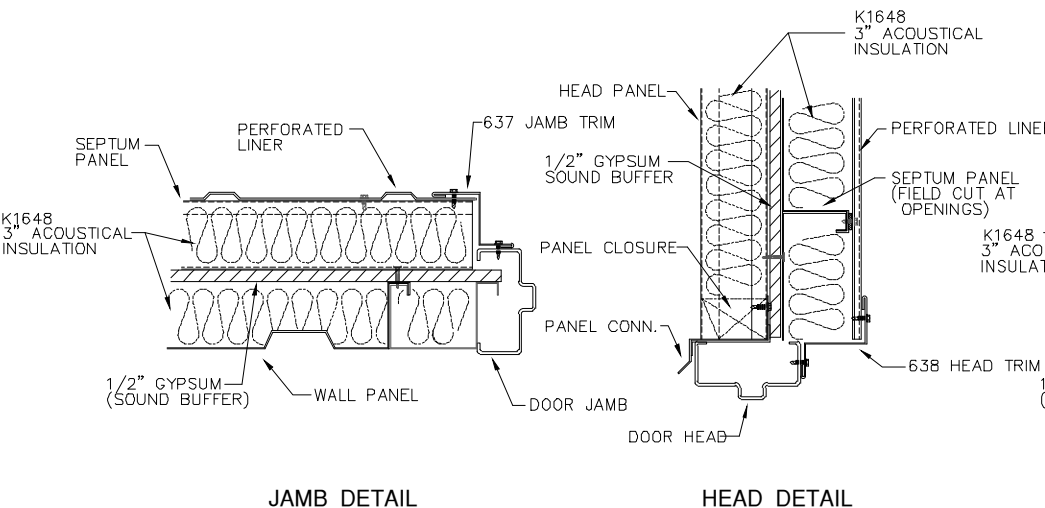
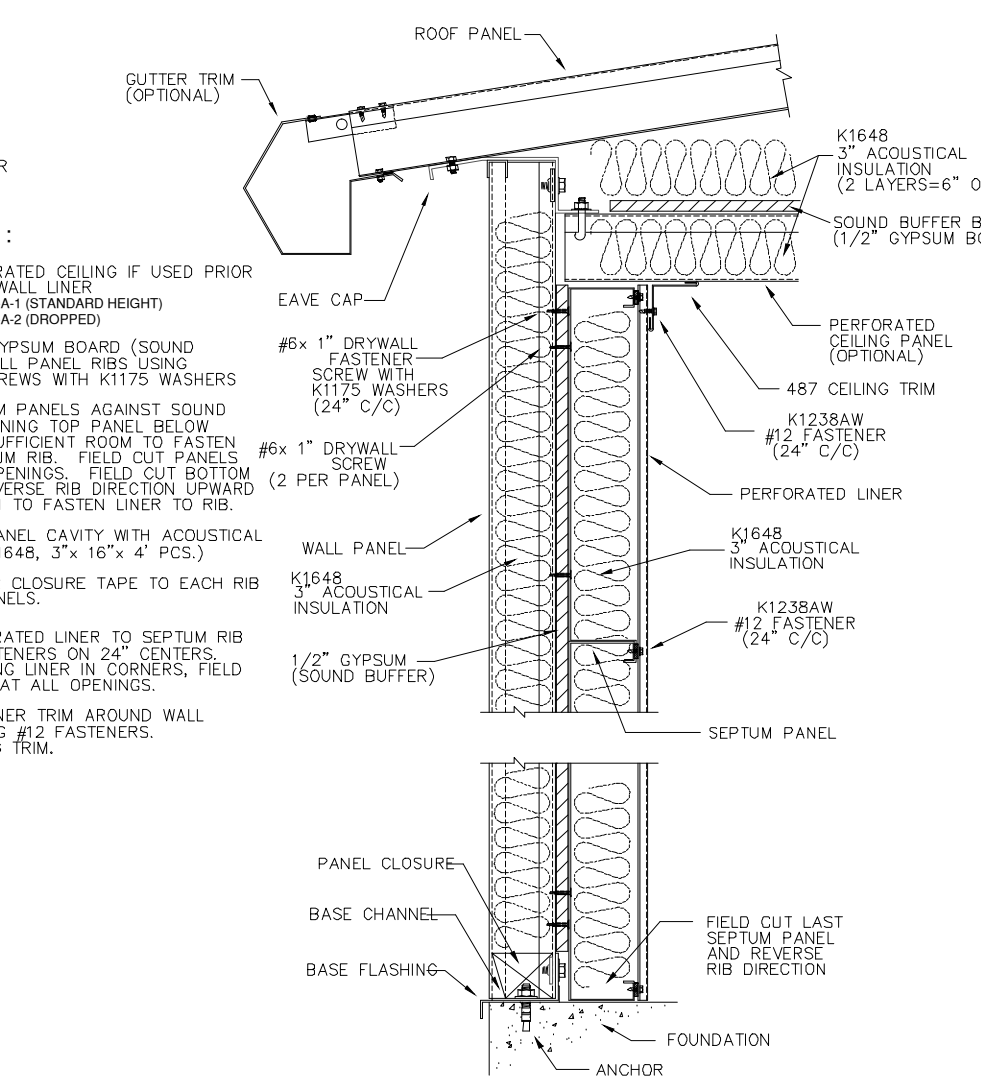


- INSTALLATION :**
1. INSTALL PERFORATED CEILING IF USED PRIOR TO STARTING WALL LINER. SEE DRAWING CEIL-A-1 (STANDARD HEIGHT) SEE DRAWING CEIL-A-2 (DROPPED)
 2. FASTEN 1/2" GYPSUM BOARD (SOUND BUFFER) TO WALL PANEL RIBS USING 1" DRYWALL SCREWS WITH K1175 WASHERS
 3. INSTALL SEPTUM PANELS AGAINST SOUND BUFFER POSITIONING TOP PANEL BELOW CEILING WITH SUFFICIENT ROOM TO FASTEN LINER TO SEPTUM RIB. FIELD CUT PANELS AROUND ALL OPENINGS. FIELD CUT BOTTOM PANEL AND REVERSE RIB DIRECTION UPWARD ALLOWING ROOM TO FASTEN LINER TO RIB.
 4. FILL SEPTUM PANEL CAVITY WITH ACOUSTICAL INSULATION. (K1648, 3"x 16"x 4' PCS.)
 5. INSTALL K1162R CLOSURE TAPE TO EACH RIB OF SEPTUM PANELS.
 6. FASTEN PERFORATED LINER TO SEPTUM RIB USING #12 FASTENERS ON 24" CENTERS. BEGIN INSTALLING LINER IN CORNERS, FIELD CUTTING LINER AT ALL OPENINGS.
 7. INSTALL ALL LINER TRIM AROUND WALL OPENINGS USING #12 FASTENERS. INSTALL CEILING TRIM.



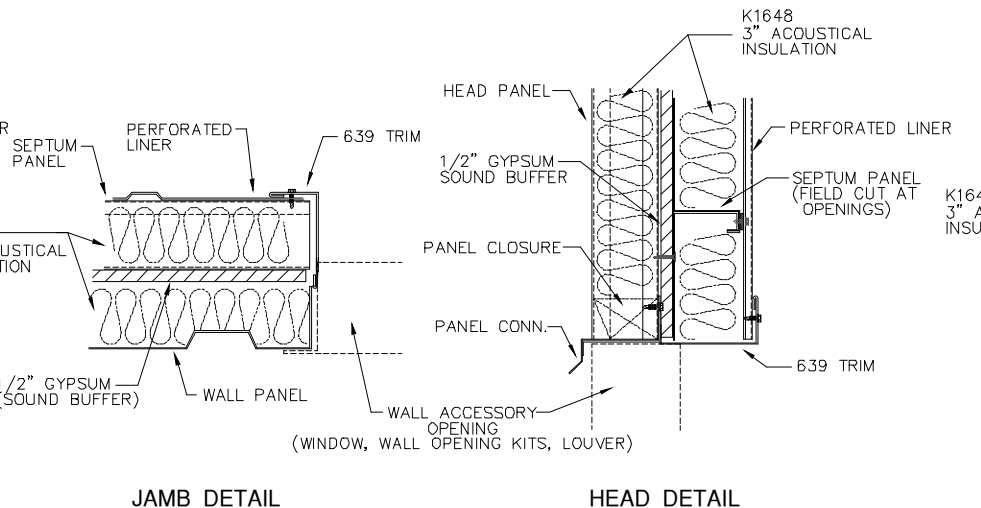
JAMB DETAIL

DOOR SECTION

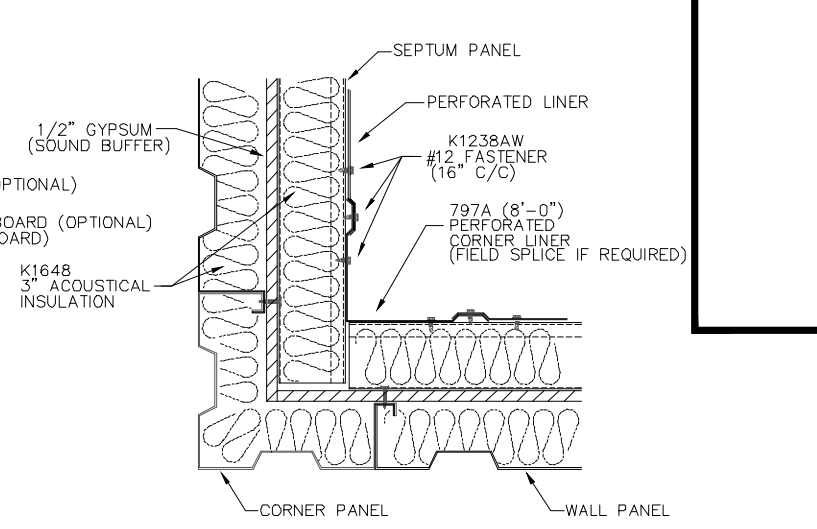


TYPICAL CROSS SECTION

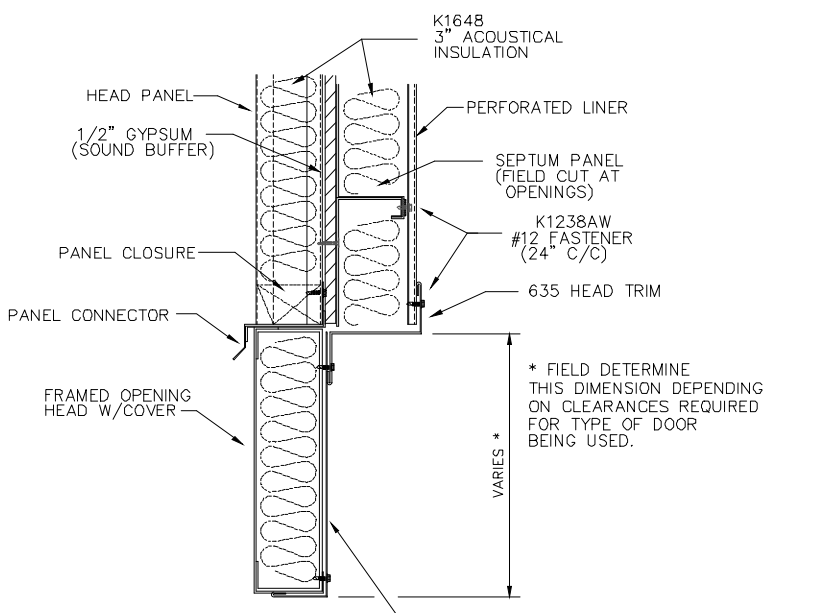
(SIDEWALL SHOWN)
NOTE: SHOWN WITH OPTIONAL ACOUSTICAL CEILING SYSTEM.



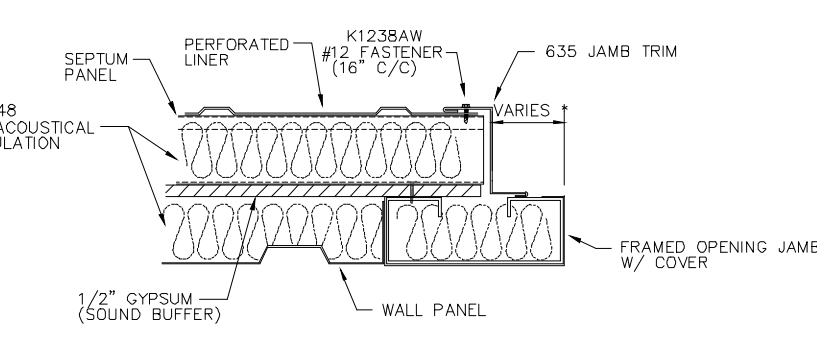
WALL OPENING SECTION



CORNER DETAIL



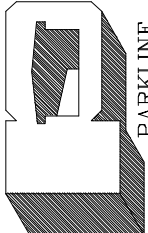
FRAMED OPENING HEAD DETAIL



FRAMED OPENING JAMB DETAIL

NOTE: BECAUSE OF THE DENSITY OF THE 3" ACOUSTICAL INSULATION IN THE EXTERIOR FLUTED PANEL, ERECTION AND FINAL APPEARANCE MAY BE AFFECTED.

REVISIONS	BY
07-24-97	CBP
11-16-01	DLR
03-21-03	DLR
05-14-03	RAP
09-30-04	DLR
01-25-05	DLR



PARKLINE, INC.
P O Box 65 Winfield, WV 25213
phone: (304) 586-2113

A49 ACOUSTICAL WALL SYSTEM FOR TYPE 'AL' BUILDINGS

JOB DESCRIPTION

SHEET TITLE

INSTALLATION

DATE	12-20-96
DRAWN BY	JEH
SCALE	N.T.S
ORDER NO.	
REVISION	6

DWG. NO.
A49-AL