

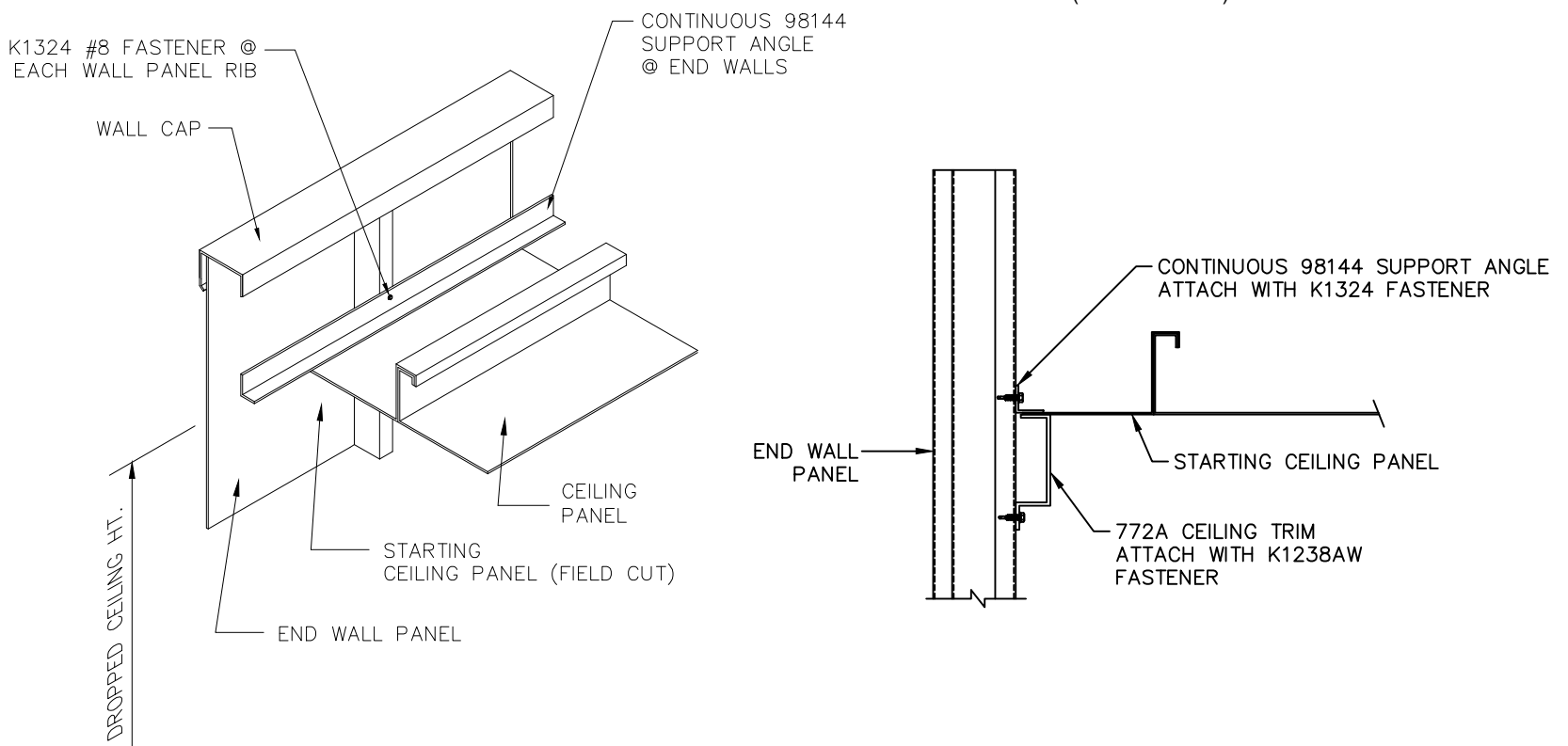
NOTE:
INSTALL ALL CEILING TRIM BEFORE INSTALLATION OF CEILING PANELS.

SECTION THROUGH CEILING @ SIDE WALLS

- NOTES:**
- EQUIPMENT SUPPORTS ARE TO BE INSTALLED IN THE CENTER OF PANEL UNLESS NOTED OTHERWISE ON STIFFENER LAYOUT.
 - ALWAYS MARK STIFFENER LOCATIONS FOR FUTURE ATTACHMENT OF ACCESSORIES.
 - USE THIS DRAWING IN CONJUNCTION WITH WIND BRACING LAYOUT.
 - SEE DRAWING **CEIL-STIF-RN** FOR $\frac{3}{8}$ " RIBBED RIVET NUT INSTALLATION (IF SUPPLIED).

INSTALLATION:

- STEP 1** INSTALL CONTINUOUS 98144 SUPPORT ANGLES AT CEILING HEIGHT ON END WALLS.
- STEP 2** INSTALL 876A CEILING HANGERS AT SIDE WALLS USING THE TOP & BOTTOM FASTENERS, FIELD CUTTING AND LEAVING THE LAST 24" (APPROX.) OF HANGERS OFF UNTIL THE LAST OF THE CEILING PANELS HAVE BEEN LIFTED ABOVE FINISHED CEILING HEIGHT.
- STEP 3** INSTALL ALL CEILING TRIM AS SHOWN.
- STEP 4** START INSTALLING CEILING PANELS. LIFT CEILING PANEL (WITH EQUIPMENT SUPPORT INSIDE IF REQUIRED) UP TO REST ON BOTH SIDEWALL HANGERS BY RESTING PANEL ON ONE HANGER FIRST AND THEN PULLING PANEL BACK TO REST ON BOTH SIDE WALL HANGERS. WHEN CEILING PANEL IS RESTING EVENLY ON SIDE WALL HANGERS, INSTALL THE SELF-DRILLING FASTENERS THROUGH THE EQUIPMENT SUPPORTS AND CEILING PANELS INTO SIDEWALL HANGERS.
- STEP 5** AFTER THE LAST FULL CEILING PANEL AND THE FINISH CEILING PANEL HAVE BEEN LIFTED ABOVE CEILING LINE, INSTALL REMAINING SECTIONS OF 876A SIDEWALL HANGERS AND TRIM. DROP CEILING PANELS INTO PLACE AND FASTEN.
- STEP 6** INSTALL WALL LINER PER STANDARD DRAWINGS.



SECTION THROUGH CEILING @ END WALL

REVISIONS	BY
09-08-00	DLR
03-06-03	CBP
05-22-03	RAP
12-17-04	WBD
08-01-05	RAP
10-02-08	CBP
11-16-10	JMC
1-20-11	CBP
02-09-11	TLC

PARKLINE, INC
P O Box 65 Winfield, WV 25213
phone: (304) 586-2113

1 PIECE DROPPED CEILING DETAILS FOR 'AL' BLDGS. W/ EQUIPMENT SUPPORTS FOR 16'-0" WIDE OR LESS

SECTIONS AND DETAILS

DATE	05-11-00
DRAWN BY	DLR
SCALE	NTS
ORDER NO.	
REVISION	9

CEIL-AL-2