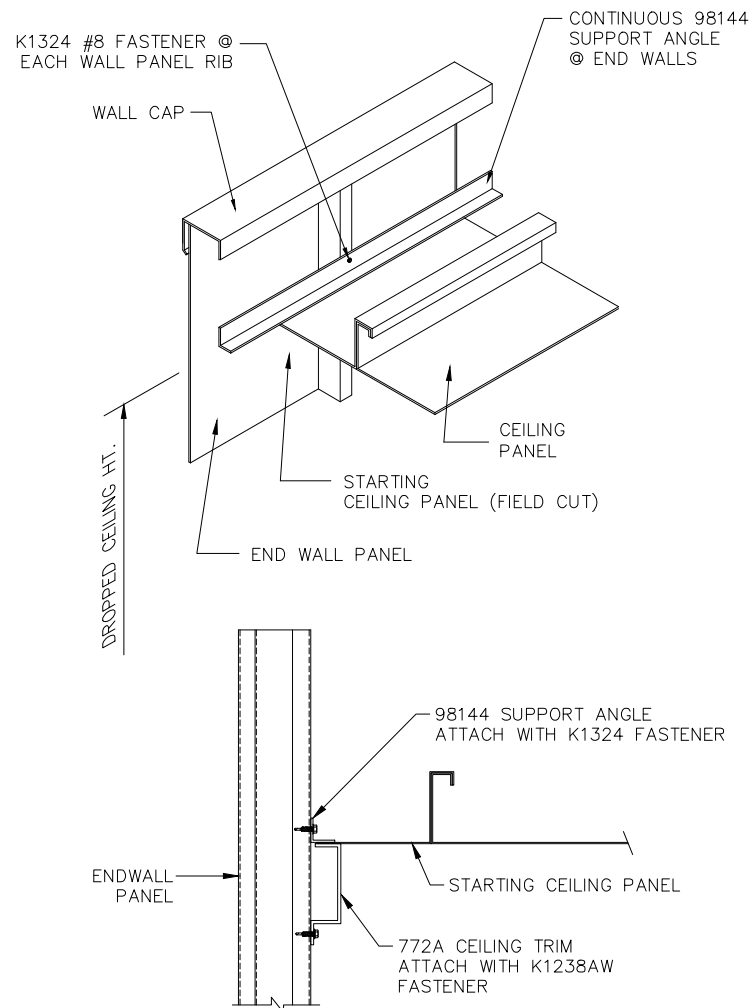


SECTION THROUGH CEILING @ SIDE WALLS

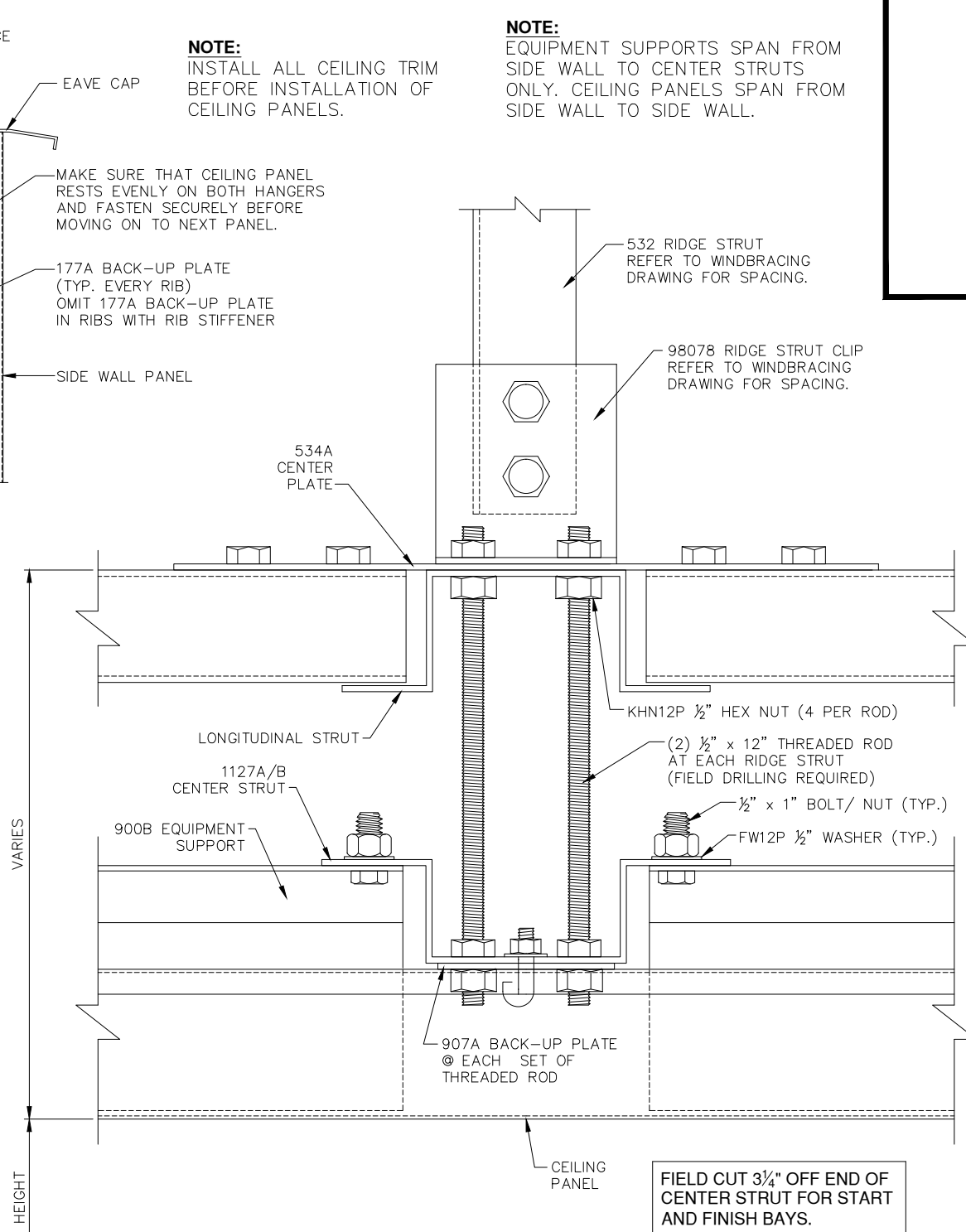
INSTALLATION:

- STEP 1** INSTALL CONTINUOUS 98144 SUPPORT ANGLES AT CEILING HEIGHT ON END WALLS.
- STEP 2** INSTALL 876A CEILING HANGERS AT SIDE WALLS USING THE TOP AND BOTTOM FASTENERS. INSTALL 772A CEILING TRIM AT ALL WALLS USING K1238AW FASTENERS, FIELD CUTTING AND LEAVING THE LAST 24" (APPROX.) OF HANGERS OFF UNTIL THE LAST OF THE CEILING PANELS HAVE BEEN LIFTED ABOVE FINISHED CEILING HEIGHT.
- STEP 3** INSTALL THE 1127A/B CENTER STRUTS. CUT 3/4" OFF THE FIRST AND LAST STRUT TO CLEAR BUILDING END WALLS. THESE STRUTS WILL BUTT END-TO-END THE LENGTH OF THE BUILDING. USE 1/2" THREADED ROD AND HEX NUTS AS SHOWN.
- STEP 4** START INSTALLING CEILING PANELS. LIFT CEILING PANELS UP TO REST ON BOTH SIDEWALL HANGERS BY RESTING PANELS ON ONE HANGER FIRST AND THEN PULLING PANELS BACK TO REST ON BOTH SIDE WALL HANGERS. WHEN CEILING PANELS ARE RESTING EVENLY ON SIDE WALL HANGERS, INSTALL THE CENTER J-BOLT AND THE SELF-DRILLING FASTENERS THROUGH THE EQUIPMENT SUPPORTS AND CEILING PANELS INTO SIDEWALL HANGERS.
- STEP 5** INSTALL THE EQUIPMENT SUPPORTS USING (2) 1/2" X 1" BOLTS/ NUTS & WASHERS AT THE ENDS AT THE CENTER OF THE BUILDING AND RESTING THE OTHER END OF SUPPORTS ON SIDE WALL CEILING HANGERS.

NOTE: ALWAYS INSTALL THE CENTER J-BOLTS BEFORE LAYING THE EQUIPMENT SUPPORT IN THE CEILING PANEL.
- STEP 6** AFTER THE LAST FULL CEILING PANEL AND THE FINISH CEILING PANEL HAVE BEEN LIFTED ABOVE CEILING LINE, INSTALL REMAINING SECTIONS OF 876A SIDEWALL HANGERS AND TRIM. DROP CEILING PANELS INTO PLACE AND FASTEN.
- STEP 7** INSTALL WALL LINER PER STANDARD DRAWINGS.



SECTION THROUGH CEILING @ END WALL



THREADED ROD DETAIL

NOTES:

1. EQUIPMENT SUPPORTS ARE TO BE INSTALLED IN THE CENTER OF PANEL UNLESS NOTED OTHERWISE ON STIFFENER LAYOUT.
2. ALWAYS MARK STIFFENER LOCATIONS FOR FUTURE ATTACHMENT OF ACCESSORIES.
3. 1/2" THREADED ROD PROVIDED AT EACH RIDGE STRUT LOCATION. SEE WIND BRACING LAYOUT.
4. USE THIS DRAWING IN CONJUNCTION WITH WIND BRACING LAYOUT.
5. SEE DRAWING CEIL-STIF-RN FOR 3/8" RIBBED RIVET NUT INSTALLATION (IF SUPPLIED).

NOTE: INSTALL ALL CEILING TRIM BEFORE INSTALLATION OF CEILING PANELS.

NOTE: EQUIPMENT SUPPORTS SPAN FROM SIDE WALL TO CENTER STRUTS ONLY. CEILING PANELS SPAN FROM SIDE WALL TO SIDE WALL.

MAKE SURE THAT CEILING PANEL RESTS EVENLY ON BOTH HANGERS AND FASTEN SECURELY BEFORE MOVING ON TO NEXT PANEL.

177A BACK-UP PLATE (TYP. EVERY RIB) OMIT 177A BACK-UP PLATE IN RIBS WITH RIB STIFFENER

532 RIDGE STRUT REFER TO WINDBRACING DRAWING FOR SPACING.

98078 RIDGE STRUT CLIP REFER TO WINDBRACING DRAWING FOR SPACING.

| REVISIONS | BY |
|-----------|-----|
| 11-11-10 | JMC |
| 11-12-10 | JMC |
| 1-20-11 | CBP |
| 02-09-11 | TLC |
| 07-01-11 | KRK |

PARKLINE, INC
P O Box 65 Winfield, WV 25213
phone: (304) 586-2113

JOB DESCRIPTION
1 PIECE DROPPED CEILING DETAILS FOR 'AL' BLDGS. W/ EQUIPMENT SUPPORTS FOR 20'-0" WIDE OR MORE

SHEET TITLE
SECTIONS AND DETAILS

| | |
|-----------|----------|
| DATE | 11-03-10 |
| DRAWN BY | JMC |
| SCALE | NTS |
| ORDER NO. | |
| REVISION | 5 |

CEIL-AL-3