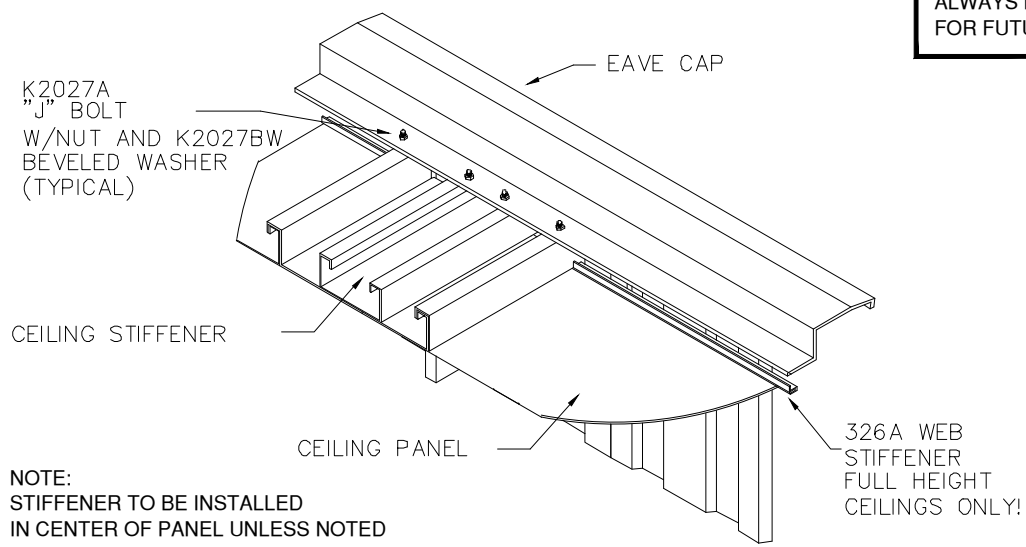
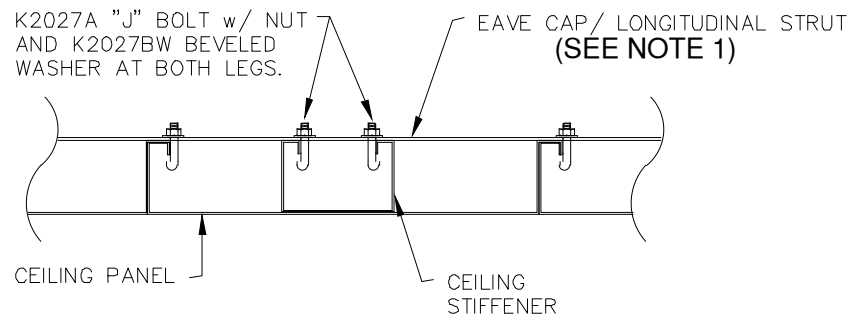


NOTE:
ALWAYS MARK STIFFENER LOCATIONS
FOR FUTURE ATTACHMENT OF ACCESSORIES.



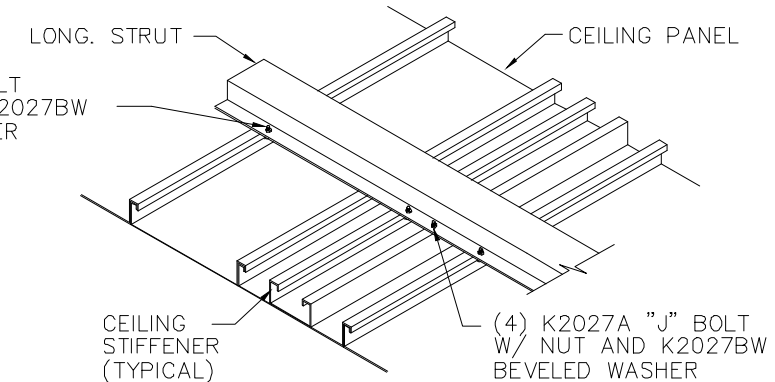
DETAIL AT SIDEWALL
(FULL HEIGHT CEILING)



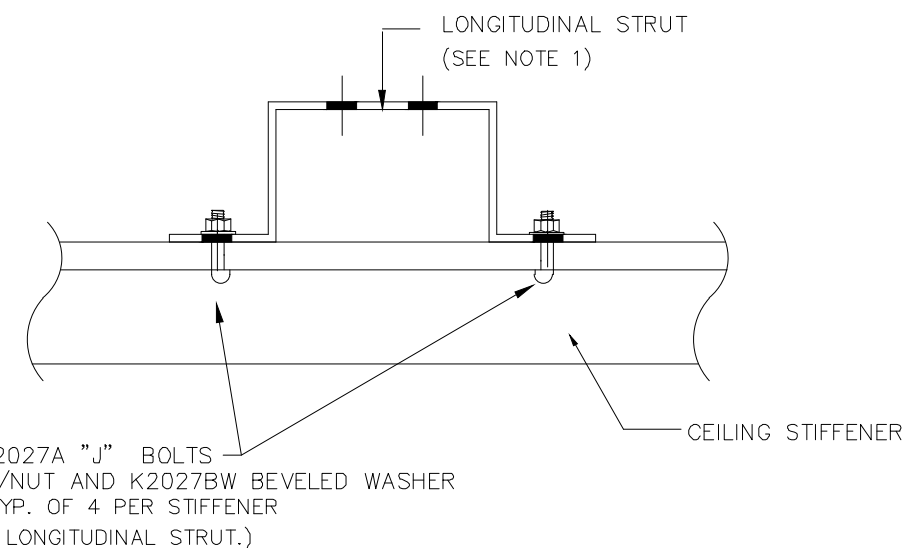
SECTION AT SIDEWALL EAVE CAP
(FULL HEIGHT CEILING)

NOTE:
OMIT 326A WEB STIFFENERS AT
CEILING PANELS WITH CEILING STIFFENERS

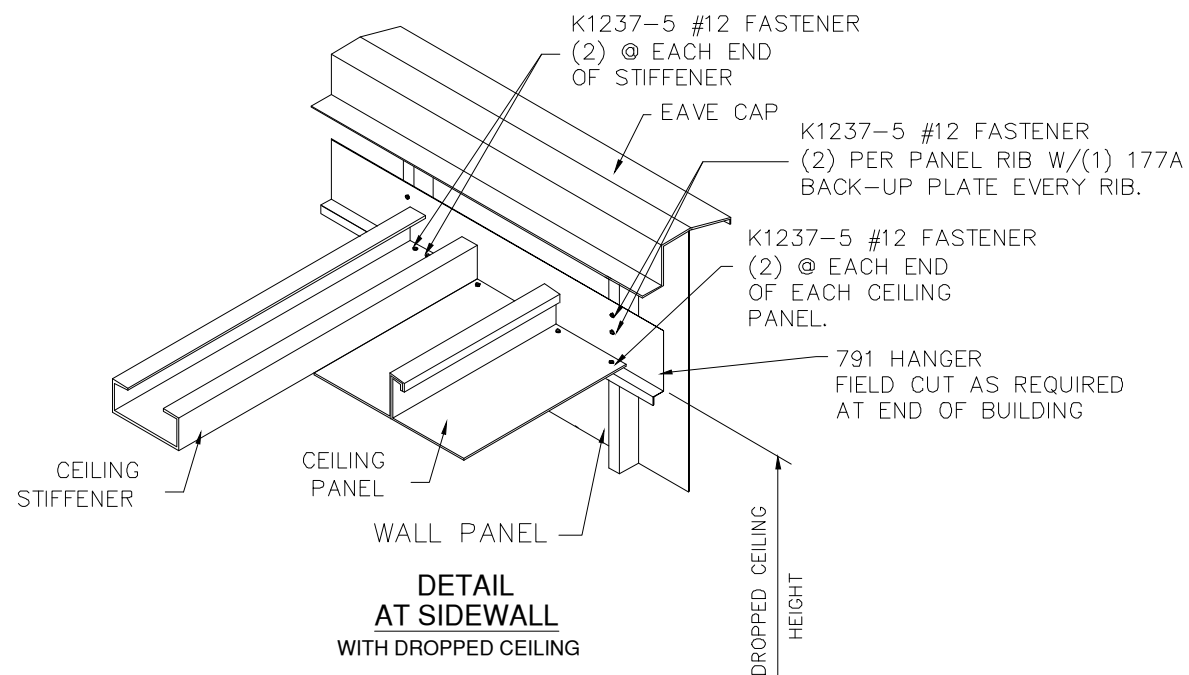
- NOTES:**
- ON BUILDINGS EQUIPPED WITH LONGITUDINAL STRUT ONLY. SEE WINDBRACING DRAWING TO DETERMINE YOUR BUILDING REQUIREMENTS
 - EACH CEILING STIFFENER REQUIRES (4) TOTAL K2027A "J" BOLTS WITH NUT AND K2027BW BEVELED WASHER @ EAVE CAP AND (4) TOTAL @ LONGITUDINAL STRUT, IF LONGITUDINAL STRUT IS USED.
 - REFER TO STANDARD CEILING INSTALLATION DRAWINGS, (CEIL-AL-1 FOR FULL HEIGHT) AND (CEIL-AL-2 FOR DROPPED CEILING) FOR ADDITIONAL CEILING DETAILS.
 - CEILING STIFFENERS MAY ALSO BE USED WITHOUT CEILING PANELS.
 - CEILING STIFFENERS MUST BE INSTALLED SIMULTANEOUSLY WITH CEILING PANELS.



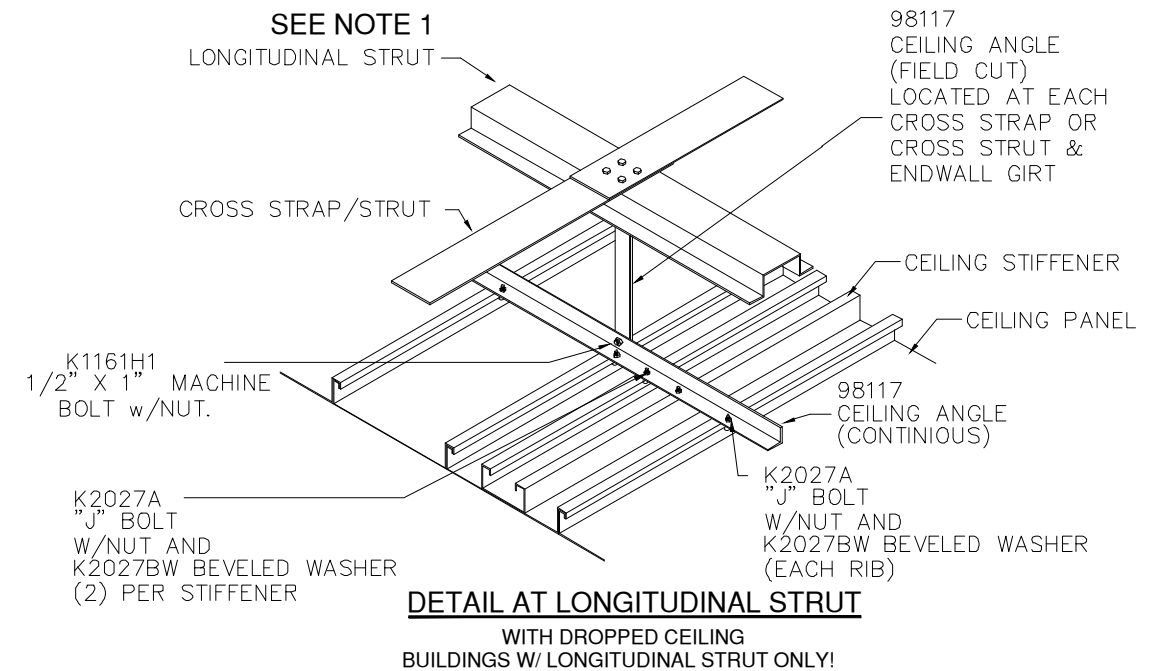
DETAIL AT LONGITUDINAL STRUT
(FULL HEIGHT CEILING)



SECTION THRU LONGITUDINAL STRUT
(FULL HEIGHT CEILING)



DETAIL AT SIDEWALL
WITH DROPPED CEILING



DETAIL AT LONGITUDINAL STRUT
WITH DROPPED CEILING
BUILDINGS W/ LONGITUDINAL STRUT ONLY!

REVISIONS	BY
05-22-03	RAP
07-16-03	RAP
11-02-06	BHKJ

PARKLINE, INC.
P O Box 65 Winfield, WV 25213
phone: (304) 586-2113

CEILING REINFORCEMENT FOR LIGHTING, CABLE TRAYS, ETC. FOR 'AL' TYPE BUILDING

JOB DESCRIPTION

SHEET TITLE

DETAIL

DATE 03-06-03
DRAWN BY CBP
SCALE N.T.S.
ORDER NO.
REVISION 3
DWG. NO. CEIL-AL-STIF