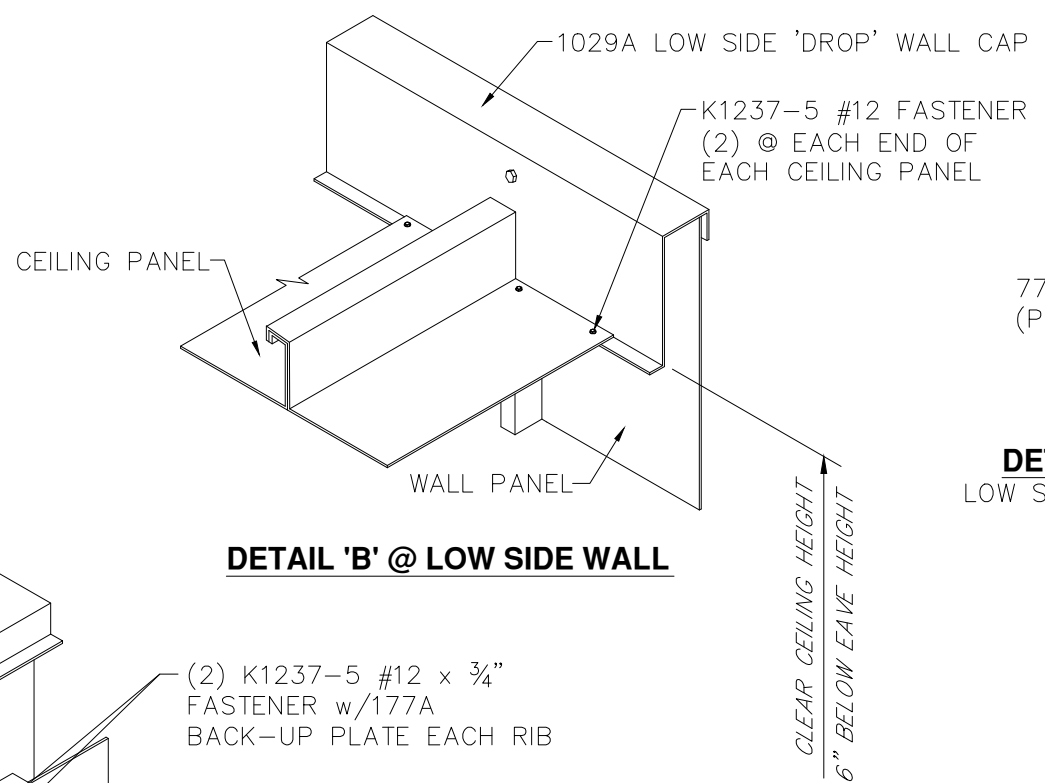
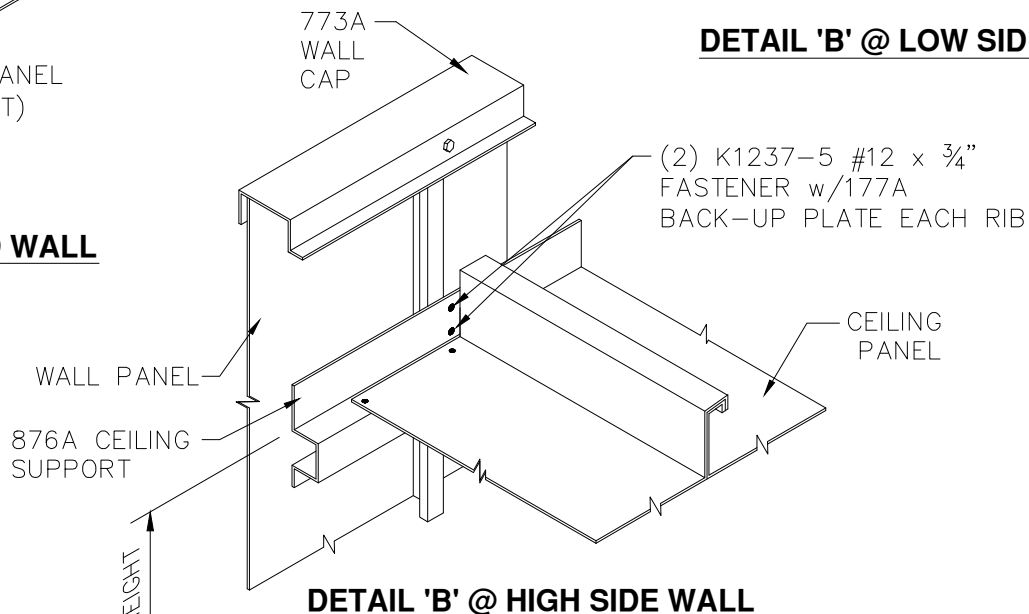


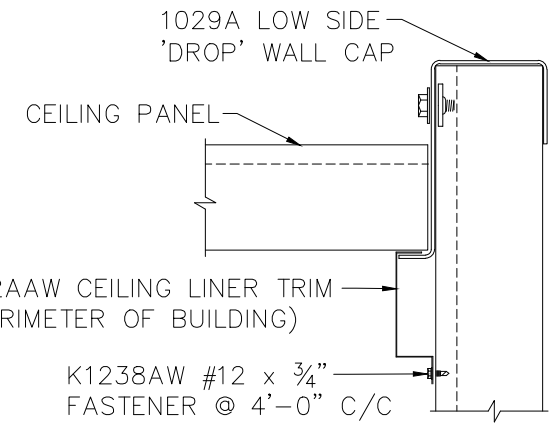
DETAIL 'A' @ END WALL



DETAIL 'B' @ LOW SIDE WALL



DETAIL 'B' @ HIGH SIDE WALL



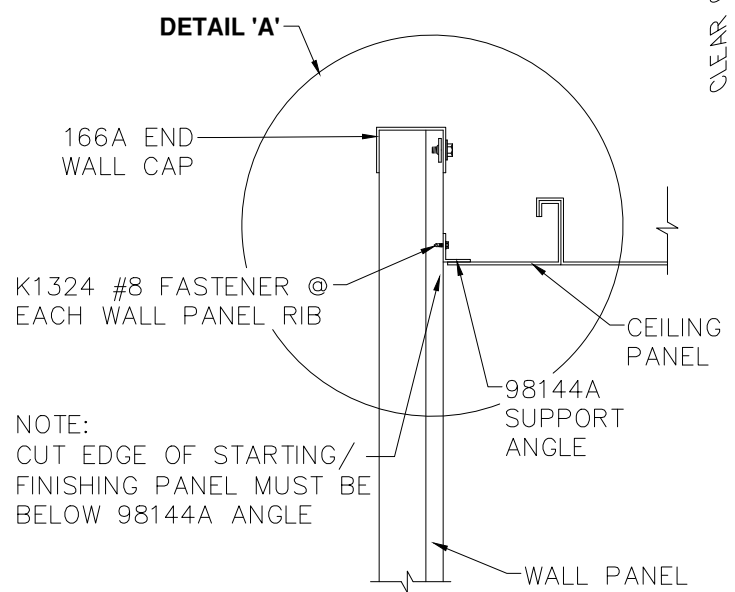
DETAIL 'C' WITH FORMED WALL LINER ONLY
LOW SIDE SHOWN, HIGH SIDE SAME AT 876A SUPPORT.

NOTES:

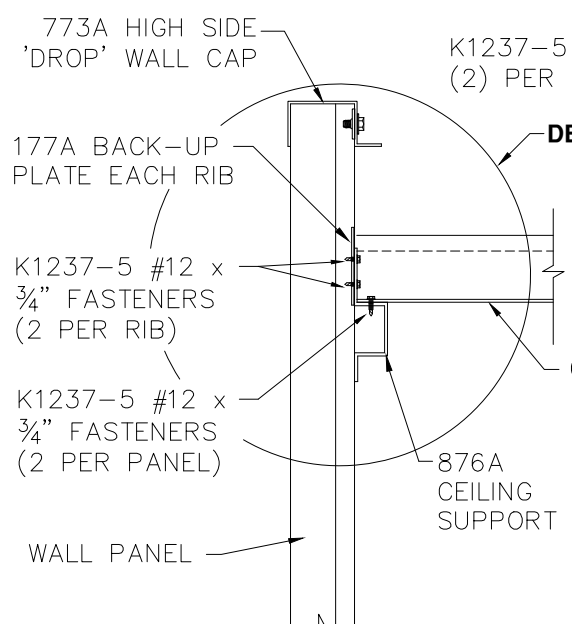
1. THIS DRAWING IS FOR FULL HEIGHT CEILINGS ONLY. 6" BELOW EAVE HEIGHT.
2. INSTALL CEILING PRIOR TO INSTALLATION OF ROOF AND INTERIOR WALL LINER SYSTEM IF USED.
3. IF BUILDING HAS FORMED WALL LINER, 772AAW FORMED LINER TRIM MUST BE INSTALLED BEFORE CEILING PANELS. (SEE DETAIL 'C')
4. IF CEILING STIFFENERS ARE USED, SEE DRAWING **CEIL-S14-STIFF.**
5. IF CEILING HAS OPTIONAL ACCESS PANEL SEE DRAWING **CEIL-ACC.**
6. BUILDINGS WIDER THAN 16'-0", CENTER OF CEILING MUST BE SUPPORTED FROM ROOF. SEE ROOF HANGER DETAILS ON DRAWING **CEIL-ACC.**
7. BUILDINGS REQUIRING WIND BENTS AND FULL HEIGHT CEILING MUST USE A WIND BENT COVER. SEE DETAILS ON DRAWING **CEIL-ACC.**
8. IF ROOF VENTS ARE USED AND VENTILATION IS FOR BUILDING INTERIOR, CEILING REGISTERS MUST BE INSTALLED. SEE DETAILS ON DRAWING **CEIL-ACC.**
9. FIELD CUT STARTING & FINISHING CEILING PANELS TO REQUIRED WIDTH. STANDARD SIZES WOULD BE 4 3/4" OR 12 3/4". REFER TO YOUR JOB SPECIFIC ROOF PLAN FOR A CEILING LAYOUT IF REQUIRED.

INSTALLATION PROCEDURE:

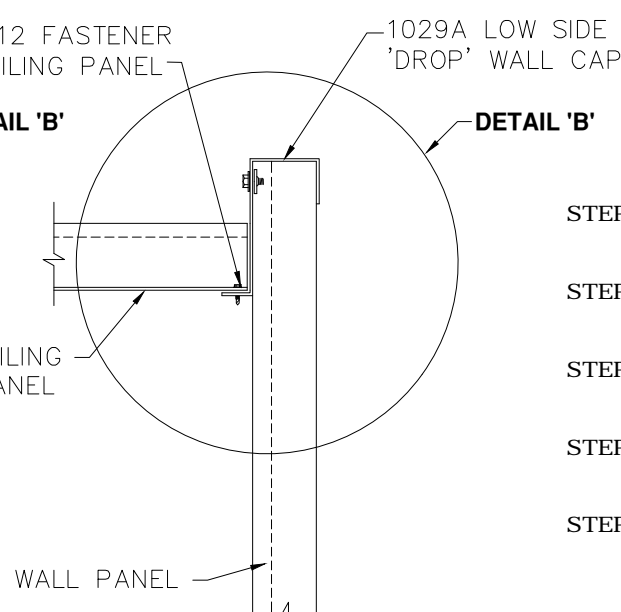
- STEP 1. INSTALL ALL WALLS AND WALL CAPS PER STANDARD WALL ERECTION DRAWING **WALL-S14-PE1**
- STEP 2. INSTALL 98144A SUPPORT ANGLES ON ENDWALLS AT CEILING HEIGHT (SEE DETAIL 'A').
- STEP 3. INSTALL 876A CEILING SUPPORT ON HIGH SIDE WALL. (SEE DETAIL 'B' @ HIGH SIDE)
- STEP 4. START AT EITHER END AND INSTALL FINISHING CEILING PANEL. (SEE DETAIL 'A').
- STEP 5. INSTALL REMAINING FULL CEILING PANELS DOWN BUILDING LENGTH ENDING WITH STARTING PANEL AND ATTACH TO 1029A 'DROP' WALL CAP AND 876A CEILING SUPPORT (SEE DETAIL 'B'). IF CEILING STIFFENERS ARE REQUIRED SEE NOTE 4 ABOVE.
- STEP 6. IF CEILING IS TO BE INSULATED REFER TO THE SPECIFIC BUILDINGS FLOOR PLAN FOR REQUIRED INSULATION THICKNESS. SEE DRAWING LIST FOR REQUIRED INSULATION DRAWING.



SECTION AT END WALL



SECTION AT HIGH SIDE WALL



SECTION AT LOW SIDE WALL

REVISIONS	BY
12-16-10	TLC

PARKLINE, INC.
P O Box 65 Winfield, WV 25213
phone: (304) 586-2113

CEILING INSTALLATION FOR PRE-ERECTED TYPE 'S' BUILDING WITH 1/4" IN 12" ROOF SLOPE, FULL HEIGHT CEILING AND 'DROP' WALL CAP

SECTIONS AND DETAILS

JOB DESCRIPTION

SHEET TITLE

DATE	11-11-10
DRAWN BY	TLC
SCALE	N.T.S.
ORDER NO.	
REVISION	1
DWG. NO.	CEIL-S14-PE1