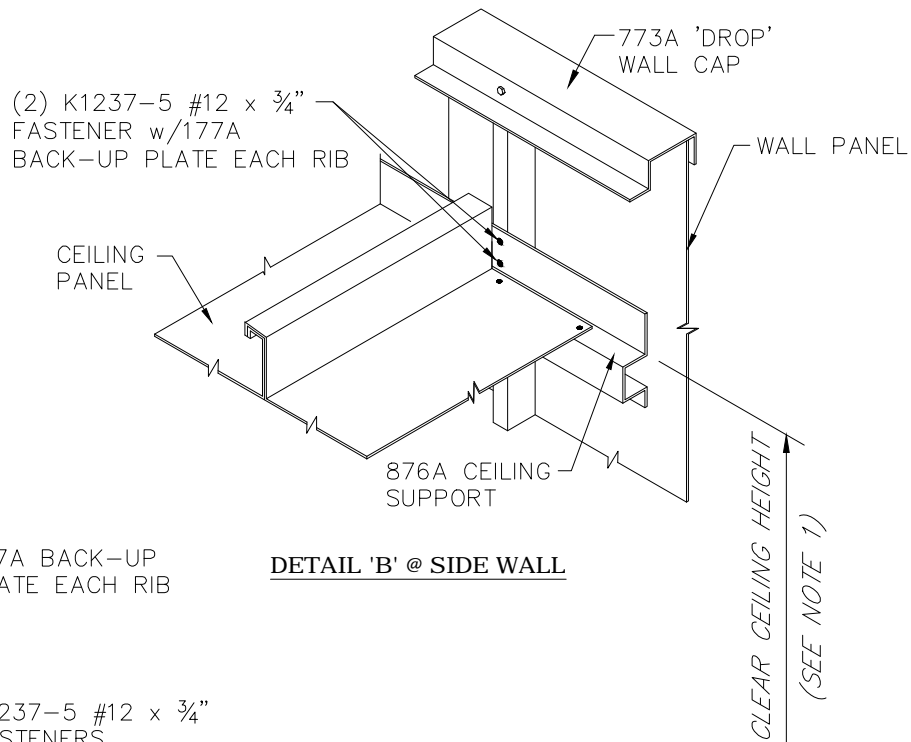
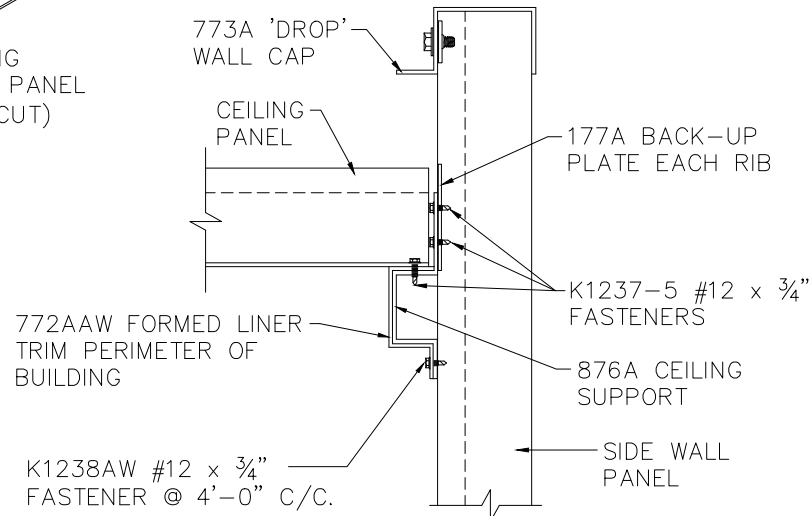


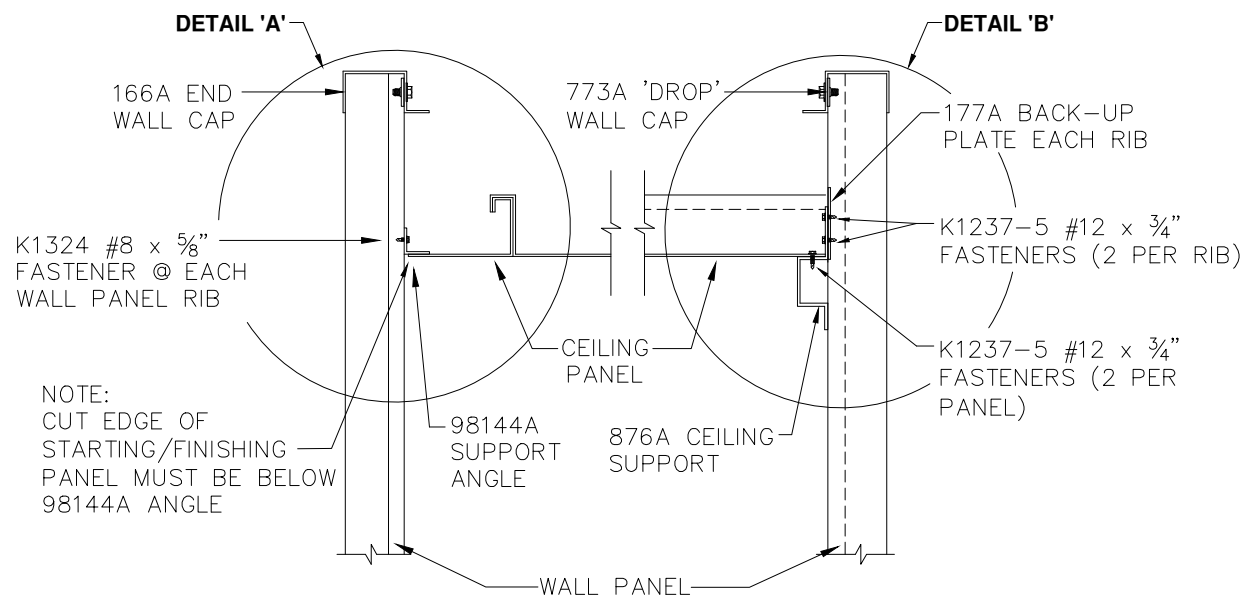
DETAIL 'A' @ END WALL



DETAIL 'B' @ SIDE WALL



DETAIL 'C' @ SIDE WALL WITH FORMED LINER ONLY



SECTION @ END WALL

SECTION @ SIDE WALL

**NOTES:**

1. REFER TO YOUR BUILDING'S SPECIFIC ELEVATION DRAWINGS FOR REQUIRED CLEAR CEILING HEIGHT.
2. THIS SYSTEM IS FOR DROPPED CEILINGS ONLY.
3. INSTALL CEILING PRIOR TO INSTALLATION OF ROOF AND INTERIOR WALL LINER SYSTEM IF USED.
4. IF BUILDING HAS FORMED WALL LINER, 772AAW FORMED LINER TRIM MUST BE INSTALLED BEFORE CEILING PANELS. (SEE DETAIL 'C')
5. IF CEILING STIFFENERS ARE USED, SEE DRAWING **CEIL-S14-STIFF**.
6. IF CEILING HAS OPTIONAL ACCESS PANEL SEE DRAWING **CEIL-ACC**.
7. BUILDINGS WIDER THAN 16'-0", CENTER OF CEILING MUST BE SUPPORTED FROM ROOF. SEE ROOF HANGER DETAILS ON DRAWING **CEIL-ACC**.
8. BUILDINGS REQUIRING WIND BENTS MAY REQUIRE USE OF WIND BENT COVERS DEPENDING ON CEILING HEIGHT. SEE DETAILS ON DRAWING **CEIL-ACC**.
9. IF ROOF VENTS ARE USED AND VENTILATION IS FOR BUILDING INTERIOR, CEILING REGISTERS MUST BE INSTALLED. SEE DETAILS ON DRAWING **CEIL-ACC**.
10. FIELD CUT STARTING & FINISHING CEILING PANELS TO REQUIRED WIDTH. STANDARD SIZES WOULD BE 4 3/4" OR 12 3/4". REFER TO YOUR JOB SPECIFIC ROOF PLAN FOR A CEILING LAYOUT IF REQUIRED.

**INSTALLATION PROCEDURE:**

- STEP 1. INSTALL ALL WALLS AND WALL CAPS PER STANDARD WALL ERECTION DRAWING **WALL-S14-PE2**.
- STEP 2. INSTALL 98144A SUPPORT ANGLES ON END WALLS AT CEILING HEIGHT (SEE DETAIL 'A').
- STEP 3. INSTALL 876A CEILING SUPPORT ON SIDE WALLS AT CEILING HEIGHT (SEE DETAIL 'B').
- STEP 4. START AT EITHER END AND INSTALL FINISHING CEILING PANEL. (SEE DETAIL 'A').
- STEP 5. INSTALL REMAINING FULL CEILING PANELS DOWN BUILDING LENGTH ENDING WITH STARTING PANEL AND ATTACH TO 876A CEILING SUPPORT. (SEE DETAIL 'B'). IF CEILING STIFFENERS ARE REQUIRED SEE NOTE 5 ABOVE.
- STEP 6. IF CEILING IS TO BE INSULATED REFER TO THE SPECIFIC BUILDINGS FLOOR PLAN FOR REQUIRED INSULATION THICKNESS. SEE DRAWING LIST FOR REQUIRED INSULATION DRAWING.

REVISIONS	BY
05-21-12	TLC

**PARKLINE, INC.**  
 RT. 62, ELEANOR INDUSTRIAL PARK  
 ELEANOR, WY 25070  
 EMAIL: PARKLINE@PARKLINE.COM  
 PHONE: 800-786-4855  
 FAX: 304-586-3842  
 ENGINEER: TOM HARDING  
 THARDING@PARKLINE.COM



JOB DESCRIPTION  
**CEILING INSTALLATION FOR TYPE 'S' BUILDING WITH 1/4" IN 12" ROOF SLOPE, DROPPED CEILING AND 'DROP' WALL CAP**  
 SHEET TITLE  
**SECTIONS AND DETAILS**

DATE	11-11-10
DRAWN BY	TLC
SCALE	NTS
ORDER NO.	
REVISION	1

**CEIL-S14-PE2**