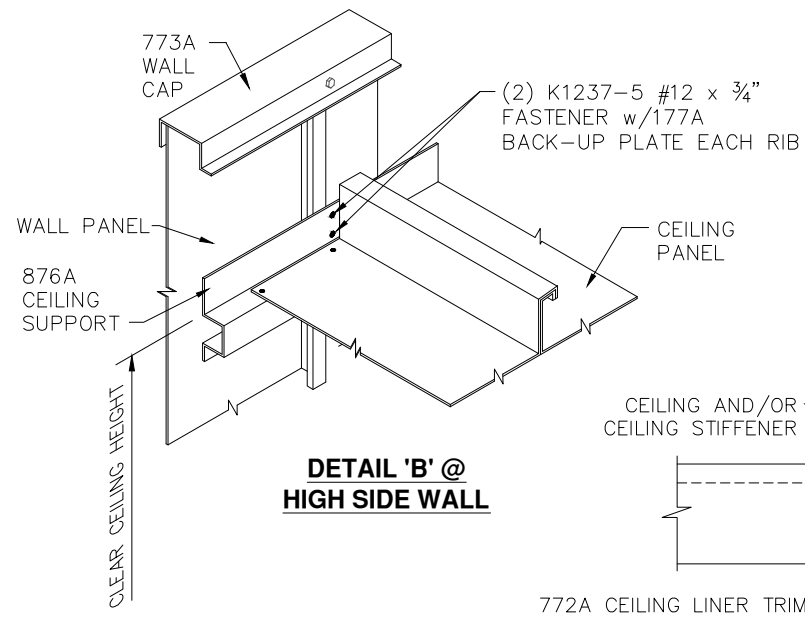
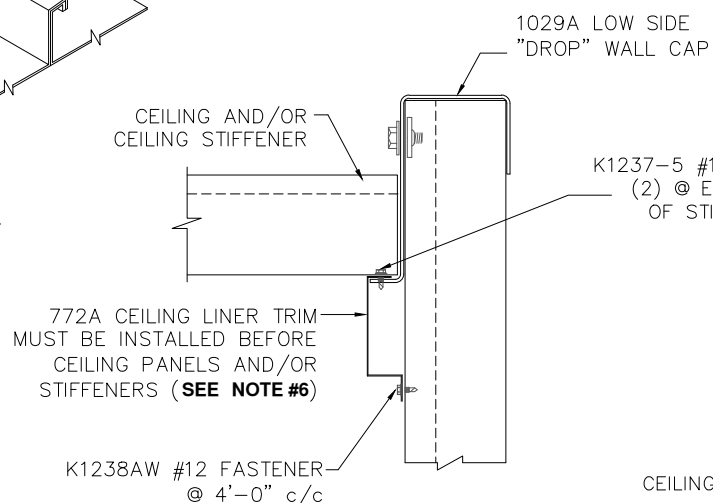


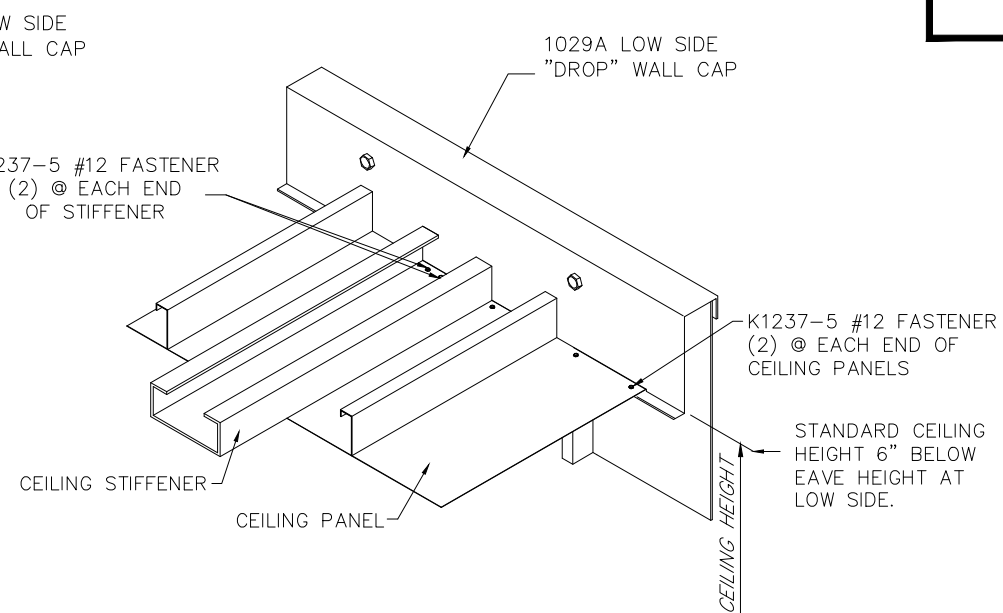
SECTION AT HIGH SIDE WALL



DETAIL 'B' @ HIGH SIDE WALL



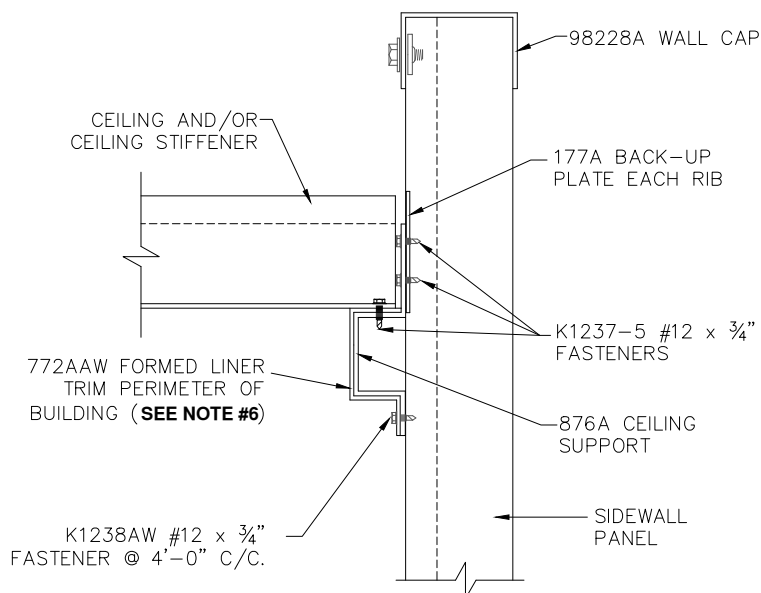
SECTION @ SIDE WALL WITH FULL HEIGHT CEILING (LOW SIDE SHOWN)
REFERENCE CEILING DRAWING #CEILING-S14-PE1



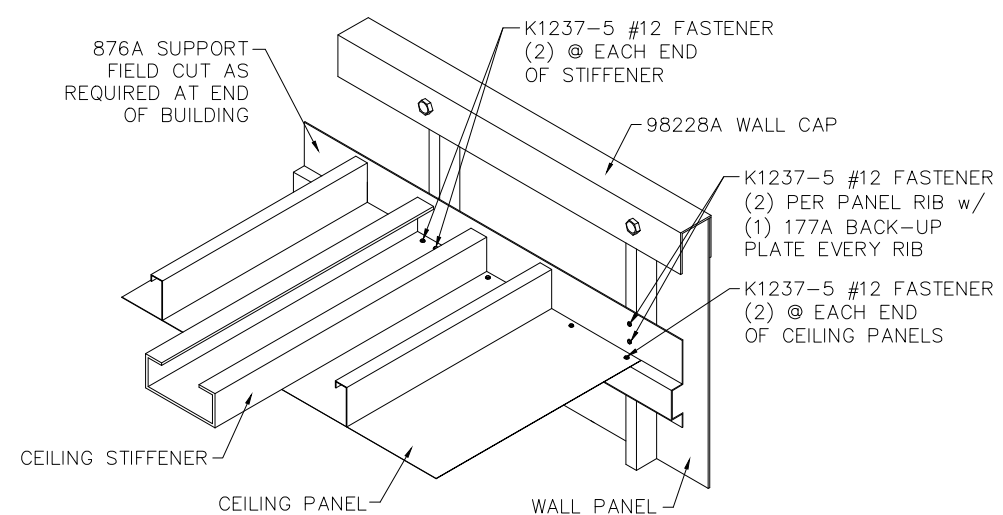
VIEW @ SIDE WALL WITH FULL HEIGHT CEILING (LOW SIDE SHOWN)
REFERENCE CEILING DRAWING #CEIL-S14-PE1

NOTES:

- 1). CEILING STIFFENERS ARE USED WHEN A BUILDING REQUIRES THAT ADDITIONAL LOADS BE SUPPORTED FROM THE CEILING. THE 2 MOST COMMON ITEMS THAT REQUIRE THIS ADDITIONAL SUPPORT ARE ELECTRICAL/LIGHTS AND CABLE TRAY SYSTEMS.
- 2). CEILING STIFFENERS VARY IN SIZE, GAUGE AND NUMBER DEPENDING ON THE LOAD TO BE SUPPORTED.
- 3). CEILING STIFFENERS CAN BE USED WITHOUT A METAL CEILING SYSTEM. INSULATION OF THE STIFFENERS IS THE SAME. WHEN A METAL CEILING IS NOT REQUIRED THE STANDARD CEILING INSTALLATION DRAWINGS WILL STILL BE INCLUDED FOR INSTALLATION DETAILS. THE STANDARD PARKLINE CEILING INSTALLATION DRAWINGS ARE: **CEIL-S14, CEIL-S14-PE1 AND CEIL-S14-PE2**. CHECK YOUR DRAWING COVER SHEET TO SEE WHICH DRAWING HAS BEEN PROVIDED.
- 4). THIS DRAWING SHOWS SOME OF THE BASIC INSTALLATION DETAILS AND SHOULD BE USED WITH THE STANDARD CEILING DRAWINGS CALLED OUT IN #3 AND THE STANDARD WALL ERECTION DRAWING PROVIDED WITH YOUR BUILDING. ALSO REFER TO YOUR JOB SPECIFIC ROOF PLAN DRAWING FOR A CEILING LAYOUT AND STIFFENER LOCATIONS. IF YOU ARE SUPPORTING A CABLE TRAY, THIS INFORMATION MAY BE SHOWN ON A JOB SPECIFIC CABLE TRAY LAYOUT DRAWING.
- 5). CEILING STIFFENERS MUST BE INSTALLED DURING CEILING INSTALLATION. STIFFENERS WILL BE LOCATED IN THE CENTER OF A CEILING PANEL UNLESS INSTRUCTED OTHERWISE. AS A STANDARD PARKLINE DOES NOT PROVIDE ANY HANGING AND ATTACHMENT HARDWARE. THIS IS TO BE PROVIDED BY OTHERS.
- 6). MAKE NOTE THAT IF BUILDING USES FORMED WALL LINER THAT THE 772AAW CEILING TRIM MUST BE INSTALLED BEFORE ATTACHING CEILING AND STIFFENERS.



SECTION @ SIDE WALL WITH ANY CEILING HEIGHT
REFERENCE CEILING DRAWING #CEIL-S14



VIEW @ SIDE WALL WITH ANY CEILING HEIGHT
REFERENCE CEILING DRAWING #CEIL-S14

REVISIONS	BY
05-21-12	TLC

PARKLINE, INC.
RT. 62, ELEANOR INDUSTRIAL PARK
ELEANOR, WY 25070
EMAIL: PARKLINE@PARKLINE.COM
PHONE: 800-786-4855
FAX: 304-586-3842
ENGINEER: TOM HARDING
THARDING@PARKLINE.COM



CEILING REINFORCEMENT FOR LIGHTING CABLE TRAYS, ECT. FOR TYPE 'S' BUILDINGS WITH 1/4" IN 12" ROOF SLOPE

JOB DESCRIPTION

SHEET TITLE

SECTIONS AND DETAIL

DATE	12-14-10
DRAWN BY	TLC
SCALE	N.T.S.
ORDER NO.	
REVISION	1

CEIL-S14-STIFF