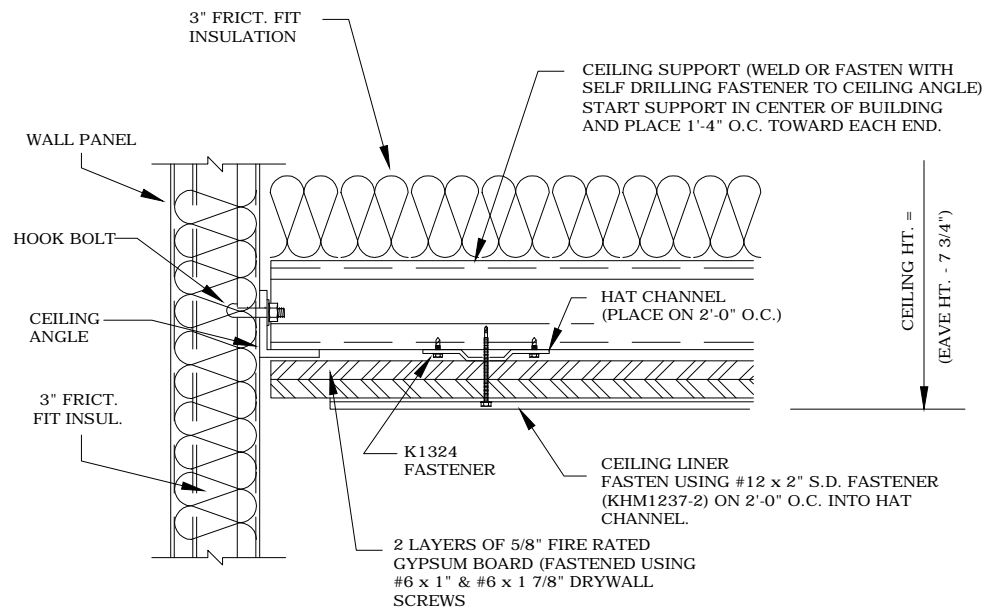
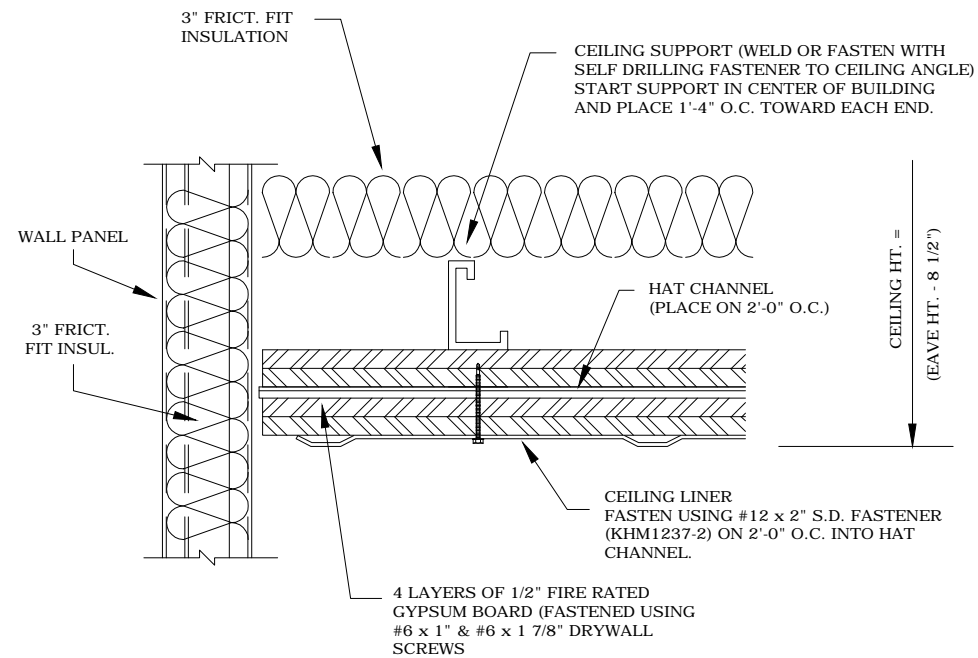


SECTION AT ENDWALL

NOTE:
CEILING LINER MUST BE
INSTALLED BEFORE
INSTALLING WALL LINER.

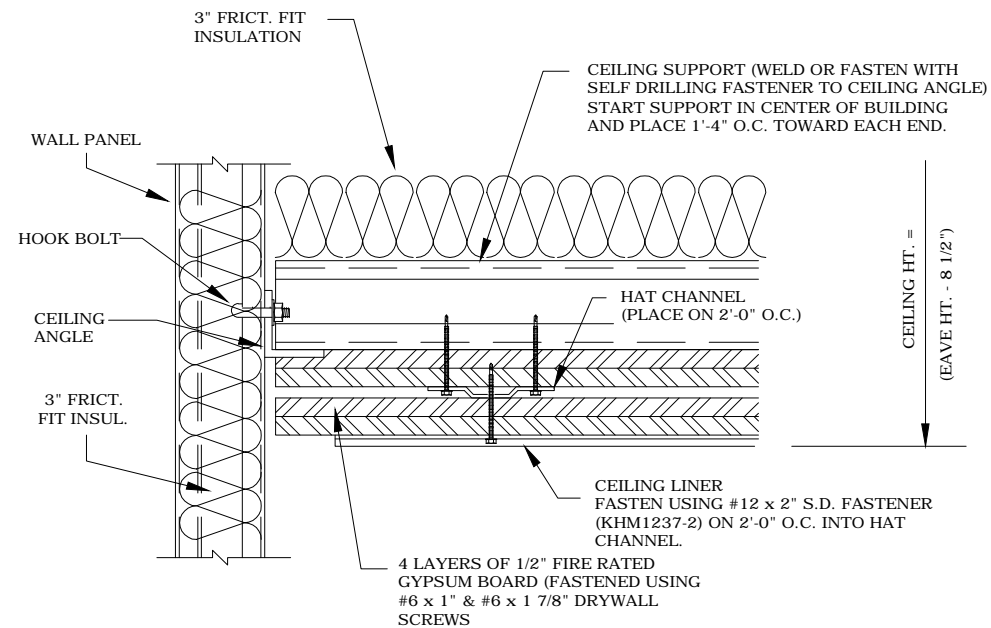


SECTION AT SIDEWALL



SECTION AT ENDWALL

NOTE:
CEILING LINER MUST BE
INSTALLED BEFORE
INSTALLING WALL LINER.



SECTION AT SIDEWALL

REVISIONS	BY
04-30-12	TLC
05-01-2012	KRK
05-14-2012	KRK

PARKLINE, INC.
RT. 62, ELEANOR INDUSTRIAL PARK
ELEANOR, WV 25070
EMAIL: PARKLINE@PARKLINE.COM
PHONE: 800-786-4855
FAX: 304-586-3842
ENGINEER: TOM HARDING
THARDING@PARKLINE.COM



JOB DESCRIPTION FIRE CEILING DETAILS	SHEET TITLE DETAILS FOR CEILING LINER
--	---

DATE	12-30-05
DRAWN BY	DLR
SCALE	NTS
ORDER NO.	
REVISION	3

HM-CEIL